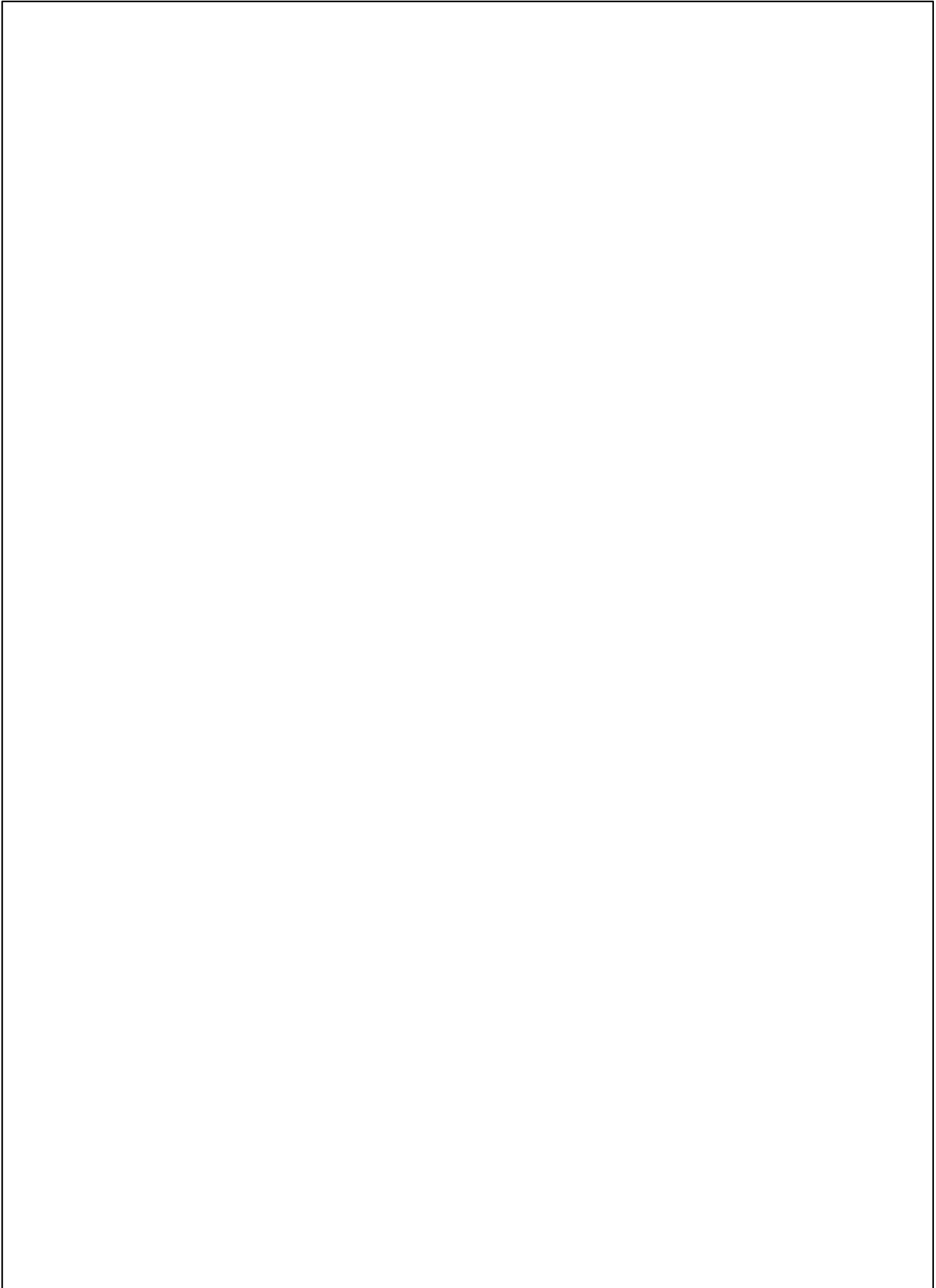


Main Index

ETC Index	Index	Page A01-A02
A ETC	Profiles Specification Pages Technical Information Scale Profile Drawings	Page A03-A08 Page A09-A16 Page A17-A40
B ETC	Accessories Photos & Drawings	Page B03-B32
C ETC	Sections Scale Elevations	Page C03-C61
D ETC	Statics	Page D01-D02
E ETC	Construction Drawings 1 - Corner Jointing 2 - Drainage..... 3 - Transom/Mullion Fixings..... 4 - Hinges - System Parameters 5 - Locking Hardware - System Parameters 6 - Bead & Glazing 7 - Bay Pole Details..... 8 - Miscellaneous.....	Page E03-E06 Page E07-E08 Page E09-E16 Page E17-E21 Page E21-E25 Page E26-E28 Page E29-E32 Page E33-E34
F ETC	Sawing Tables Cutting Information	Page F03-F06



Specification

GENERAL DESCRIPTION

The "Alitherm 600" window system described in this manual is suitable for domestic or commercial applications as replacement windows for existing buildings, and for installation into new buildings.

The system incorporates internally & externally beaded vent frames suitable for cockspur and shootbolt locking.

The low line gaskets and extended polyamide thermal breaks help to provide excellent U Values and Window Energy Rating capable of achieving an 'A' Rating when used in conjunction with the correct double glazed unit. Please refer to the WER calculator for guidance.

Alitherm 600 provides the option of mechanical joints using punch tooling on the majority of sections & crimping corners on all sections.

Kitemark™ Certificate

No. KM 81580

Size Limitations and Performance Characteristics

Alitherm 600 Aluminium Alloy Window System

Window Type	Width (mm) Maximum	Height (mm) Maximum	Weight (kg) Maximum	Area (M ²) Maximum	Friction Stays (up to and including)	Transom/Mullion Length (mm) inc frame - Maximum	Air Permeability classification	Water tightness classification	Resistance to Wind classification	Exposure category as given in Table 1 of BS 6375-1:2009
Sash dimensions for windows with approved sash profiles:										
Projecting top hung Internally beaded	1400	1500	50	-	24"	-	4	7A	AE2400	2000+
Projecting top hung Externally beaded	1400	1500	50	-	24"	-	4	5A	AE2400	2000+
Projecting side hung Internally beaded	1000	1400	40	-	16"	-	4	7A	AE2400	2000+
Projecting side hung Externally beaded	1000	1400	40	-	16"	-	4	5A	AE2400	2000+
Overall dimensions for windows with approved outer frame profiles:										
Fixed Internally Beaded	2100	2100	-	4.2	-	-	4	7A	AE2400	2000+
Fixed Externally Beaded	2100	2100	-	4.2	-	-	4	5A	AE2400	2000+
Overall dimensions for approved outer frames & transom/mullion profiles:										
Multilight* Internally Beaded	2100	2100	-	2.5	-	1200	4	7A	AE2400	2000+
Multilight* Externally Beaded	2100	2100	-	2.5	-	1200	4	5A	AE2400	2000+

*Transom/mullion subject to lxx/lyy requirements

Please see pages B24, 25 & 26 for more guidance on vent sizes & limitations.

Specification

PROFILE SPECIFICATION

The window frame are constructed of aluminium alloy extrusion to BS EN 755-9 and BS EN 12020, extruded from 6063 T6 alloy. The internal and external extrusions are separated with a polyamide thermal break.

The external aluminium alloy extrusion is pre-treated and finished either:-

- a) Anodised to BS 3987: 1987, grade AA25 to a natural self colour.
- b) Polyester powder organic coating to BS 6496. Dual colour is available.

GENERAL MANUFACTURING

Outer and vent frames are made by cutting the frame profiles with accurate 45° mitred ends using Tungsten Carbide Tipped Saw Blades, operating at approximately 3000 rpm.

The corner joints can be made using mechanically fixed corner cleats by punching the corners using the relevant punch tooling shown in section E of this manual. Alternatively, the corners can be joined using the Alitherm 600 crimping tools to form a cold forged corner joint (made by deforming small slugs of metal into the groove of the corner cleat). All joints should be sealed using an adequate sealant.

The ends of transoms and mullions are profiled to fit the frame and fixed using self-tapping screws with a silicone seal.

On polyester powder coated finishes, great care should be taken to avoid getting gap sealer on visible surfaces and should be removed as soon as possible with a clean cloth.

Care should be exercised when using products not supplied by Smart Systems Ltd as no responsibility can be accepted.

Specification

WINDOW DRAINAGE

As with all dry glazed systems, it is recommended that the window system is adequately drained and ventilated. Refer to drainage details in manual, if in doubt ask The Technical Department.

In order to get maximum performance and weather resistance it is recommended that drips are used over all vents.

OUTER FRAME MANUFACTURING INFORMATION

The outer frame members are cut with 45° mitred ends to the overall size required, measured to the longest point of the metal.

Prior to corner crimping the centre line position of any transoms or mullions should be marked on the outer frame members. Where the transom/mullion runs right through, it should be marked out on both jambs or head and cill members in pairs to ensure accurate alignment of the sections.

Using the marked centre line, Drill the transom/mullion fixing holes using a 5mm dia. drill bit.

Corners are formed by coating the cut faces to be joined with a suitable small gap sealer and by applying a cleat glue into the cleat chamber. Into the mitred corner insert the required corner cleats and, where required, the aluminium corner chevrons. The two mitred ends are then brought together and crimped or mechanically joined. The small gap sealer ensures a permanent joint and guards against the ingress of moisture and joint movement. After joining the corners, special care should be taken to ensure any excess sealer is removed from painted surfaces.

Transoms or mullions are cut with square ends to the sizes calculated on the cutting formula sheets. The ends are then profiled to allow them to fit into the outer frame. Special tooling is available on request to profile the end of transom/mullion.

Prior to fixing of transoms and mullions smear the cut ends with a suitable gap sealer. After fixing, special care should be taken to ensure any excess is cleared from painted surfaces.

Specification

INTERNALLY BEADED VENT

Corners are formed by coating the cut faces to be joined with a suitable gap sealer and by applying a cleat glue into the cleat chamber. In the mitred corner insert the required corner cleats and chevrons. The mitred ends are then brought together and crimped or mechanically joined. The small gap sealer ensures a permanent joint and guards against the ingress of moisture and joint movement. Care should be taken to ensure any excess sealer is removed from the surfaces.

The cutting sizes produce vent frames with a cavity of 14mm or 17mm.

When fixing, the friction stays into both the outer and vent frame, care should be taken to ensure that holes are located on 'V' grooves in the aluminium extrusions.

INTERNALLY BEADED ADAPTOR FRAME

The internally beaded adaptor frame members are cut with 45° mitred ends to the overall size required, measured to the longest point of metal. Care should be taken when measuring and cutting the frame members as only nominal clearance is required when the assembled frame is fixed in the outer frame.

Corners are formed by coating the cut faces to be joined with a suitable small gap sealer and by applying a cleat glue into the cleat chamber. Into the mitred corner insert a corner cleat and the required corner chevrons. The small gap sealer ensures a permanent joint and guards against the ingress of moisture and joint movements. Care should be taken to ensure any excess sealer is removed from painted surfaces.

Specification

MULTI-POINT LOCKING

The vent should be prepped for the locking mechanism prior to fabrication and fitted into vent before hanging. Stainless steel fixing should be used for securing the locking mechanism and keeps in position.

TOP HUNG VENTILATORS WHEN USING COCKSPUR HANDLES

If the width of the ventilator frame is less than 750mm, fit one handle.

If the width of the ventilator is greater than 750mm, fit two handles.

SIDE HUNG VENTILATORS WHEN USING COCKSPUR HANDLES

If the height of the ventilator frame is less than 750mm, fit one handle.

If the height of the ventilator is greater than 750mm, fit two handles.

GLAZING

All beads are cut to suit the glazing aperture on the fully assembled window for glazing either at factory or on site as required. It is advisable to use a gasket roller when using low-line gaskets to ensure a neat finish.

INTERNALLY BEADED GLAZING

Glazing beads are fitted to openings by cutting the horizontal beads square to head and cill of each vent and fixed light area. Vertical beads are cut square at both ends. Insert bottom beads and two setting blocks to ensure glass will be centralised in vertical dimension of opening (glazing blocks must be full width of cavity to fully support glass or sealed unit), then insert top bead followed by side beads. Finish glazing by insertion of internal gaskets all round. Note that a small notch is required to the beads ETC367 & ETC273 when used with ETC621 vent as shown in section E.

For maximum weather performance, apply silicone to the full width of the bottom bead and 100mm up from the bottom of the vertical beads.

Specification

The below is a summary of the sliding door testing under Kitemark Licence Number: KM81580. The full details may be downloaded from www.smartsystems.co.uk

Alitherm 600 Window Weather Performance (BS6375-1:2009)

BS EN 1026: 2000 Air Permeability:	Class 4 600Pa
BS EN 1027: 2000 Watertightness:	Class E 1200Pa
BS EN 12211: 2000 Resistance to Wind Load:	Class E 2400Pa

Alitherm 600 Operational Performance (BS6375-2:2009)

Alitherm 600 has passed the operational & strength requirements of BS6375-2

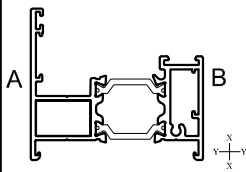
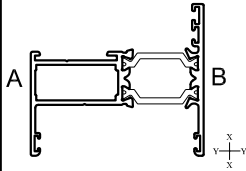
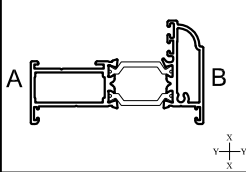
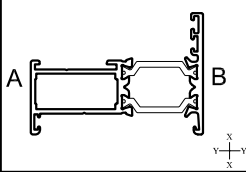
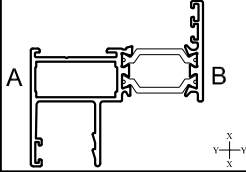
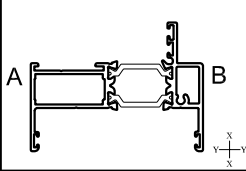
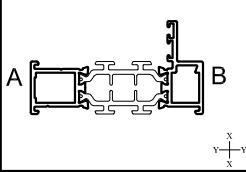
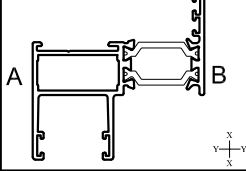
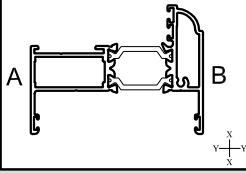
Alitherm 600 Window Security (PAS24:2012)

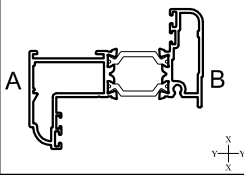
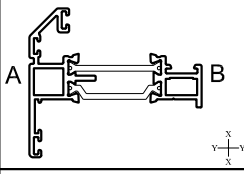
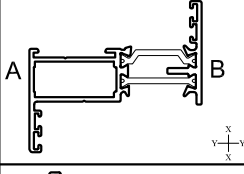
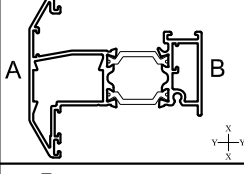
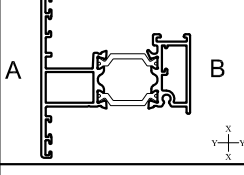
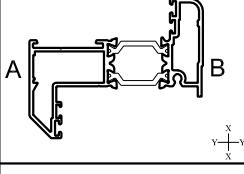
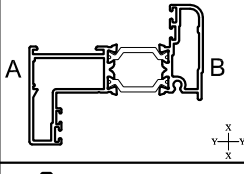
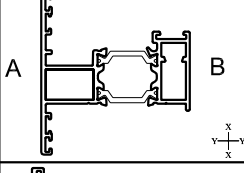
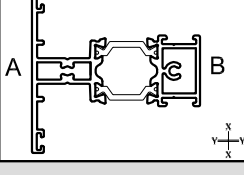
Internally beaded top hung & side hung sashes have successfully tested to BS7950. Please contact our Technical Department (T:01934 876100) for further information.

Alitherm 600 Window U Values

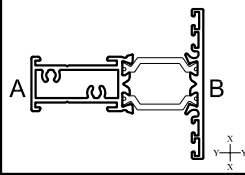
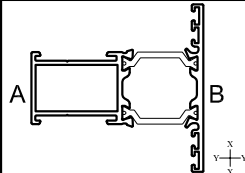
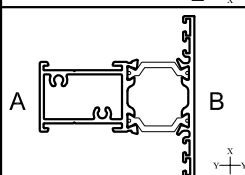
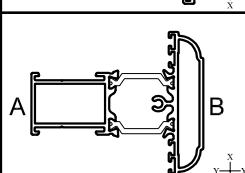
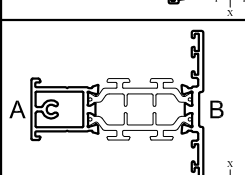
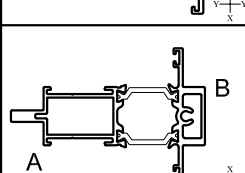
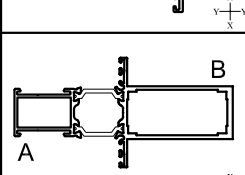
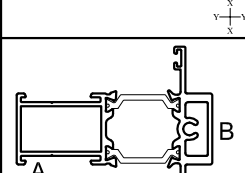
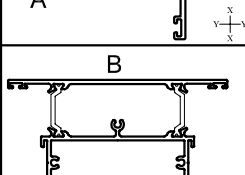
Please refer to the Smart Systems' Document L White Paper or contact the Technical Department.

PROFILES : SPECIFICATION

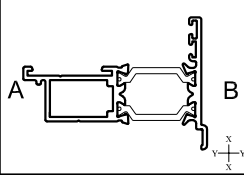
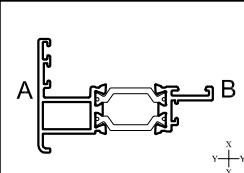
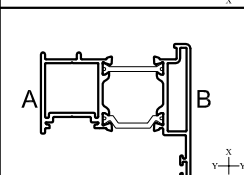
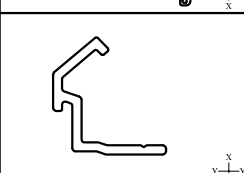
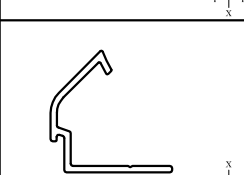
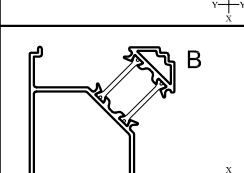
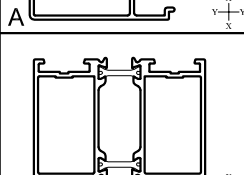
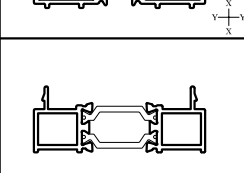
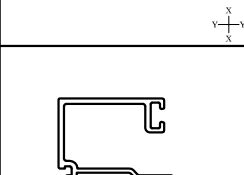
Number	Picture	Page	Perim. mm	Mec. mm	lx(cm4) wx(cm3)	ly(cm4) wy(cm3)	Length	Pack pr.	MF	SA	KL	HP	M	
ETC6101		A17	363	93	20.80 ----- 6.71	5.94 ----- 2.91	6.5	1	✓	✓	✓	✓	✓	
ETC610		A17	358	94	17.66 ----- 5.45	4.72 ----- 1.77	6.5	1	✓	✓	✓	✓	✓	
ETC611		A17	327	79	22.60 ----- 5.69	3.80 ----- 2.12	6.5	1	✓	✓	✓	✓	✓	
ETC612		A18	309	74	14.81 ----- 4.53	2.72 ----- 1.58	6.5	1	✓	✓	✓	✓	✓	
ETC613		A18	364	84	16.14 ----- 5.00	6.01 ----- 2.11	6.5	1	✓	✓	✓	✓	✓	
ETC614		A18	377	113	25.44 ----- 6.62	4.75 ----- 1.88	6.5	1	✓	✓	✓	✓	✓	
ETC615		A19	269	81	19.74 ----- 5.16	2.35 ----- 1.74	6.5	1	✓	✓	✓	✓	✓	
ETC616		A19	376	84	16.06 ----- 5.05	6.18 ----- 2.19	6.5	1	✓	✓	✓	✓	✓	
ETC619		A19	374	86	26.66 ----- 6.76	5.68 ----- 2.17	6.5	1	✓	✓	✓	✓	✓	
								A = Outside B = Inside		GOZ = Gold W = White Z = Black		MF = Mill Finish SA = Silver Anodised KL = Basic Colour HP = Special Colour M = Dual Colour		

Number	Picture	Page	Perim. mm	Mec. mm	lx(cm4) wx(cm3)	ly(cm4) wy(cm3)	Length	Pack pr.	MF	SA	KL	HP	M				
ETC620		A20	354	104	25.82 ----- 7.39	7.07 ----- 2.65	6.5	1	✓	✓	✓	✓	✓				
ETC621		A20	338	83.60	14.61 ----- 3.86	3.8 ----- 1.57	6.5	1	✓	✓	✓	✓	✓				
ETC622		A20	336	83	16.45 ----- 5.49	3.61 ----- 1.41	6.5	1	✓	✓	✓	✓	✓				
ETC623		A21	410	111	28.50 ----- 7.49	10.17 ----- 3.17	6.5	1	✓	✓	✓	✓	✓				
ETC624		A21	405	107	22.15 ----- 6.47	7.96 ----- 2.46	6.5	1	✓	✓	✓	✓	✓				
ETC625		A22	352	103	26.92 ----- 7.33	7.60 ----- 2.87	6.5	1	✓	✓	✓	✓	✓				
ETC627		A22	357	103	26.67 ----- 7.75	7.75 ----- 2.84	6.5	1	✓	✓	✓	✓	✓				
ETC628		A23	397	107	21.67 ----- 6.24	7.93 ----- 2.44	6.5	1	✓	✓	✓	✓	✓				
ETC6301		A24	380	92	19.87 ----- 5.81	5.28 ----- 1.82	6.5	1	✓	✓	✓	✓	✓				
									A = Outside B = Inside			GOZ = Gold W = White Z = Black			MF = Mill Finish SA = Silver Anodised KL = Basic Colour HP = Special Colour M = Dual Colour		

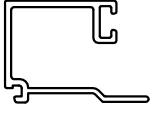
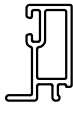
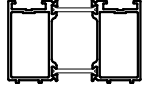
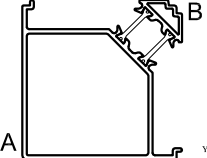
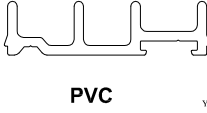
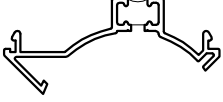
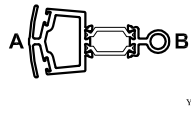

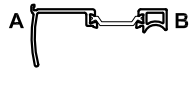
PROFILES : SPECIFICATION

Number	Picture	Page	Perim. mm	Mec. mm	lx(cm4) wx(cm3)	ly(cm4) wy(cm3)	Length	Pack pr.	MF	SA	KL	HP	M
ETC630		A24	342	84	16.25 ----- 4.73	3.57 ----- 1.38	6.5	1	✓	✓	✓	✓	✓
ETC631		A24	366	95	16.68 ----- 4.70	5.59 ----- 1.92	6.5	1	✓	✓	✓	✓	✓
ETC632		A25	366	93	18.04 ----- 5.31	5.68 ----- 1.96	6.5	1	✓	✓	✓	✓	✓
ETC633		A25	421	78	24.47 ----- 5.76	8.41 ----- 2.90	6.5	1	✓	✓	✓	✓	✓
ETC634		A26	302	116	18.15 ----- 5.35	3.81 ----- 1.40	6.5	1	✓	✓	✓	✓	✓
ETC635		A26	395	137	36.62 ----- 7.34	6.13 ----- 2.12	6.5	1	✓	✓	✓	✓	✓
ETC636		A27	349	204	84.97 ----- 13.57	9.99 ----- 3.45	6.5	1	✓	✓	✓	✓	✓
ETC638		A27	368	110	23.47 ----- 5.63	6.12 ----- 2.11	6.5	1	✓	✓	✓	✓	✓
ETC639		A28	588	194	34.49 ----- 10.71	57.72 ----- 10.59	6.5	1	✓	✓	✓	✓	✓
									A = Outside B = Inside	GOZ = Gold W = White Z = Black	MF = Mill Finish SA = Silver Anodised KL = Basic Colour HP = Special Colour M = Dual Colour		

PROFILES : SPECIFICATION

Number	Picture	Page	Perim. mm	Mec. mm	lx(cm4) wx(cm3)	ly(cm4) wy(cm3)	Length	Pack pr.	MF	SA	KL	HP	M		
ETC645		A31	293	56	11.88 ----- 3.30	2.45 ----- 1.21	6.5	1	✓	✓	✓	✓	✓		
ETC647		A31	284	44	10.15 ----- 4.59	1.74 ----- 1.04	6.5	1	✓	✓	✓	✓			
ETC648		A31	333	97	19.64 ----- 5.84	6.87 ----- 3.17	6.5	1	✓	✓	✓	✓	✓		
ETC650		A39	84	19	- ----- -	- ----- -	6.5	1	✓	✓	✓	✓			
ETC651		A39	128	32	- ----- -	- ----- -	6.5	1	✓	✓	✓	✓			
ETC655		A38	370	111	23.17 ----- 7.29	23.17 ----- 7.65	6.5	1	✓	✓	✓	✓	✓		
ETC656N		A38	356	85	18.16 ----- 5.97	10.65 ----- 5.01	6.5	1	✓	✓	✓	✓	✓		
ETC660		A38	220	34	10.78 ----- 3.62	0.93 ----- 1.02	6.5	1	✓	✓	✓	✓	✓		
ETC664		A32	166	77	- ----- -	- ----- -	6.5	1	✓	✓	✓	✓			
									A = Outside B = Inside		GOZ = Gold W = White Z = Black		MF = Mill Finish SA = Silver Anodised KL = Basic Colour HP = Special Colour M = Dual Colour		

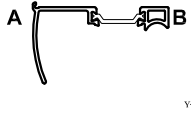
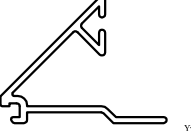
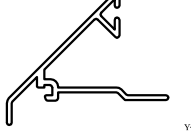
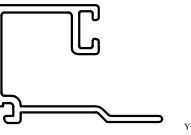
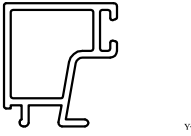
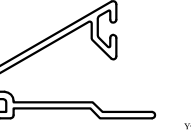
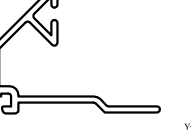
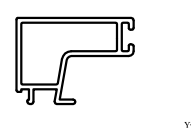
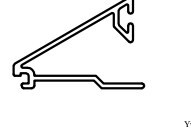
PROFILES : SPECIFICATION

Number	Picture	Page	Perim. mm	Mec. mm	lx(cm4) wx(cm3)	ly(cm4) wy(cm3)	Length	Pack pr.	MF	SA	KL	HP	M
ETC665		A32	158	38	- ----- -	- ----- -	6.5	1	✓	✓	✓	✓	
ETC667		A34	78	24	- ----- -	- ----- -	6.5	1	✓	✓	✓	✓	
DV515		A30	356	85	27.16 ----- 7.76	14.38 ----- 6.75	6.5	1	✓	✓	✓	✓	✓
ETC048		A29	414	140	42.6 ----- 5.9	42.6 ----- 5.9	6.5	1	✓	✓	✓	✓	✓
ETC052		A29	242	-	- ----- -	- ----- -	4	1	✓				
ETC150		A29	282	36	11.28 ----- 3.22	1.12 ----- 0.74	6.5	1	✓	✓	✓	✓	
ETC080		A40	334	61	25.58 ----- 5.47	4.88 ----- 2.57	6.5	1	✓	✓	✓	✓	✓
ETC081		A40	197	35	13.85 ----- 3.8	0.36 ----- 0.52	6.5	1	✓	✓	✓	✓	✓
ETC082		A40	221	47	16.21 ----- 4.19	1.15 ----- 1.29	6.5	1	✓	✓	✓	✓	✓

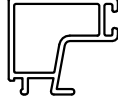

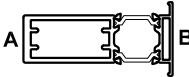

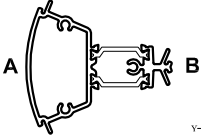



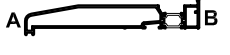
A = Outside
B = Inside

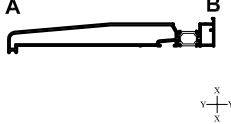
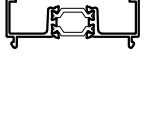
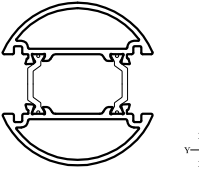
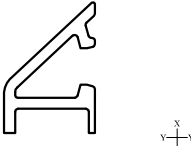
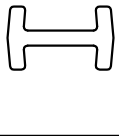
GOZ = Gold
W = White
Z = Black

MF = Mill Finish
SA = Silver Anodised
KL = Basic Colour
HP = Special Colour
M = Dual Colour

Number	Picture	Page	Perim. mm	Mec. mm	Ix(cm4) wx(cm3)	Iy(cm4) wy(cm3)	Length	Pack pr.	MF	SA	KL	HP	M	
ETC083		A40	243	58	17.66 ----- 4.32	2.64 ----- 2.36	6.5	1	✓	✓	✓	✓	✓	
ETC262		A33	131	25	- ----- -	- ----- -	6.5	1	✓	✓	✓	✓		
ETC263		A33	161	39	- ----- -	- ----- -	6.5	1	✓	✓	✓	✓		
ETC265		A33	152	35	- ----- -	- ----- -	6.5	1	✓	✓	✓	✓		
ETC267		A34	90	32	- ----- -	- ----- -	6.5	1	✓	✓	✓	✓		
ETC268		A32	142	31	- ----- -	- ----- -	6.5	1	✓	✓	✓	✓		
ETC269		A33	127	24	- ----- -	- ----- -	6.5	1	✓	✓	✓	✓		
ETC270		A34	106	40	- ----- -	- ----- -	6.5	1	✓	✓	✓	✓		
ETC271		A32	146	32	- ----- -	- ----- -	6.5	1	✓	✓	✓	✓		
								A = Outside B = Inside		GOZ = Gold W = White Z = Black		MF = Mill Finish SA = Silver Anodised KL = Basic Colour HP = Special Colour M = Dual Colour		

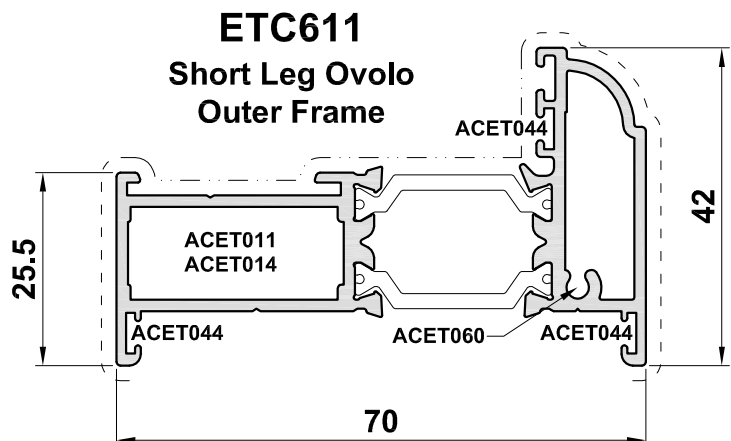
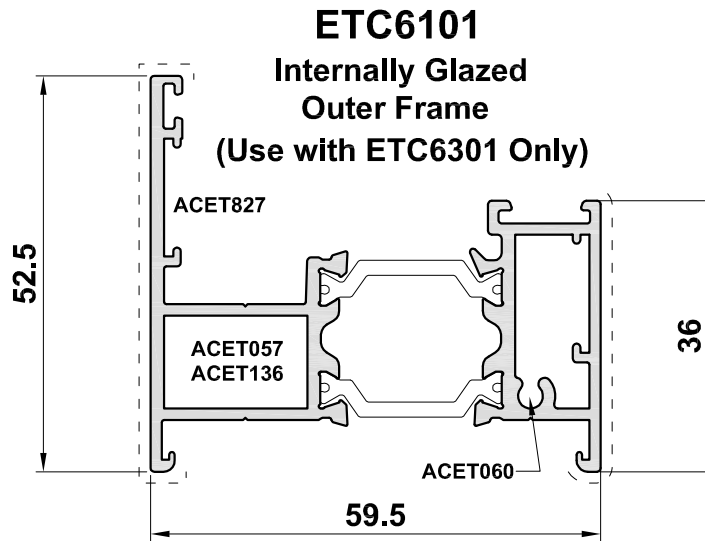
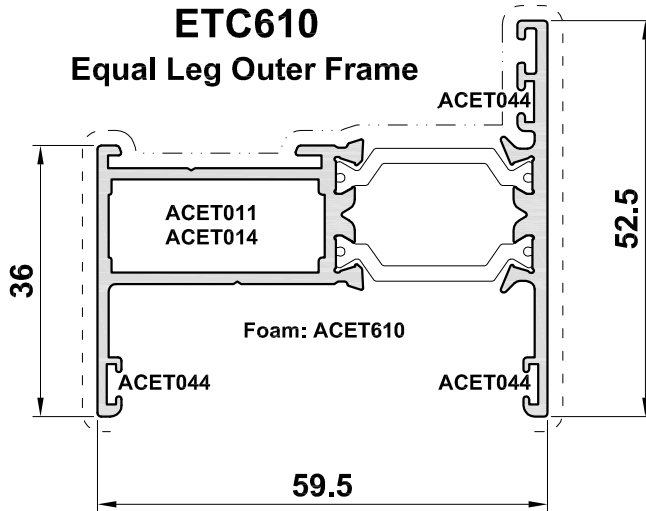
PROFILES : SPECIFICATION

Number	Picture	Page	Perim. mm	Mec. mm	lx(cm4) wx(cm3)	ly(cm4) wy(cm3)	Length	Pack pr.	MF	SA	KL	HP	M
ETC272		A34	98	36	- ----- -	- ----- -	6.5	1	✓	✓	✓	✓	
ETC273		A35	88	30	- ----- -	- ----- -	6.5	1	✓	✓	✓	✓	
ETC357		A30	298	73	41.51 ----- 9.86	5.20 ----- 2.67	6.5	1	✓	✓	✓	✓	✓
ETC367		A35	89	32	- ----- -	- ----- -	6.5	1	✓	✓	✓	✓	
ETC385		A39	357	65	26.65 ----- 6.53	12.38 ----- 3.83	6.5	1	✓	✓	✓	✓	✓
ETC451		A36	304	109	32.44 ----- 7.29	3.46 ----- 2.79	6.5	1	✓	✓	✓	✓	✓
ETC452		A36	414	197	122.46 ----- 18.03	6.01 ----- 3.34	6.5	1	✓	✓	✓	✓	✓
ETC457		A37	444	212	163.27 ----- 21.60	6.79 ----- 3.73	6.5	1	✓	✓	✓	✓	✓
ETC458		A37	524	252	313.62 ----- 32.63	8.87 ----- 4.79	6.5	1	✓	✓	✓	✓	✓
									A = Outside B = Inside	GOZ = Gold W = White Z = Black	MF = Mill Finish SA = Silver Anodised KL = Basic Colour HP = Special Colour M = Dual Colour		

Number	Picture	Page	Perim. mm	Mec. mm	lx(cm4) wx(cm3)	ly(cm4) wy(cm3)	Length	Pack pr.	MF	SA	KL	HP	M
ETC479		A37	594	287	501.64 ----- 44.04	9.72 ----- 5.34	6.5	1	✓	✓	✓	✓	✓
ETC559		A30	318	41	15.75 ----- 4.5	1.17 ----- 0.98	6.5	1	✓	✓	✓	✓	✓
ETC869		A39	332	157	19.10 ----- 6.37	14.78 ----- 5.34	6.5	1	✓	✓	✓	✓	✓
VL72		A39	101	32	- ----- -	- ----- -	6.5	5	✓	✓	✓	✓	
VL75		A39	54	54	- ----- -	- ----- -	6.5	1	✓				
									A = Outside B = Inside	GOZ = Gold W = White Z = Black	MF = Mill Finish SA = Silver Anodised KL = Basic Colour HP = Special Colour M = Dual Colour		

Primary Visible Side

Secondary Visible Side

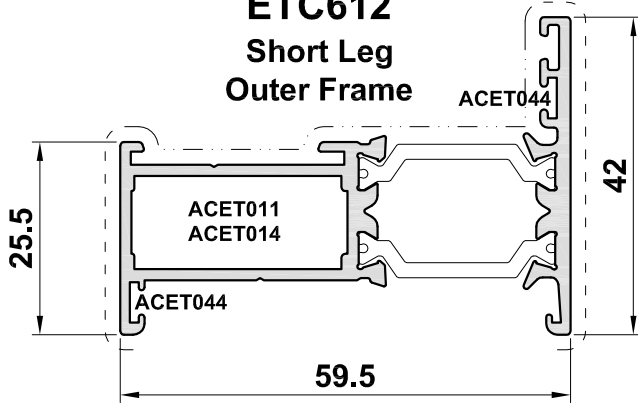


SCALE : 1:1

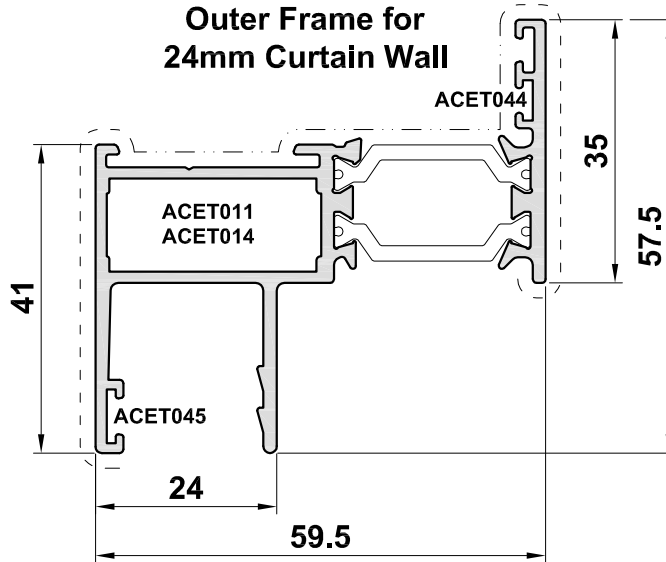
Primary Visible Side

Secondary Visible Side

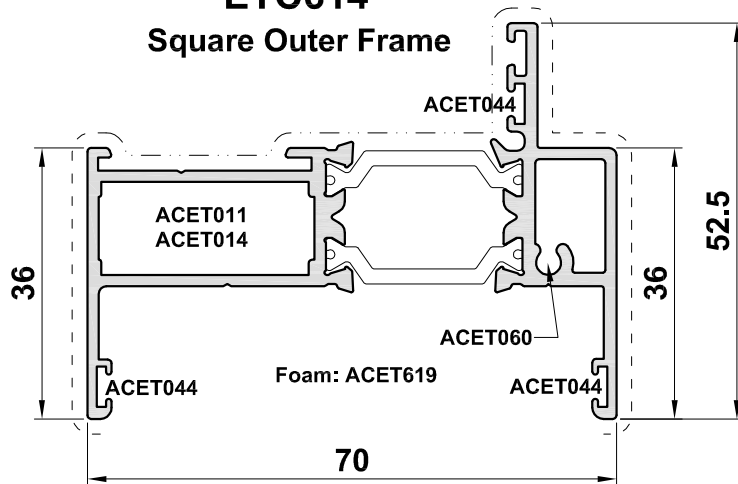
ETC612
Short Leg
Outer Frame



ETC613
Outer Frame for
24mm Curtain Wall



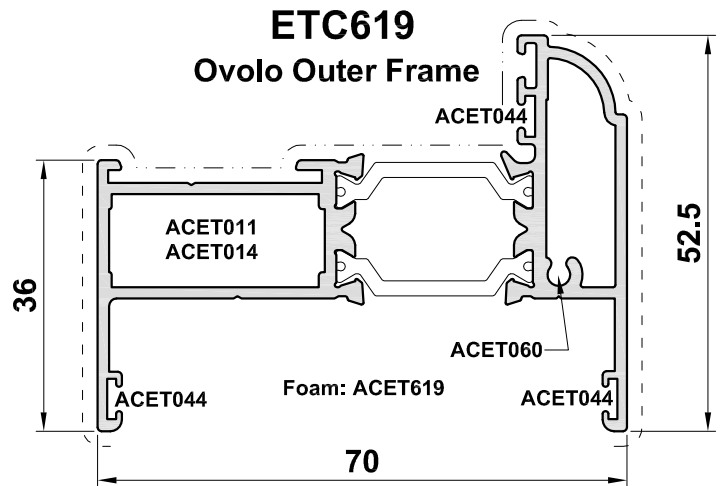
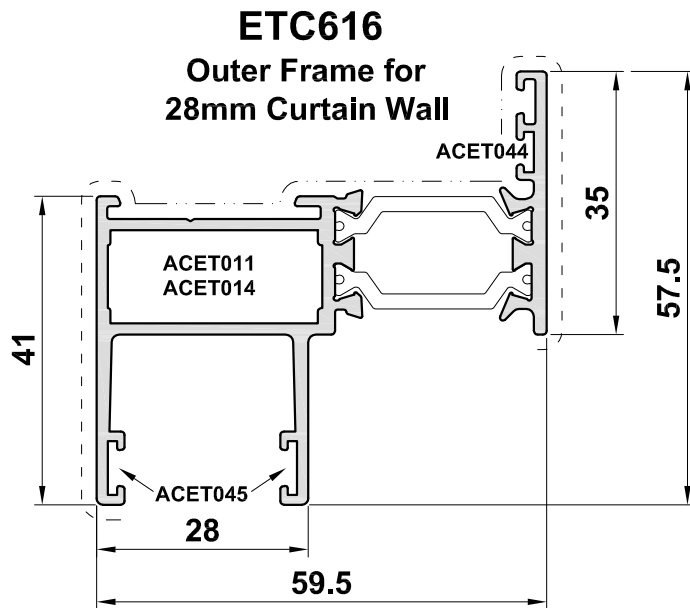
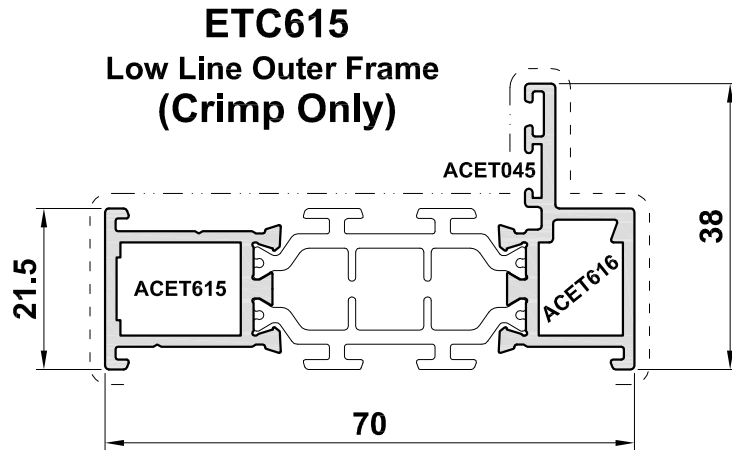
ETC614
Square Outer Frame



SCALE : 1:1

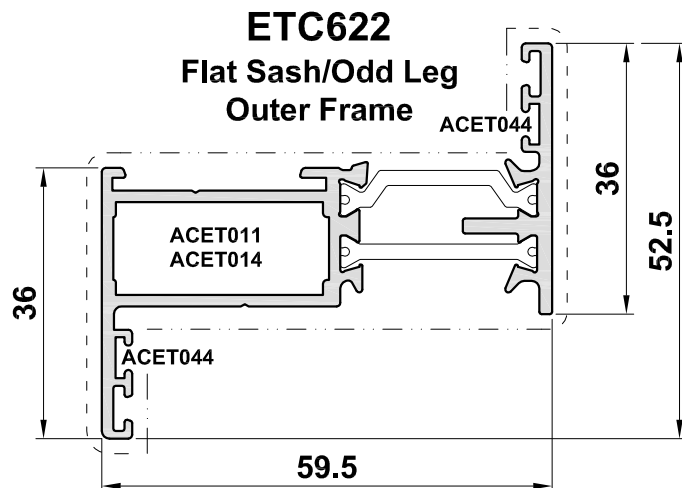
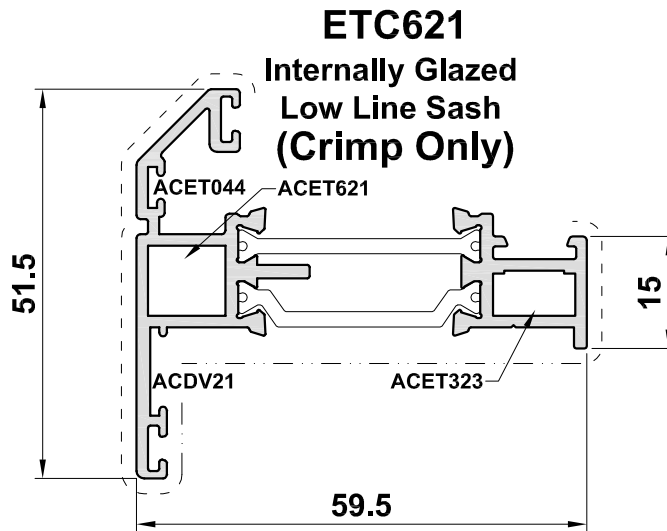
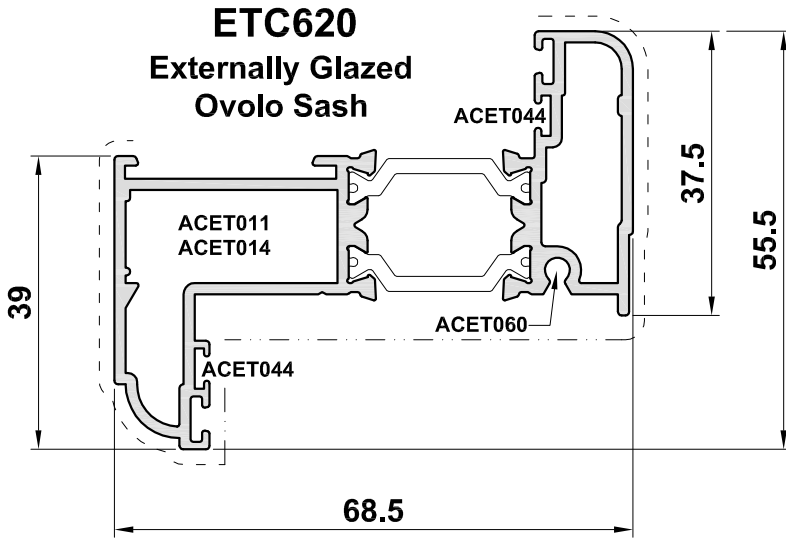
Primary Visible Side

Secondary Visible Side



Primary Visible Side

Secondary Visible Side

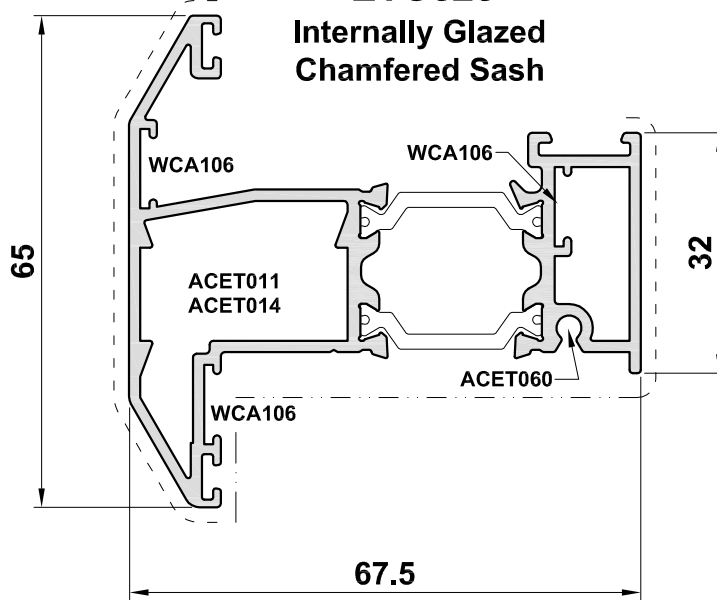


SCALE : 1:1

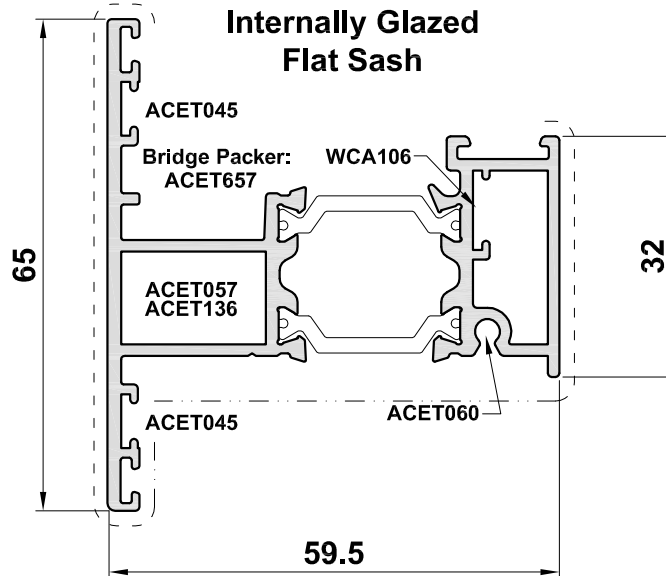
Primary Visible Side

Secondary Visible Side

ETC623
Internally Glazed
Chamfered Sash



ETC624
Internally Glazed
Flat Sash



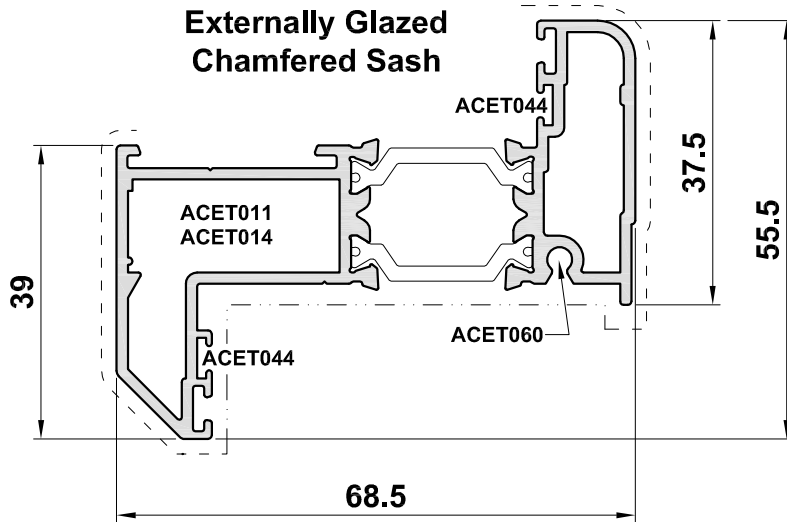
SCALE : 1:1

Primary Visible Side

Secondary Visible Side

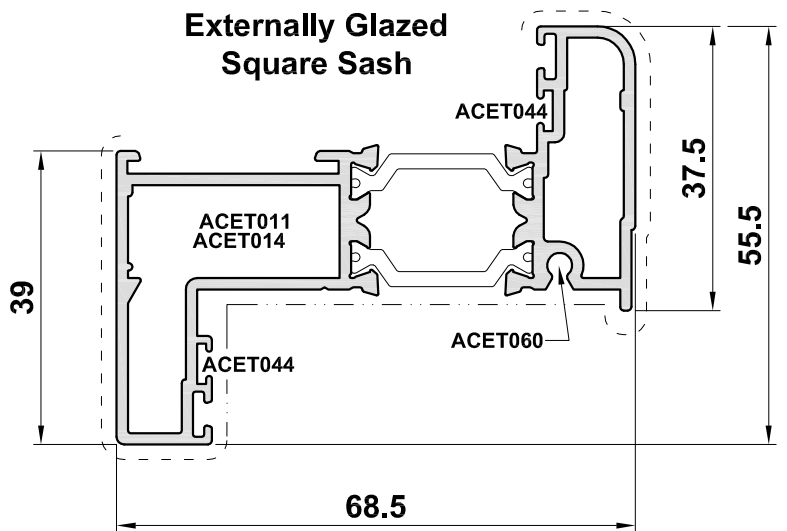
ETC625

**Externally Glazed
Chamfered Sash**



ETC627

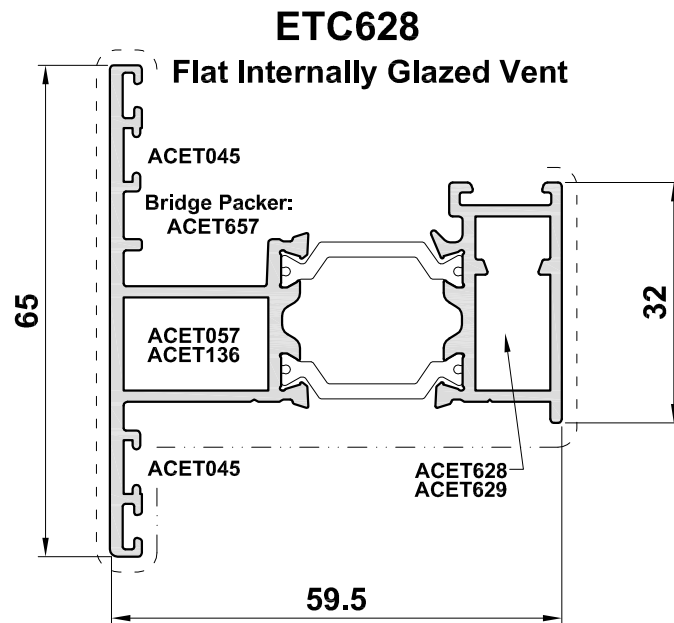
**Externally Glazed
Square Sash**



SCALE : 1:1

Primary Visible Side

Secondary Visible Side

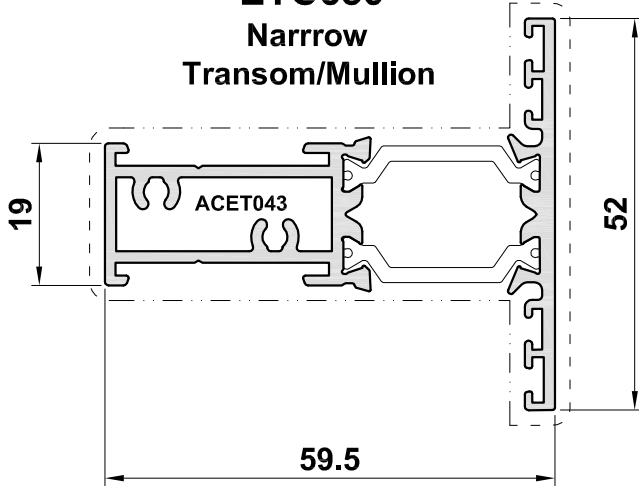


SCALE : 1:1

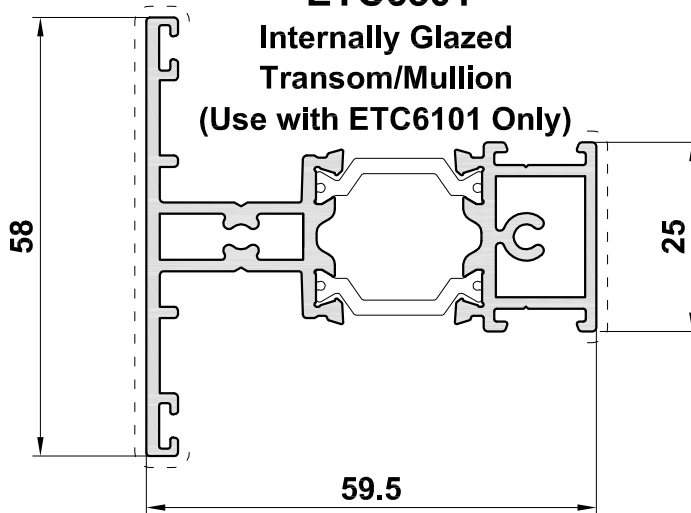
Primary Visible Side

Secondary Visible Side

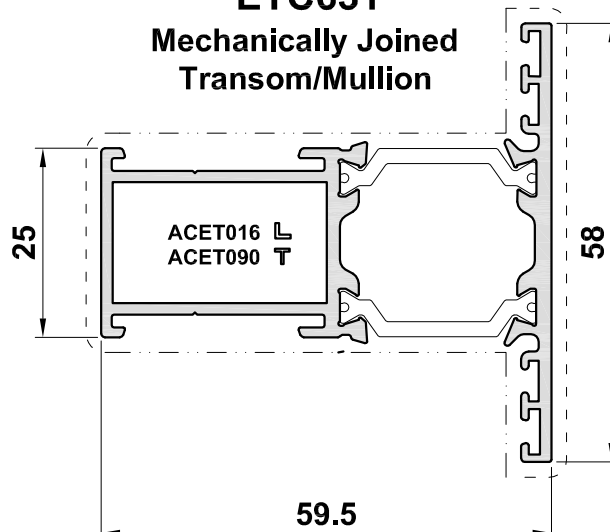
ETC630
Narrow
Transom/Mullion



ETC6301
Internally Glazed
Transom/Mullion
(Use with ETC6101 Only)



ETC631
Mechanically Joined
Transom/Mullion

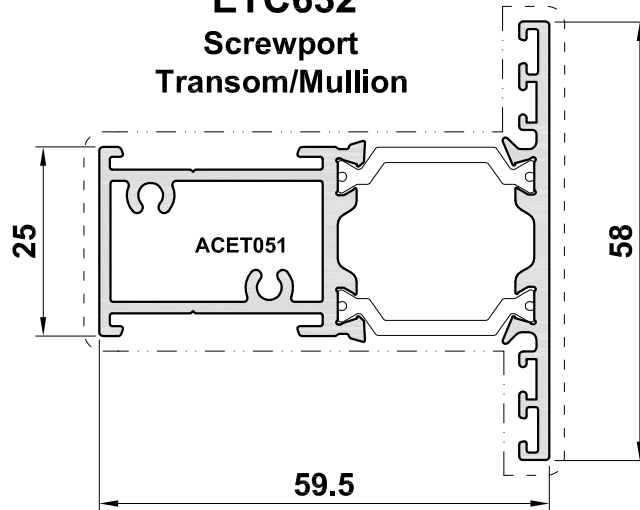


SCALE : 1:1

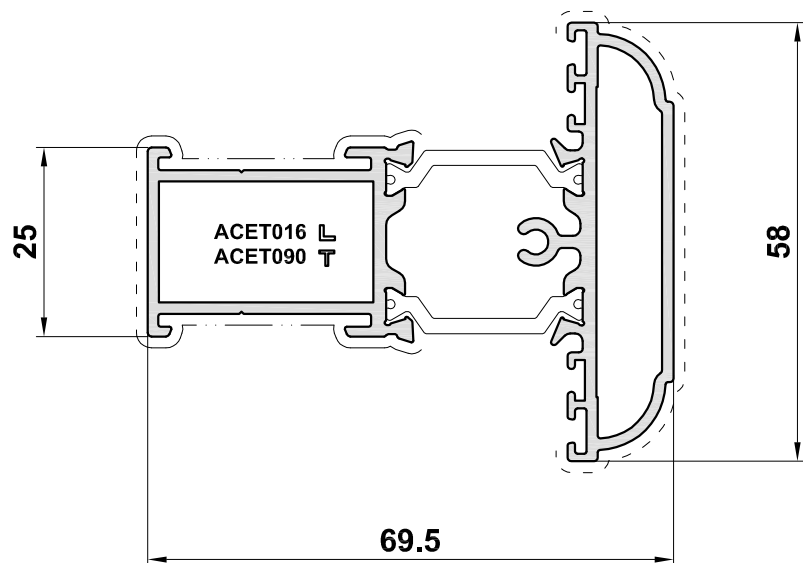
Primary Visible Side

Secondary Visible Side

ETC632
Screwport
Transom/Mullion



ETC633
Ovolo Transom/Mullion

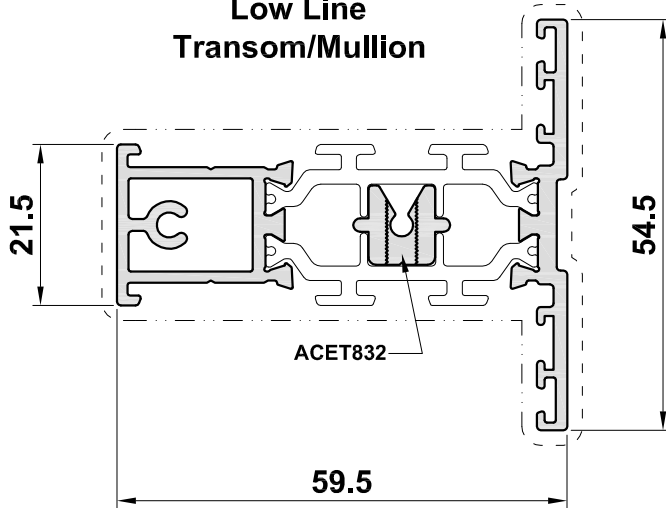


SCALE : 1:1

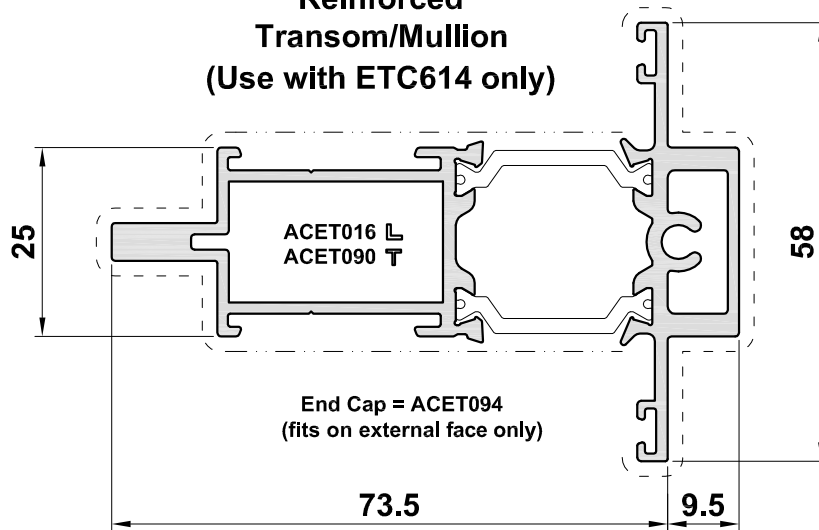
Primary Visible Side

Secondary Visible Side

ETC634
Low Line
Transom/Mullion



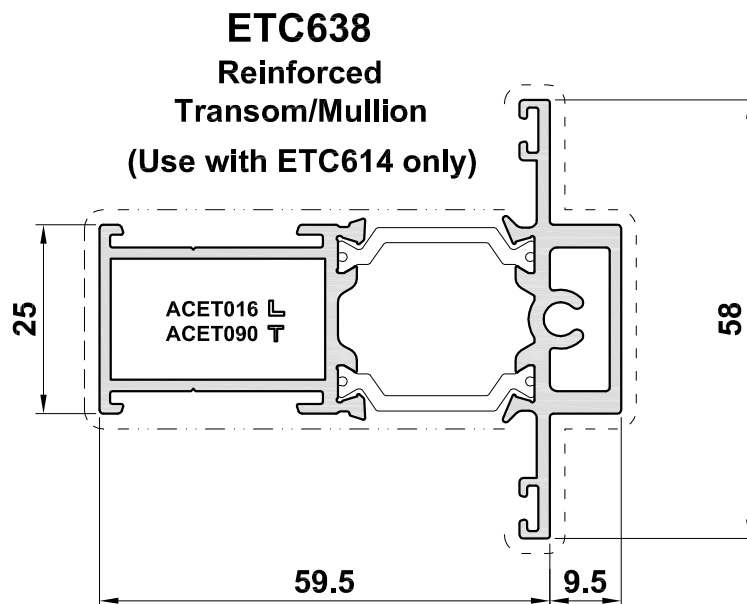
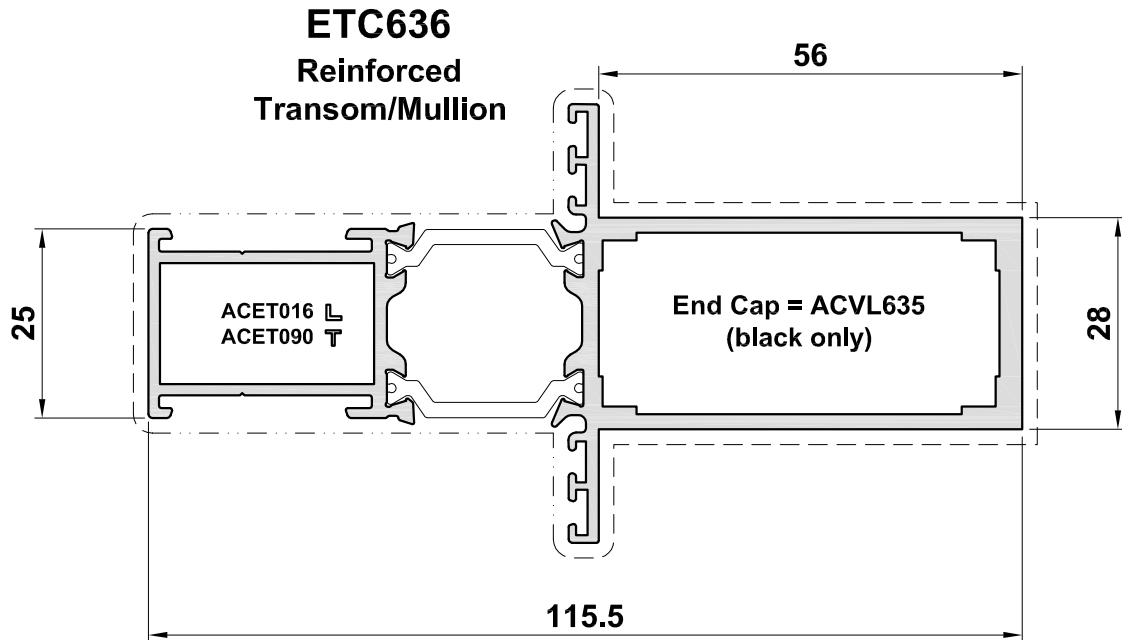
ETC635
Reinforced
Transom/Mullion
(Use with ETC614 only)



SCALE : 1:1

Primary Visible Side

Secondary Visible Side

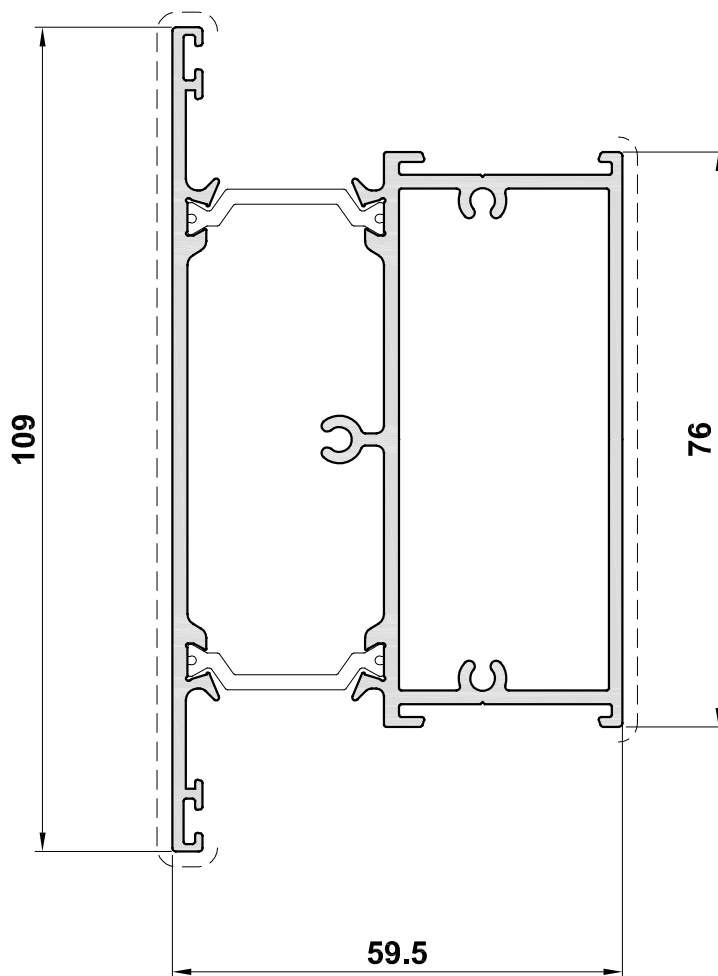


SCALE : 1:1

Primary Visible Side

Secondary Visible Side

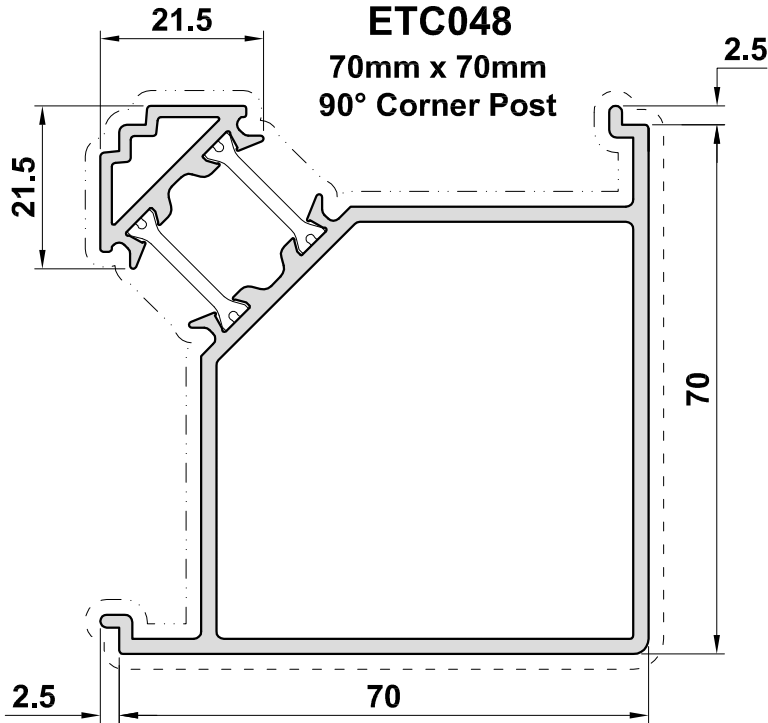
ETC639
109mm Transom To Suit
Alitherm Doors



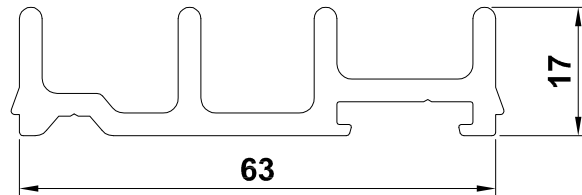
SCALE : 1:1

Primary Visible Side

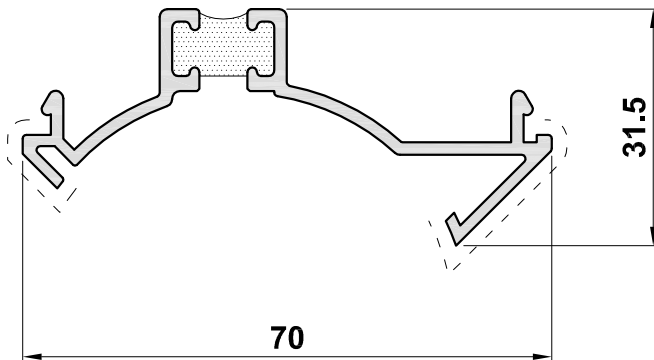
Secondary Visible Side



ETC052
ETC614 & ETC619 Closer
(PVC)



ETC150
Bay Pole Adaptor
(Dual Colour Not Available)

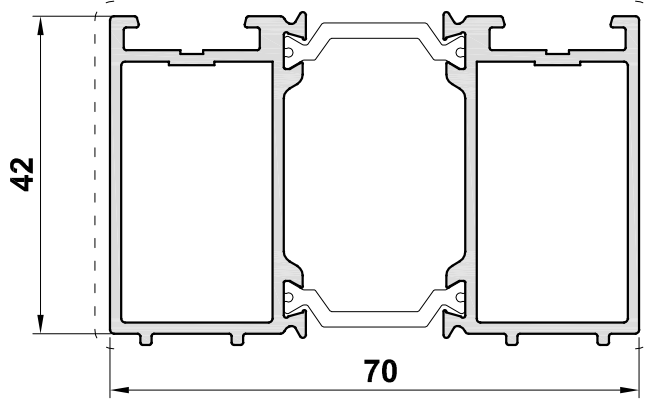


SCALE : 1:1

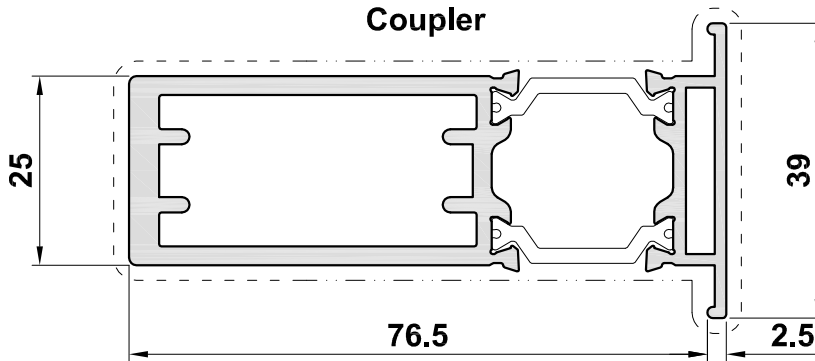
Primary Visible Side

Secondary Visible Side

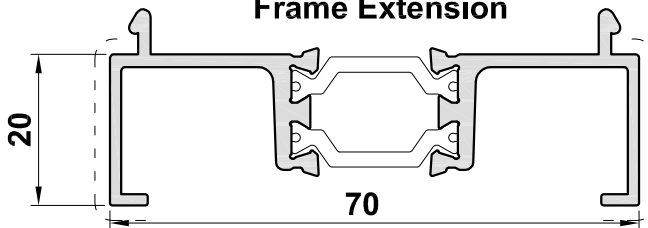
DV515
70mm Head Extension



ETC357
Coupler



ETC559
Frame Extension

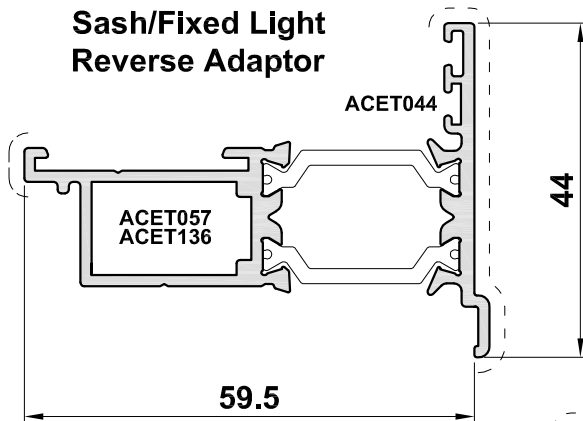


SCALE : 1:1

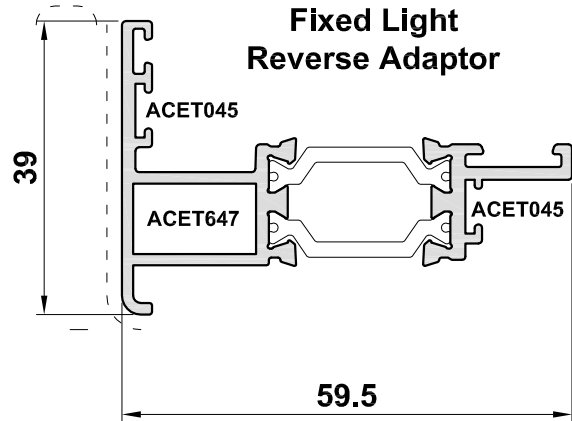
Primary Visible Side

Secondary Visible Side

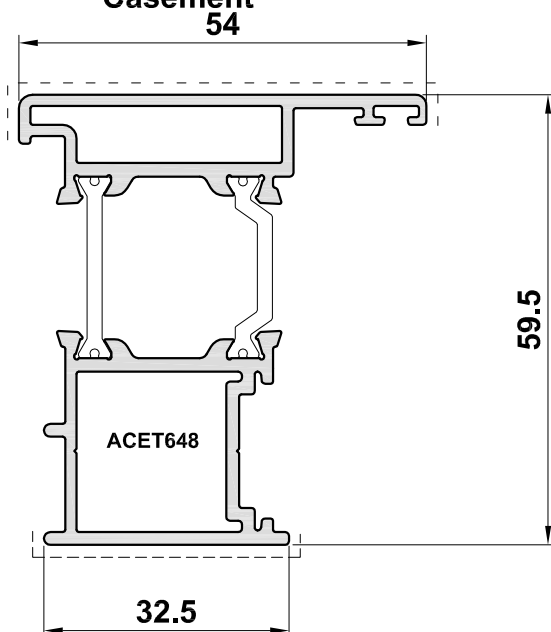
ETC645
Sash/Fixed Light
Reverse Adaptor



ETC647
Fixed Light
Reverse Adaptor



ETC648
Meeting Stile For French
Casement



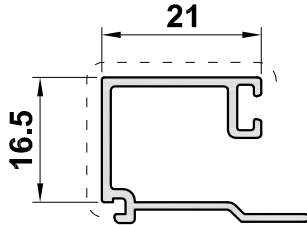
SCALE : 1:1

Primary Visible Side

Secondary Visible Side

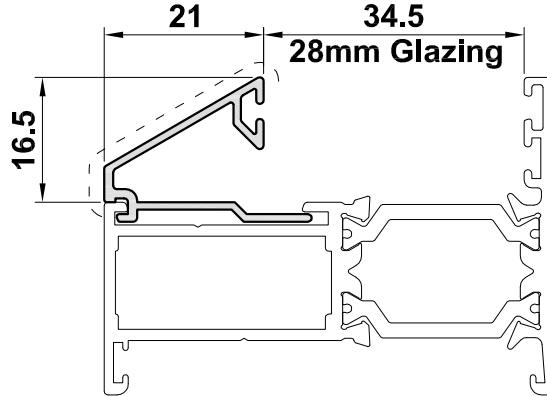
ETC665

28mm Square Bead



ETC268

28mm Sloped Bead

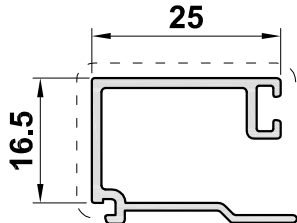


The Bead Shown here
is compatible with:

ETC610	ETC620	ETC630
ETC611	ETC622	ETC631
ETC612	ETC625	ETC632
ETC613	ETC627	ETC634
ETC614	ETC628	ETC635
ETC615		ETC636
ETC616		ETC638
ETC619		ETC645

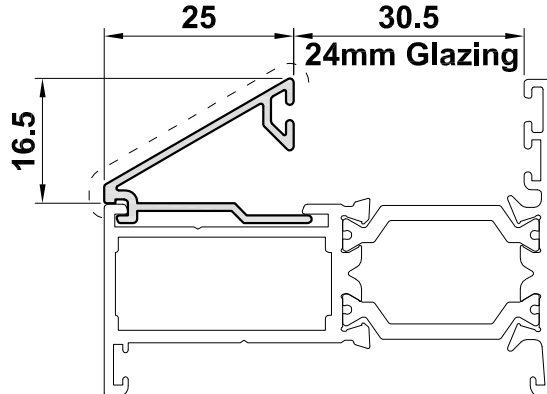
ETC664

24mm Square Bead



ETC271

24mm Sloped Bead



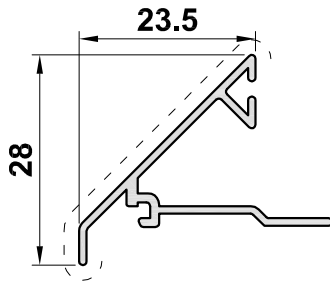
SCALE : 1:1

Primary Visible Side

Secondary Visible Side

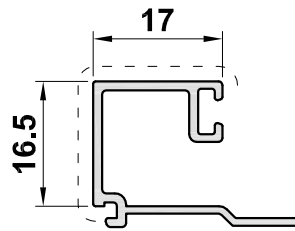
ETC263

32mm Sloped Bead
with Drip



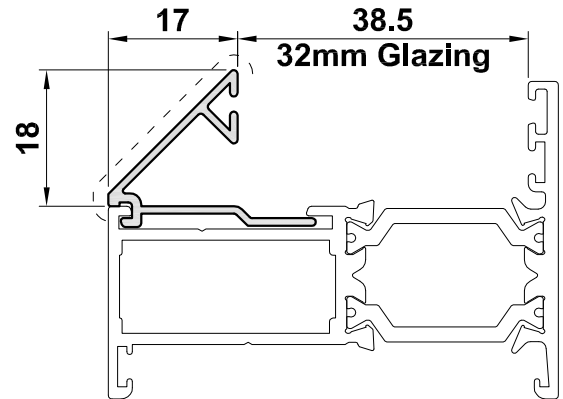
ETC265

32mm Square Bead



ETC262

32mm Sloped Bead

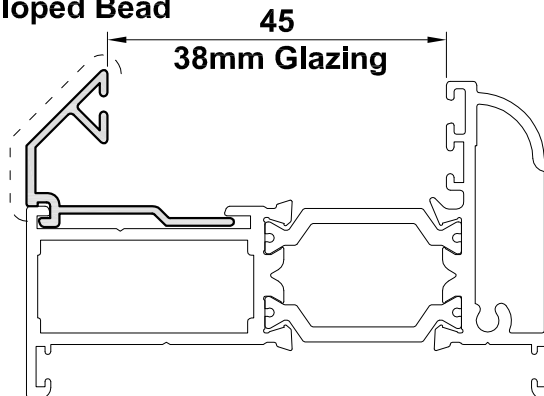


The beads shown here
is compatible with:

- ETC610 ETC620 ETC630
- ETC611 ETC622 ETC631
- ETC612 ETC625 ETC632
- ETC613 ETC627 ETC634
- ETC614 ETC628 ETC635
- ETC615 ETC636
- ETC616 ETC638
- ETC619 ETC645

ETC269

38mm Sloped Bead



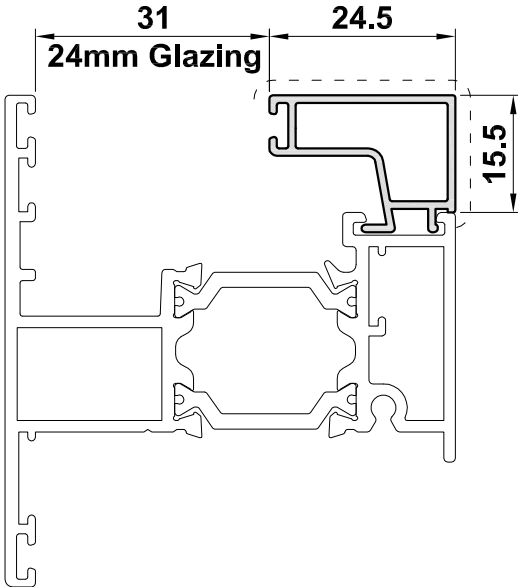
SCALE : 1:1

Primary Visible Side

Secondary Visible Side

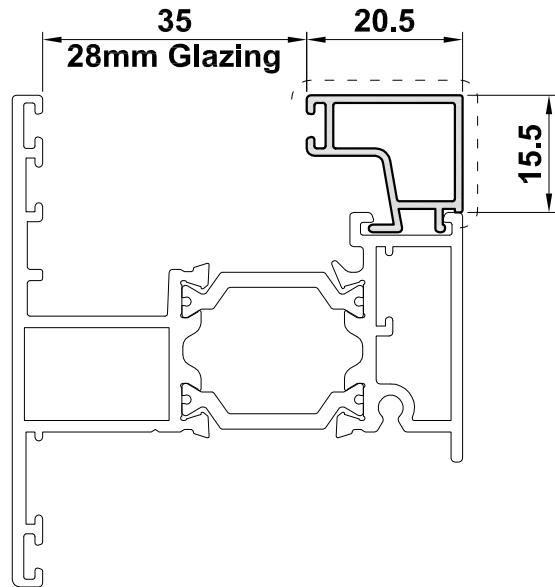
ETC270

24mm Square Bead



ETC272

28mm Square Bead

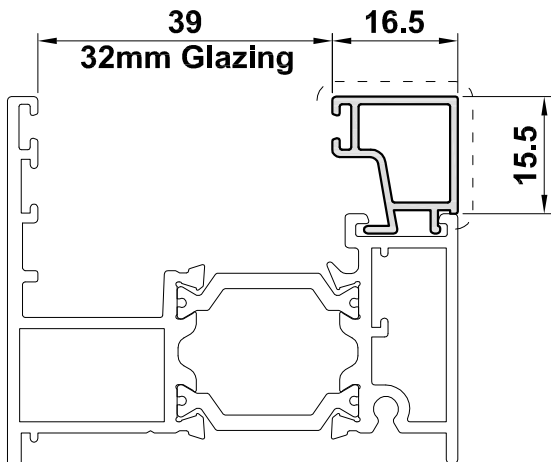


The Beads Shown here
are compatible with:

- ETC6101
- ETC623
- ETC624
- ETC628
- ETC6301
- ETC647

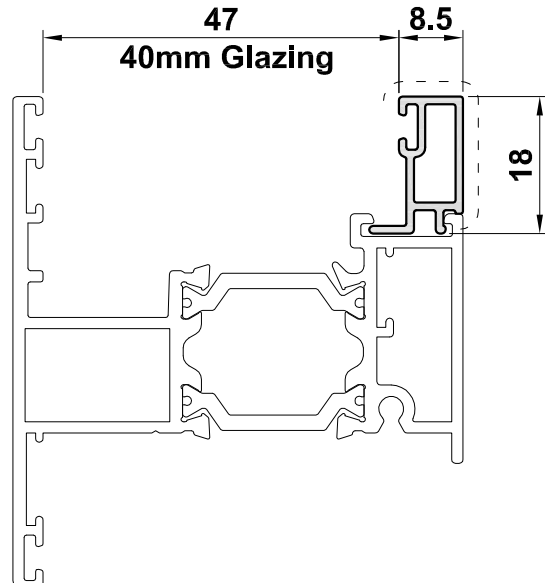
ETC267

32mm Square Bead



ETC667

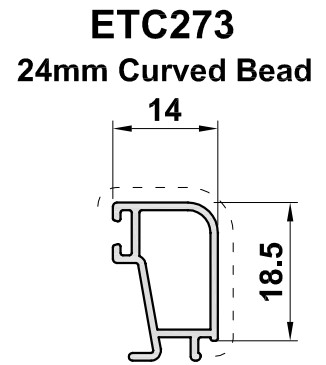
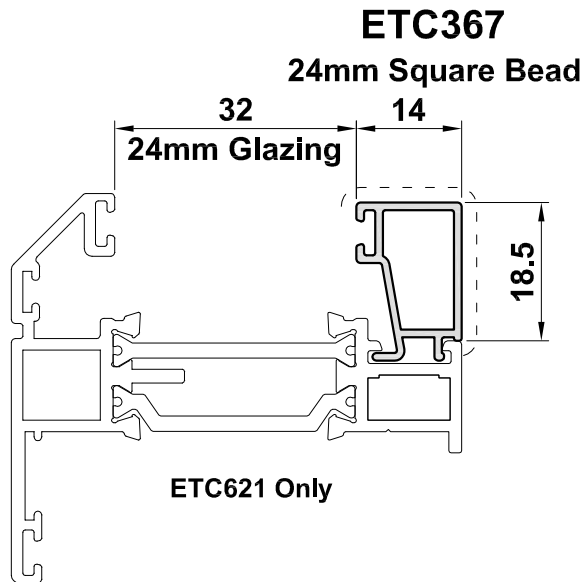
40mm Square Bead



SCALE : 1:1

Primary Visible Side

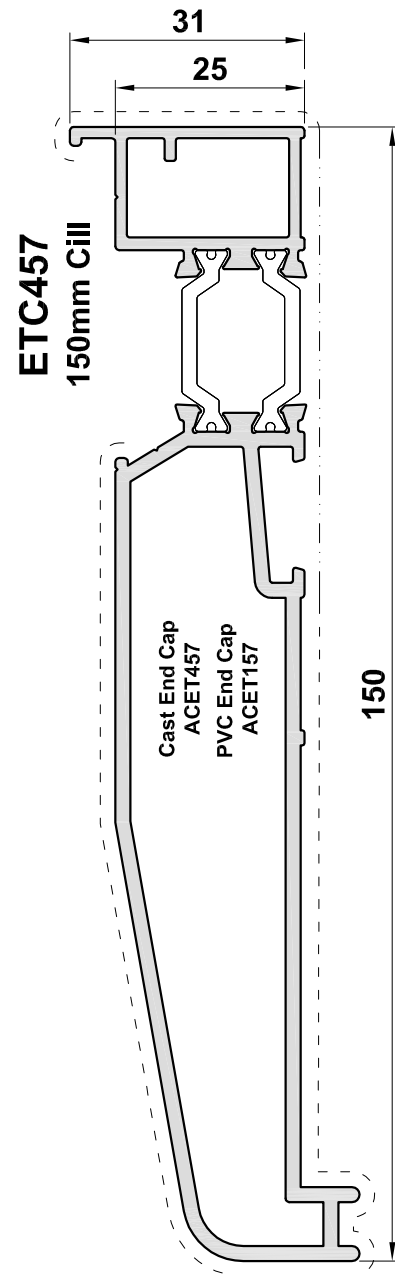
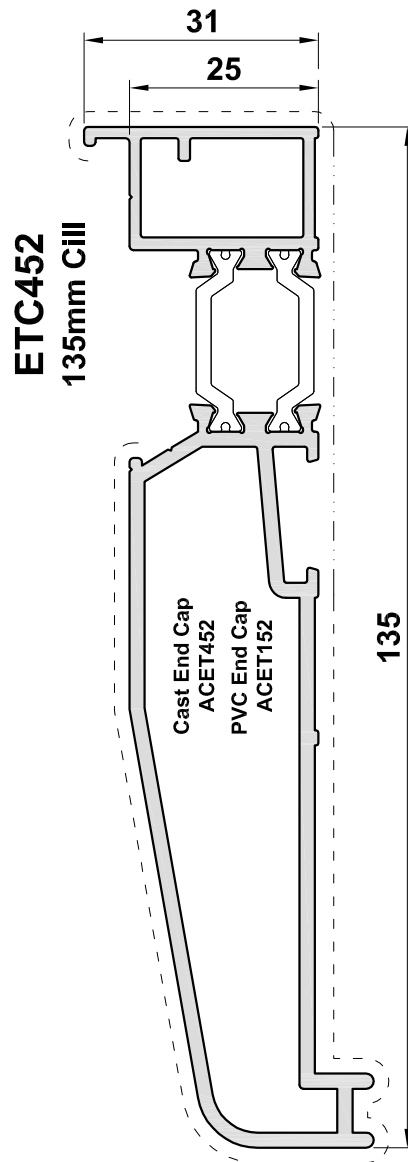
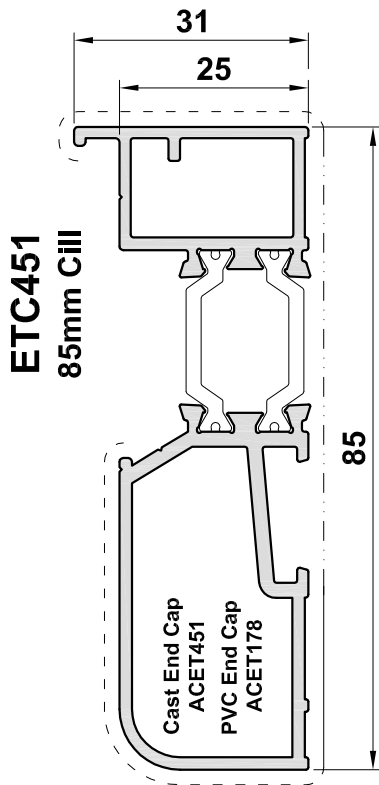
Secondary Visible Side



SCALE : 1:1

Primary Visible Side

Secondary Visible Side

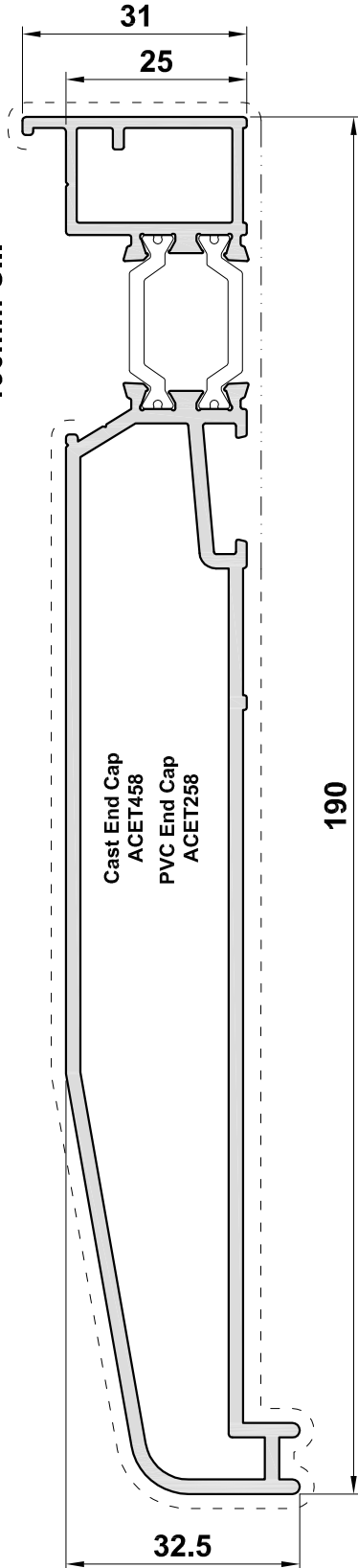


SCALE : 1:1

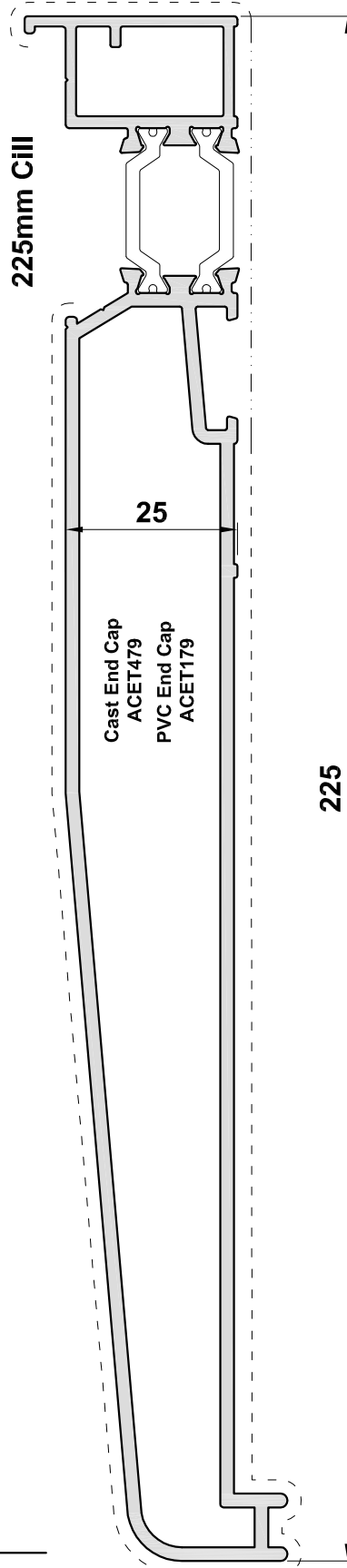
Primary Visible Side

Secondary Visible Side

ETC458
190mm Cill



ETC479
225mm Cill

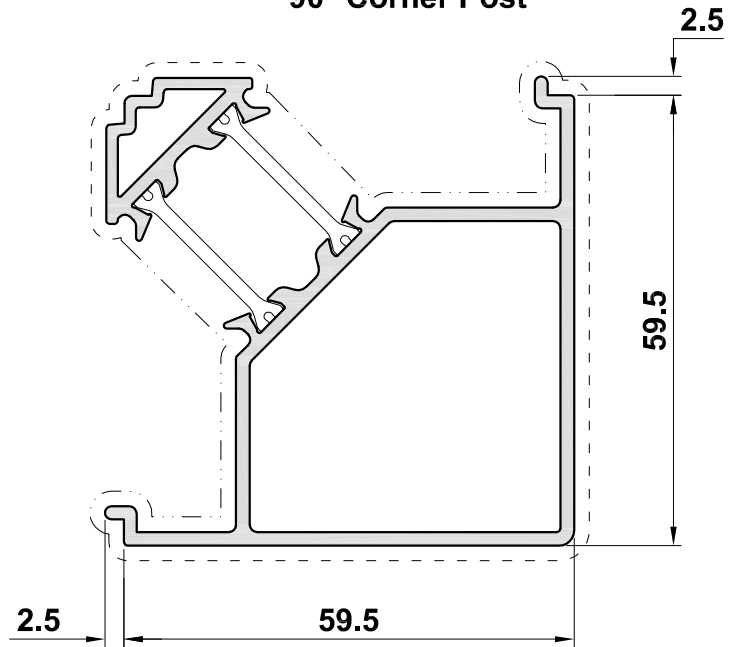


SCALE : 1:1

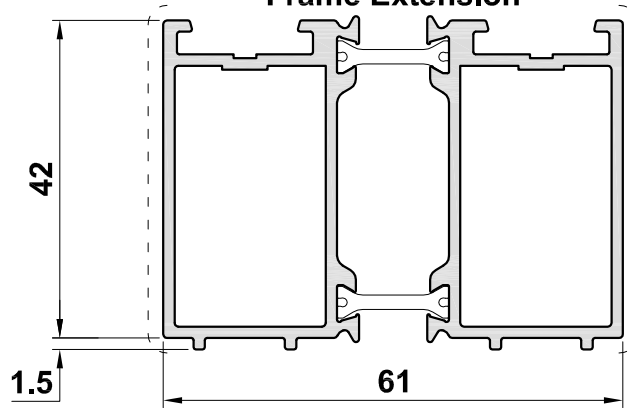
Primary Visible Side

Secondary Visible Side

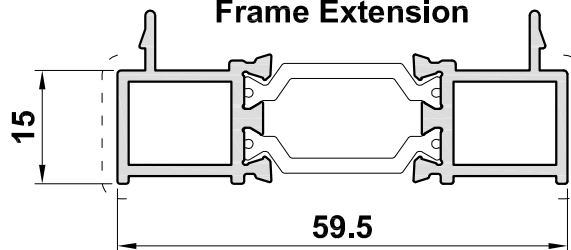
ETC655
90° Corner Post



ETC656N
Frame Extension



ETC660
Frame Extension

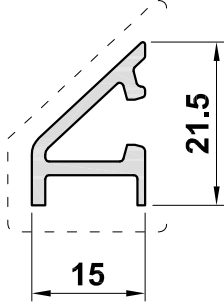


SCALE : 1:1

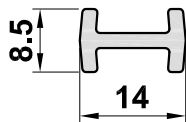
Primary Visible Side

Secondary Visible Side

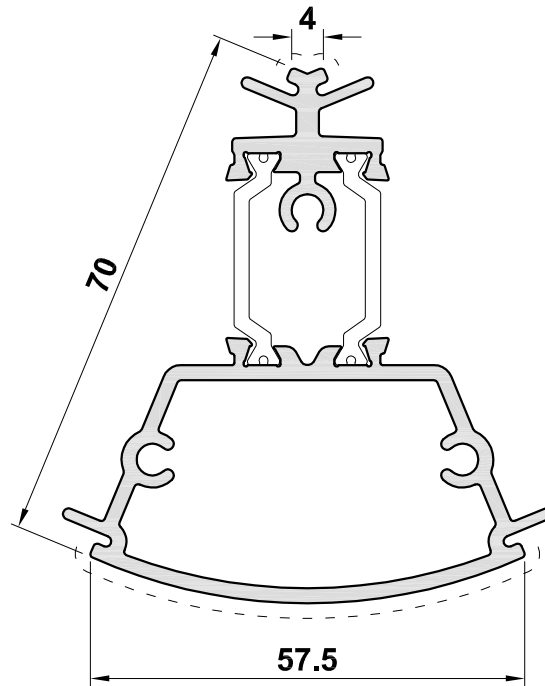
VL72
Weather Drip



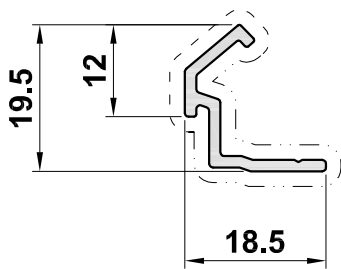
VL75
Coupling Clip



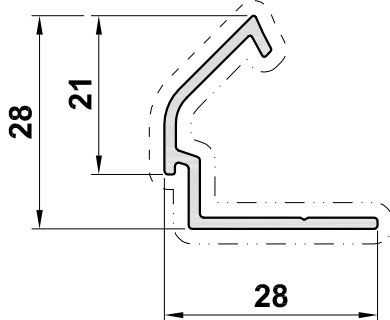
ETC385
135° Fixed Bay Pole



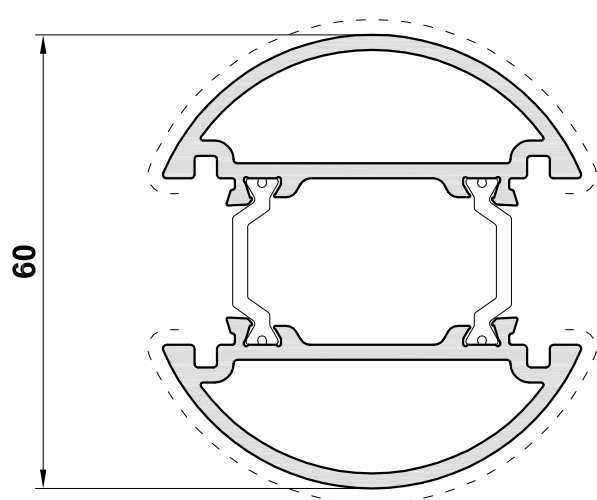
ETC650
Bay Pole Adaptor



ETC651
Bay Pole Adaptor



ETC869
60mm Dia Bay Pole

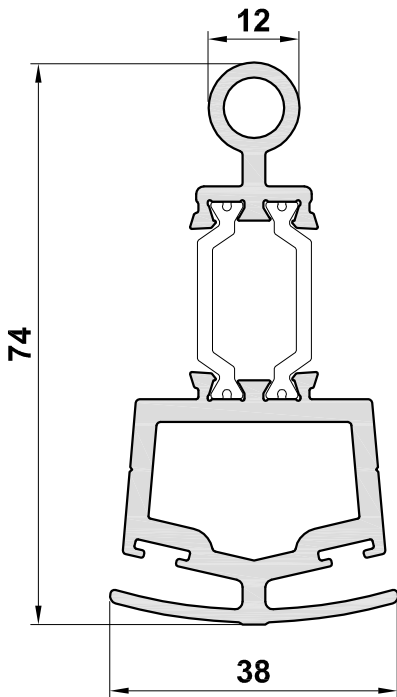


SCALE : 1:1

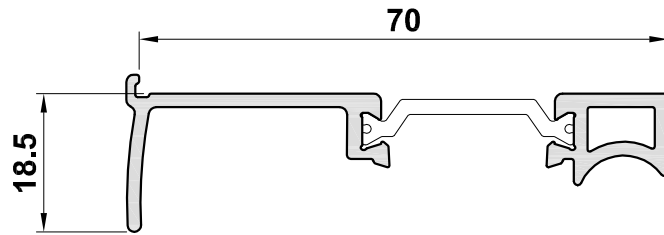
Primary Visible Side

Secondary Visible Side

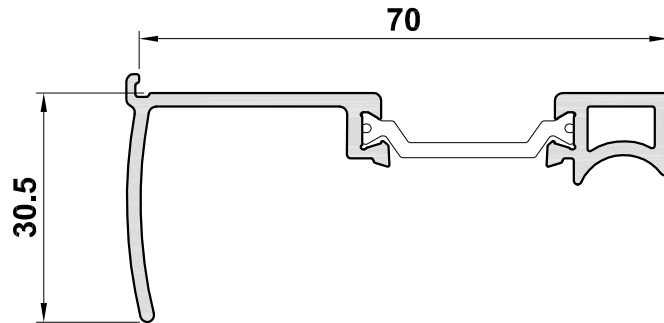
ETC080
Bay Pole



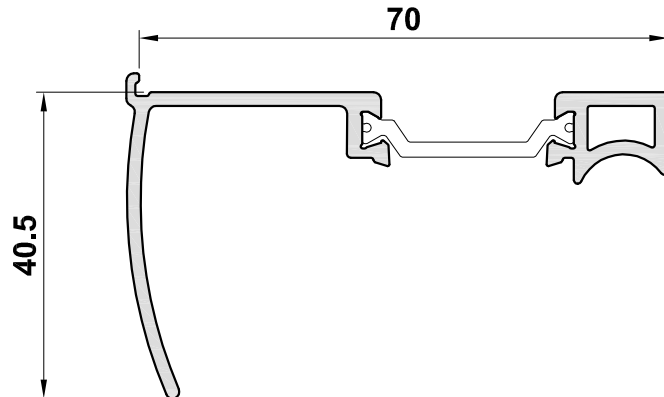
ETC081
169° - 150°
Bay Pole Adaptor



ETC082
149° - 130°
Bay Pole Adaptor



ETC083
129° - 115°
Bay Pole Adaptor



SCALE : 1:1

Section B

Accessories

Photos & Drawings

Section B

Image	Part Code	Pack	Unit	Application	Colour
	ACDR052 No. 10 x 50 S/S Self Tapping Pan Head Screw	200	pack	ETC048 ETC655	MF SA KL HP M GOZ W Z PC
	ACDV21 Stainless Steel Chevron	100	pack	ETC621	MF SA KL HP M GOZ W Z PC
	ACET011 Mechanical Corner Cleat	24	pack	ETC610 ETC611 ETC612 ETC613 ETC614 ETC616 ETC619 ETC620 ETC622 ETC623 ETC624 ETC625 ETC627	MF SA KL HP M GOZ W Z PC
	ACET014 Crimping Corner Cleat	24	pack	ETC610 ETC611 ETC612 ETC613 ETC614 ETC616 ETC619 ETC620 ETC622 ETC623 ETC624 ETC625 ETC627	MF SA KL HP M GOZ W Z PC
	ACET016 Mechanical Transom Cleat	24	pack	ETC631 ETC635 ETC633 ETC636 ETC638	MF SA KL HP M GOZ W Z PC
<p>T-BARS ACVG65=2.5mm ACVG66=3.0mm ACVL150=4.0mm</p> <p>Screw (Grub)</p>	MF = Mill Finish SA = Silver Anodised KL = Basic Colour HP = Special Colour M = Dual Colour GOZ = Gold PC = Polished Chrome W = White Z = Black				

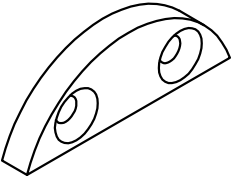
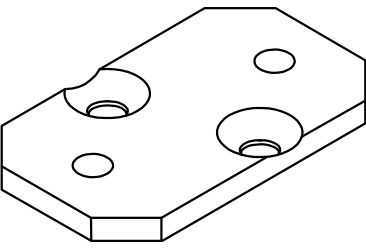
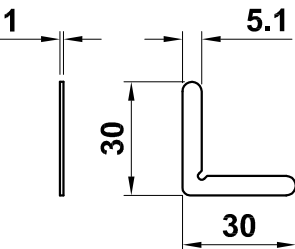
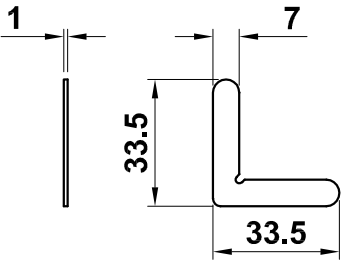
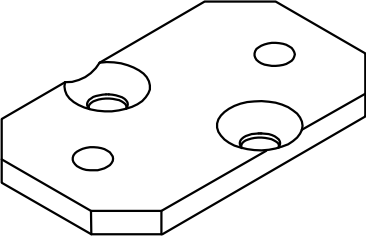
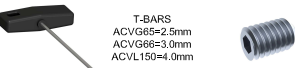
Image	Part Code	Pack	Unit	Application	Colour
	ACET041 Cill Nose Bracket Screws = ACET067	1	each	ETC451 ETC452 ETC457 ETC458 ETC479	MF
					SA
					KL
					HP
					M
					GOZ
					W
					Z
					PC
					
SA					
KL					
HP					
M					
GOZ					
W					
Z					
PC					
	ACET044 Stainless Steel Chevron	100	pack		
					SA
					KL
					HP
					M
					GOZ
					W
					Z
					PC
					
SA					
KL					
HP					
M					
GOZ					
W					
Z					
PC					
	ACET051 Cruciform Fixing Plate	1	each	ETC632	
					SA
					KL
					HP
					M
					GOZ
					W
					Z
					PC
					 <p>T-BARS ACVG65=2.5mm ACVG66=3.0mm ACVL150=4.0mm</p> <p>Screw (Grub)</p>

Image	Part Code	Pack	Unit	Application	Colour
	ACET057 Mechanical Cleat	24	pack	ETC6101 ETC624 ETC628	MF SA KL HP M GOZ W Z PC
	ACET060 7 x 1" S/S Self Tapping CSK Screw	100	pack		MF SA KL HP M GOZ W Z PC
	ACET061 M6 x 10 S/S CSK Machine Screw	100	pack		MF SA KL HP M GOZ W Z PC
	ACET062 No. 10 x 50 S/S Self Tapping CSK Screw	100	pack		MF SA KL HP M GOZ W Z PC
	ACET064 No. 8 x 16 S/S Self Tapping Flange Screw	100	pack	Friction Hinges	MF SA KL HP M GOZ W Z PC
<p>T-BARS ACV65=2.5mm ACV68=3.0mm ACV150=4.0mm</p> <p>Screw (Grub)</p>	MF = Mill Finish SA = Silver Anodised KL = Basic Colour HP = Special Colour M = Dual Colour GOZ = Gold PC = Polished Chrome W = White Z = Black				

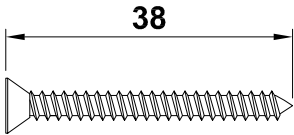
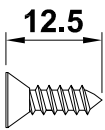
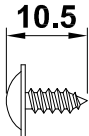
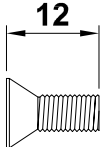
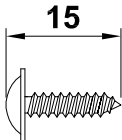


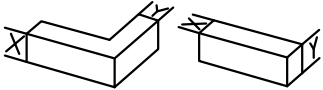
Image	Part Code	Pack	Unit	Application	Colour
	ACET066 No. 7 x 38 S/S Self Tapping CSK Screw	100	pack		MF SA KL HP M GOZ W Z PC
	ACET067 No. 7 x 13 S/S Self Tapping CSK Screw	100	pack		MF SA KL HP M GOZ W Z PC
	ACET068 No. 8 x 10 S/S Self Tapping Flange Screw	100	pack	Friction Hinges	MF SA KL HP M GOZ W Z PC
	ACET069 M5 x 12 S/S CSK Machine Screw	100	pack		MF SA KL HP M GOZ W Z PC
	ACET070 No. 8 x 13 S/S Self Tapping Flange Screw	100	pack	Friction Hinges	MF SA KL HP M GOZ W Z PC
 	MF = Mill Finish SA = Silver Anodised KL = Basic Colour HP = Special Colour M = Dual Colour	GOZ = Gold PC = Polished Chrome W = White Z = Black			


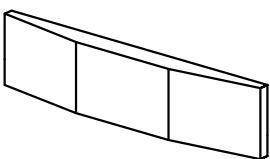
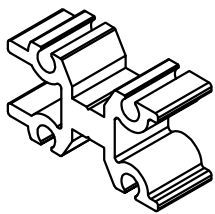
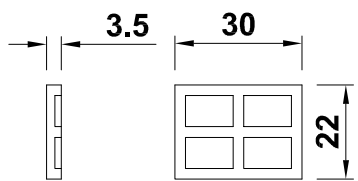
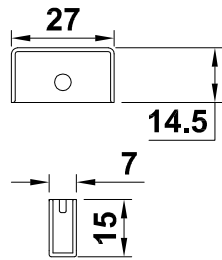


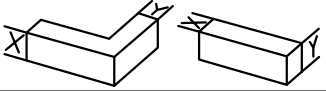
Image	Part Code	Pack	Unit	Application	Colour
	ACET080 Cockspur Handle	1	each	ACET083	MF
					SA
					KL
					HP
					M
					GOZ
					W
					Z
PC					
	ACET083 3mm Wedge	100	pack	ACET080	MF
					SA
					KL
					HP
					M
					GOZ
					W
					Z
PC					
	ACET090 Fixing Block	24	pack	ETC631	MF
					SA
					KL
					HP
					M
					GOZ
					W
					Z
PC					
	ACET092 30 x 22.5 x 3.5 Packer	25	pack	ETC646	MF
					SA
					KL
					HP
					M
					GOZ
					W
					Z
PC					
	ACET094 End Caps	10	pack	ETC635	MF
					SA
					KL
					HP
					M
					GOZ
					W
					Z
PC					
 <p>T-BARS ACVG65=2.5mm ACVG66=3.0mm ACVL150=4.0mm</p>  <p>Screw (Grub)</p>	MF = Mill Finish SA = Silver Anodised KL = Basic Colour HP = Special Colour M = Dual Colour	GOZ = Gold PC = Polished Chrome W = White Z = Black			

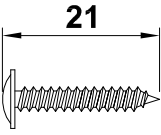
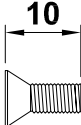
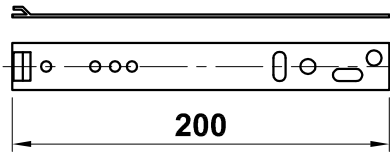
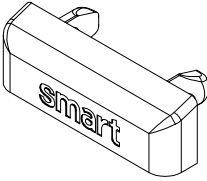
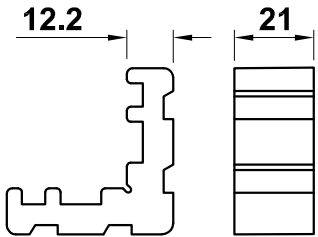


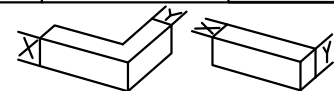
Image	Part Code	Pack	Unit	Application	Colour	
	ACET099 No. 8 x 19 S/S Self Tapping Flange Screw	100	pack	Friction Hinges	MF	
					SA	
					KL	
					HP	
					M	
					GOZ	
					W	
					Z	
PC						
	ACET122 M4 x 10mm C/S Screw	100	pack		MF	
					SA	
					KL	
					HP	
					M	
					GOZ	
					W	
					Z	
PC						
	ACET130 Galvanised Steel Fixing Strap 200mm x 25mm x 1.5mm	100	pack	ETC611 ETC612 ETC614 ETC615 ETC619	MF	
					SA	
					KL	
					HP	
					M	
					GOZ	
					W	
					Z	
PC						
	ACET131 Drainage Cover Cap	100	pack		MF	
					SA	
					KL	
					HP	
					M	
					GOZ	
					W	✓
					Z	✓
PC						
	ACET136 Crimping Cleat	100	pack	ETC6101 ETC624 ETC628	MF	
					SA	
					KL	
					HP	
					M	
					GOZ	
					W	
					Z	
PC						
 	MF = Mill Finish SA = Silver Anodised KL = Basic Colour HP = Special Colour M = Dual Colour	GOZ = Gold PC = Polished Chrome W = White Z = Black				

Image	Part Code	Pack	Unit	Application	Colour	
	ACET152 Cill End Caps	10	pair	ACET452	MF	
					SA	
					KL	
					HP	
					M	
					GOZ	
					W	✓
					Z	✓
					PC	
	ACET157 Cill End Caps	10	pair	ETC457	MF	
					SA	
					KL	
					HP	
					M	
					GOZ	
					W	✓
					Z	✓
					PC	
	ACET165 Espagnolette Handle 9mm Spindle	1	each	Shootbolt Locking	MF	
					SA	✓
					KL	
					HP	
					M	
					GOZ	
					W	✓
					Z	✓
					PC	
	ACET178 Cill End Caps	10	pair	ETC451	MF	
					SA	
					KL	
					HP	
					M	
					GOZ	
					W	✓
					Z	✓
					PC	
	ACET179 Cill End Caps	10	pair	ETC479	MF	
					SA	
					KL	
					HP	
					M	
					GOZ	
					W	✓
					Z	✓
					PC	
<p>T-BARS ACVG65=2.5mm ACVG66=3.0mm ACVL150=4.0mm</p> <p>Screw (GxL)</p>	MF = Mill Finish SA = Silver Anodised KL = Basic Colour HP = Special Colour M = Dual Colour	GOZ = Gold PC = Polished Chrome W = White Z = Black				

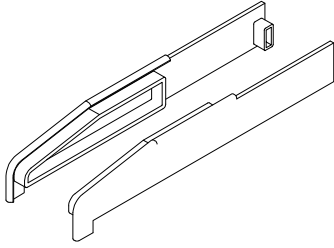
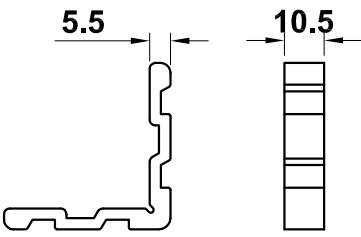
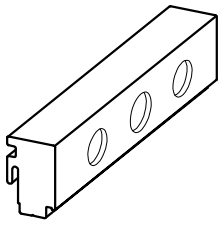
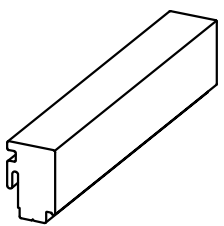
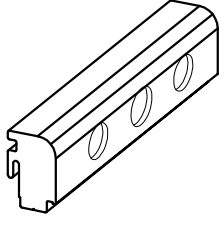
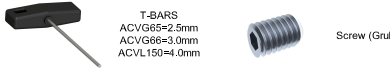
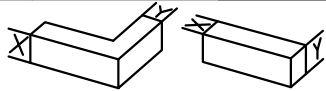
Image	Part Code	Pack	Unit	Application	Colour	
	ACET258 Cill End Caps	10	pair	ETC458	MF	
					SA	
					KL	
					HP	
					M	
					GOZ	
					W	✓
					Z	✓
					PC	
	ACET323 Crimping Cleat (inner chamber)	24	pack	ETC621	MF	
					SA	
					KL	
					HP	
					M	
					GOZ	
					W	
					Z	
					PC	
	ACET365 Espag. Handle Fixing Block (94mm)	1	each	ACET165 ETC621 ETC273 ETC367	MF	✓
					SA	✓
					KL	✓
					HP	✓
					M	
					GOZ	
					W	✓
					Z	✓
					PC	
	ACET366 Cockspur Handle Fixing Block (94mm)	1	each	ACET165 ETC621 ETC273 ETC367	MF	
					SA	✓
					KL	✓
					HP	✓
					M	
					GOZ	
					W	✓
					Z	✓
					PC	
	ACET367 Curved Espag. Handle Fixing Block (94mm)	1	each	ACET165 ETC621 ETC273 ETC367	MF	✓
					SA	✓
					KL	✓
					HP	✓
					M	
					GOZ	
					W	✓
					Z	✓
					PC	
 <p>T-BARS ACVG65=2.5mm ACVG66=3.0mm ACVL150=4.0mm</p> <p>Screw (Grub)</p>	MF = Mill Finish SA = Silver Anodised KL = Basic Colour HP = Special Colour M = Dual Colour	GOZ = Gold PC = Polished Chrome W = White Z = Black				

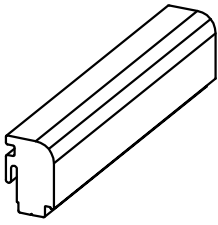
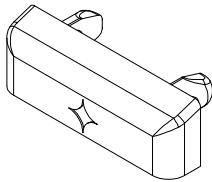
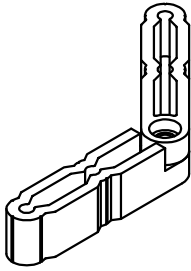
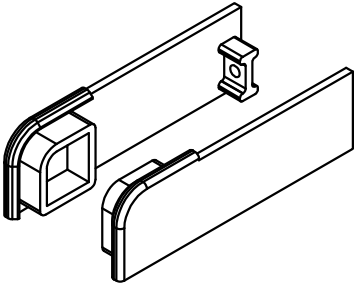
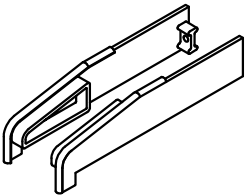

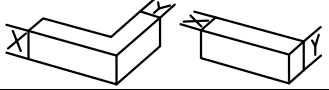
Image	Part Code	Pack	Unit	Application	Colour
	ACET368 Curved Cockspur Handle Fixing Block (94mm)	1	each	ACET165 ETC621 ETC273 ETC367	MF <input checked="" type="checkbox"/>
					SA <input checked="" type="checkbox"/>
					KL <input checked="" type="checkbox"/>
					HP <input checked="" type="checkbox"/>
					M <input type="checkbox"/>
					GOZ <input type="checkbox"/>
					W <input checked="" type="checkbox"/>
					Z <input checked="" type="checkbox"/>
					PC <input type="checkbox"/>
	ACET431 Colour Match Drainage Cover Cap	8	pack		MF <input type="checkbox"/>
					SA <input type="checkbox"/>
					KL <input type="checkbox"/>
					HP <input type="checkbox"/>
					M <input type="checkbox"/>
					GOZ <input type="checkbox"/>
					W <input type="checkbox"/>
					Z <input type="checkbox"/>
					PC <input type="checkbox"/>
	ACET440 Variable Cill Angle Bracket	1	each	ETC451 ETC452 ETC457 ETC458 ETC479	MF <input checked="" type="checkbox"/>
					SA <input type="checkbox"/>
					KL <input type="checkbox"/>
					HP <input type="checkbox"/>
					M <input type="checkbox"/>
					GOZ <input type="checkbox"/>
					W <input type="checkbox"/>
					Z <input type="checkbox"/>
					PC <input type="checkbox"/>
	ACET451 Cast Cill End Caps	1	pair	ETC451	MF <input checked="" type="checkbox"/>
					SA <input type="checkbox"/>
					KL <input checked="" type="checkbox"/>
					HP <input checked="" type="checkbox"/>
					M <input type="checkbox"/>
					GOZ <input type="checkbox"/>
					W <input checked="" type="checkbox"/>
					Z <input checked="" type="checkbox"/>
					PC <input type="checkbox"/>
	ACET452 Cast Cill End Caps	1	pair	ETC452	MF <input checked="" type="checkbox"/>
					SA <input type="checkbox"/>
					KL <input checked="" type="checkbox"/>
					HP <input checked="" type="checkbox"/>
					M <input type="checkbox"/>
					GOZ <input type="checkbox"/>
					W <input checked="" type="checkbox"/>
					Z <input checked="" type="checkbox"/>
					PC <input type="checkbox"/>
	MF = Mill Finish SA = Silver Anodised KL = Basic Colour HP = Special Colour M = Dual Colour	GOZ = Gold PC = Polished Chrome W = White Z = Black			

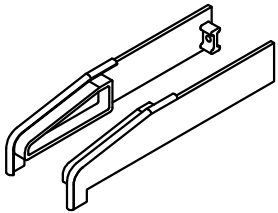
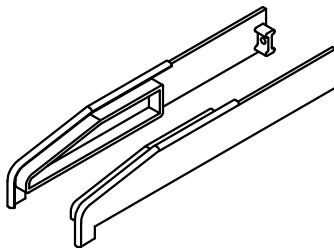
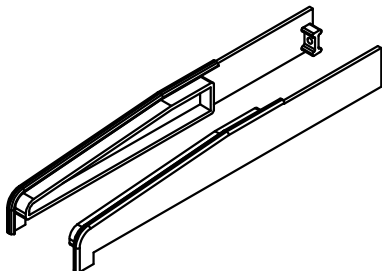
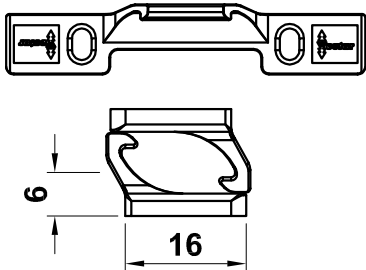
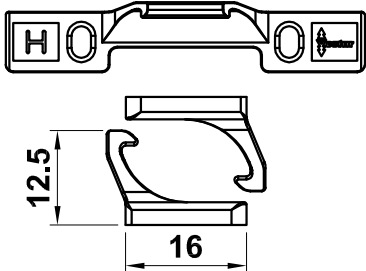
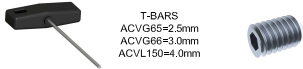
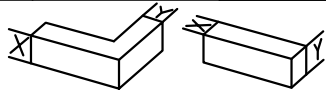
Image	Part Code	Pack	Unit	Application	Colour	
	ACET457 Cast Cill End Caps	1	pair	ETC457	MF	✓
					SA	
					KL	✓
					HP	✓
					M	
					GOZ	
					W	✓
					Z	✓
					PC	
	ACET458 Cast Cill End Caps	1	pair	ETC458	MF	✓
					SA	
					KL	✓
					HP	✓
					M	
					GOZ	
					W	✓
					Z	✓
					PC	
	ACET479 Cast Cill End Caps	1	pair	ETC479	MF	✓
					SA	
					KL	✓
					HP	✓
					M	
					GOZ	
					W	✓
					Z	✓
					PC	
	ACET513 13mm Cavity Hinge Protector 4 Per Set (2 pairs)	50	sets	ETC622	MF	
					SA	
					KL	
					HP	
					M	
					GOZ	
					W	
					Z	
					PC	
	ACET516 16mm Cavity Hinge Protector 4 Per Set (2 pairs)	50	sets	ETC620 ETC621 ETC623 ETC624 ETC625	MF	
					SA	
					KL	
					HP	
					M	
					GOZ	
					W	
					Z	
					PC	
 <p>T-BARS ACVG65=2.5mm ACVG66=3.0mm ACVL150=4.0mm</p> <p>Screw (Grub)</p>	MF = Mill Finish SA = Silver Anodised KL = Basic Colour HP = Special Colour M = Dual Colour	GOZ = Gold PC = Polished Chrome W = White Z = Black				

Image	Part Code	Pack	Unit	Application	Colour
	ACET610 Foam Infill 1250mm Lengths	1	each	ETC610	MF
					SA
					KL
					HP
					M
					GOZ
					W
					Z
					PC
SA					
KL					
HP					
M					
GOZ					
W					
Z					
PC					
	ACET616 Crimping Cleat (inner chamber)	24	pack	ETC615	
					SA
					KL
					HP
					M
					GOZ
					W
					Z
					PC
SA					
KL					
HP					
M					
GOZ					
W					
Z					
PC					
	ACET621 Crimping Cleat (outer chamber)	24	pack	ETC621	
					SA
					KL
					HP
					M
					GOZ
					W
					Z
					PC

Image	Part Code	Pack	Unit	Application	Colour
	ACET624 Stainless Steel Chevron	100	pack	ETC624	MF SA KL HP M GOZ W Z PC
	ACET625 Anti-Twist Clip	100	pack	ETC631 ETC632 ETC636	MF SA KL HP M GOZ W Z PC
	ACET629 Crimping Cleat	24	pack	ETC628	MF SA KL HP M GOZ W Z PC
	ACET6301 Cruciform Bracket	10	pack	ETC6301	MF SA KL HP M GOZ W Z PC
	ACET634 Cruciform Fixing Plate	10	pack	ETC634	MF SA KL HP M GOZ W Z PC
<p>T-BARS ACVG65=2.5mm ACVG66=3.0mm ACVL150=4.0mm</p> <p>Screw (Grub)</p>	MF = Mill Finish SA = Silver Anodised KL = Basic Colour HP = Special Colour M = Dual Colour GOZ = Gold PC = Polished Chrome W = White Z = Black				

Image	Part Code	Pack	Unit	Application	Colour																		
	ACET642 Espagnolette location block	100	pack	ETC622	<table border="1"> <tr><td>MF</td><td></td></tr> <tr><td>SA</td><td></td></tr> <tr><td>KL</td><td></td></tr> <tr><td>HP</td><td></td></tr> <tr><td>M</td><td></td></tr> <tr><td>GOZ</td><td></td></tr> <tr><td>W</td><td></td></tr> <tr><td>Z</td><td></td></tr> <tr><td>PC</td><td></td></tr> </table>	MF		SA		KL		HP		M		GOZ		W		Z		PC	
MF																							
SA																							
KL																							
HP																							
M																							
GOZ																							
W																							
Z																							
PC																							
	ACET645 Shoot Bolts	1	pair	ETC648	<table border="1"> <tr><td>MF</td><td></td></tr> <tr><td>SA</td><td></td></tr> <tr><td>KL</td><td></td></tr> <tr><td>HP</td><td></td></tr> <tr><td>M</td><td></td></tr> <tr><td>GOZ</td><td></td></tr> <tr><td>W</td><td></td></tr> <tr><td>Z</td><td></td></tr> <tr><td>PC</td><td></td></tr> </table>	MF		SA		KL		HP		M		GOZ		W		Z		PC	
MF																							
SA																							
KL																							
HP																							
M																							
GOZ																							
W																							
Z																							
PC																							
	ACET647 Crimping Cleat	24	pack	ETC647	<table border="1"> <tr><td>MF</td><td></td></tr> <tr><td>SA</td><td></td></tr> <tr><td>KL</td><td></td></tr> <tr><td>HP</td><td></td></tr> <tr><td>M</td><td></td></tr> <tr><td>GOZ</td><td></td></tr> <tr><td>W</td><td></td></tr> <tr><td>Z</td><td></td></tr> <tr><td>PC</td><td></td></tr> </table>	MF		SA		KL		HP		M		GOZ		W		Z		PC	
MF																							
SA																							
KL																							
HP																							
M																							
GOZ																							
W																							
Z																							
PC																							
	ACET648 Meeting Stile End Cap	10	pair	ETC648	<table border="1"> <tr><td>MF</td><td></td></tr> <tr><td>SA</td><td></td></tr> <tr><td>KL</td><td></td></tr> <tr><td>HP</td><td></td></tr> <tr><td>M</td><td></td></tr> <tr><td>GOZ</td><td></td></tr> <tr><td>W</td><td>✓</td></tr> <tr><td>Z</td><td>✓</td></tr> <tr><td>PC</td><td></td></tr> </table>	MF		SA		KL		HP		M		GOZ		W	✓	Z	✓	PC	
MF																							
SA																							
KL																							
HP																							
M																							
GOZ																							
W	✓																						
Z	✓																						
PC																							
	ACET657 Bridge Packer	10	pack	ETC624	<table border="1"> <tr><td>MF</td><td></td></tr> <tr><td>SA</td><td></td></tr> <tr><td>KL</td><td></td></tr> <tr><td>HP</td><td></td></tr> <tr><td>M</td><td></td></tr> <tr><td>GOZ</td><td></td></tr> <tr><td>W</td><td></td></tr> <tr><td>Z</td><td></td></tr> <tr><td>PC</td><td></td></tr> </table>	MF		SA		KL		HP		M		GOZ		W		Z		PC	
MF																							
SA																							
KL																							
HP																							
M																							
GOZ																							
W																							
Z																							
PC																							
<p>T-BARS ACVG65=2.5mm ACVG66=3.0mm ACVL150=4.0mm</p> <p>Screw (Gnub)</p>	MF = Mill Finish SA = Silver Anodised KL = Basic Colour HP = Special Colour M = Dual Colour GOZ = Gold PC = Polished Chrome W = White Z = Black																						

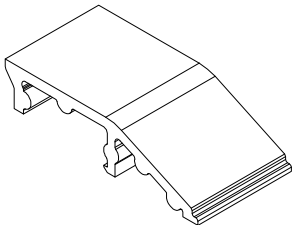
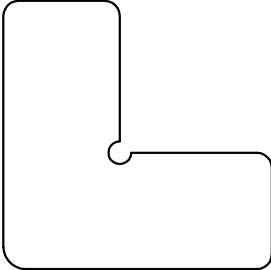
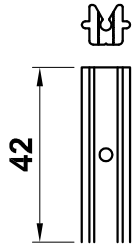
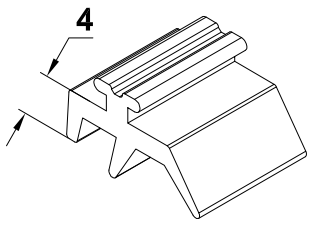
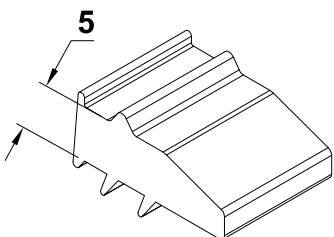

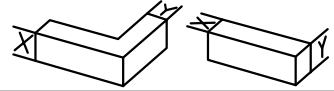
Image	Part Code	Pack	Unit	Application	Colour	
	ACET680 Riser Block	100	pack	ETC611 ETC612 ETC614 ETC615 ETC619	MF	
					SA	
					KL	
					HP	
					M	
					GOZ	
					W	✓
					Z	✓
					PC	
	ACET827 Chevron	100	pack		MF	
					SA	
					KL	
					HP	
					M	
					GOZ	
					W	
					Z	
					PC	
	ACET832 Transom bracket	10	pack	ETC634	MF	
					SA	
					KL	
					HP	
					M	
					GOZ	
					W	
					Z	
					PC	
	ACET835 4mm External Captive Gasket	200	m		MF	
					SA	
					KL	
					HP	
					M	
					GOZ	
					W	
					Z	✓
					PC	
	ACET840 5mm Low Line Wedge	150	m		MF	
					SA	
					KL	
					HP	
					M	
					GOZ	
					W	
					Z	✓
					PC	
 <p>T-BARS ACVG65=2.5mm ACVG66=3.0mm ACVL150=4.0mm</p> <p>Screw (Grub)</p>	MF = Mill Finish SA = Silver Anodised KL = Basic Colour HP = Special Colour M = Dual Colour	GOZ = Gold PC = Polished Chrome W = White Z = Black				

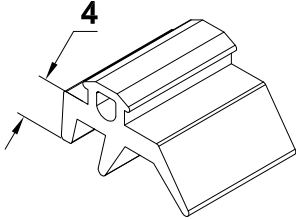
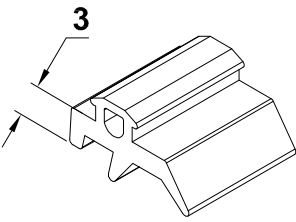
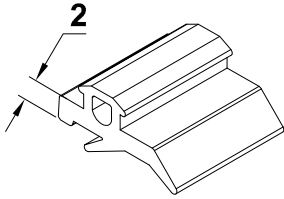
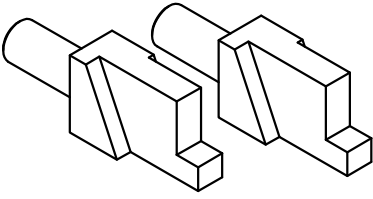


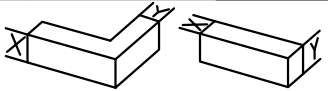
Image	Part Code	Pack	Unit	Application	Colour	
	ACET841 4mm Low Line External Gasket	200	m		MF	
					SA	
					KL	
					HP	
					M	
					GOZ	
					W	
					Z	✓
					PC	
	ACET842 3mm Low Line External Gasket	200	m		MF	
					SA	
					KL	
					HP	
					M	
					GOZ	
					W	
					Z	
					PC	
	ACET843 2mm Low Line External Gasket	200	m		MF	
					SA	
					KL	
					HP	
					M	
					GOZ	
					W	
					Z	
					PC	
	ACET904 Crimping Punch	1	pair	ETC610 ETC612 ETC613 ETC614 ETC619 ETC620 ETC622 ETC623 ETC624 ETC625 ETC647	MF	
					SA	
					KL	
					HP	
					M	
					GOZ	
					W	
					Z	
					PC	
	ACET907 Stepped Twist Drill for Corner Joints	1	each	ETC620 ETC623 ETC624 ETC625	MF	
					SA	
					KL	
					HP	
					M	
					GOZ	
					W	
					Z	
					PC	
 <p>T-BARS ACVG65=2.5mm ACVG66=3.0mm ACVL150=4.0mm</p> <p>Screw (Gnub)</p>	MF = Mill Finish SA = Silver Anodised KL = Basic Colour HP = Special Colour M = Dual Colour	GOZ = Gold PC = Polished Chrome W = White Z = Black				

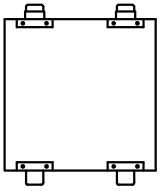
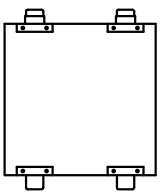
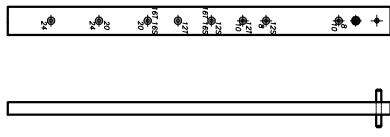
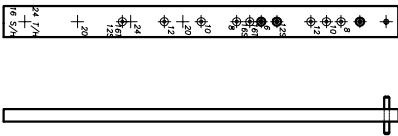
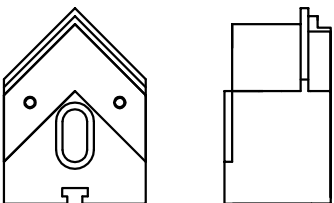

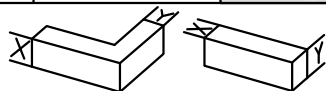
Image	Part Code	Pack	Unit	Application	Colour
	ACET914 Punch Tool	1	each	ETC610 ETC611 ETC612 ETC613 ETC614 ETC616 ETC619 ETC631 ETC633 ETC635 ETC636 ETC638	MF SA KL HP M GOZ W Z PC
	ACET939 Punch Tool	1	each	ETC6101 ETC624 ETC628 ETC645	MF SA KL HP M GOZ W Z PC
	ACET943 Friction Hinge Drill Jig For Standard Top Hung & Side Hung (16mm Stack)	1	each	ETC620 ETC621 ETC623 ETC624 ETC625	MF SA KL HP M GOZ W Z PC
	ACET944 Friction Hinge Drill Jig For Standard Top Hung & Side Hung (13mm Stack)	1	each	ETC622	MF SA KL HP M GOZ W Z PC
	ACET979 Vee Block	1	each	ETC621	MF SA KL HP M GOZ W Z PC
	<p>T-BARS ACV G65=2.5mm ACV G66=3.0mm ACVL150=4.0mm</p> <p>Screw (Grub)</p> <p>MF = Mill Finish SA = Silver Anodised KL = Basic Colour HP = Special Colour M = Dual Colour</p> <p>GOZ = Gold PC = Polished Chrome W = White Z = Black</p>				

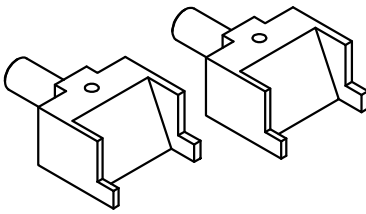
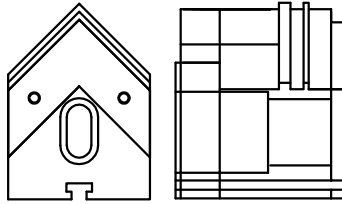
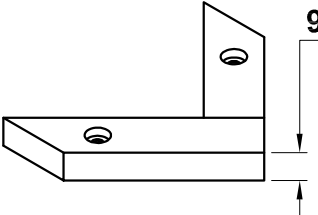
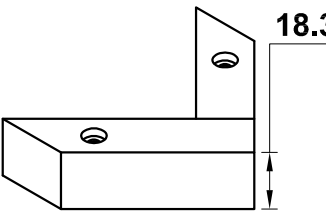
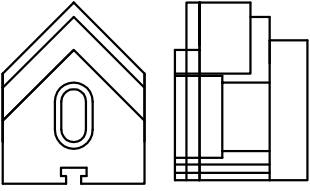

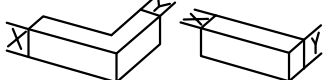
Image	Part Code	Pack	Unit	Application	Colour
	ACET981 Crimping Punch	1	pair	ETC621	MF SA KL HP M GOZ W Z PC
	ACET984 Vee Block	1	each	ETC610 ETC612 ETC614 ETC619 ETC620 ETC625 ETC613	MF SA KL HP M GOZ W Z PC
	ACET985 9mm Packer for use with vee block ACET984	1	each	ETC610 ETC612 ETC614 ETC619 ETC620 ETC625 ETC613	MF SA KL HP M GOZ W Z PC
	ACET986 18.3mm Packer for use with vee block ACET984	1	each	ETC613	MF SA KL HP M GOZ W Z PC
	ACET987 Vee Block	1	each	ETC623 ETC624	MF SA KL HP M GOZ W Z PC
	<p>T-BARS ACVG65=2.5mm ACVG66=3.0mm ACVL150=4.0mm</p> <p>Screw (Gnub)</p>	<p>MF = Mill Finish SA = Silver Anodised KL = Basic Colour HP = Special Colour M = Dual Colour</p> <p>GOZ = Gold PC = Polished Chrome W = White Z = Black</p>			

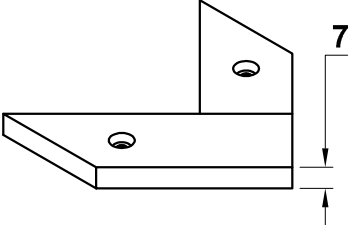
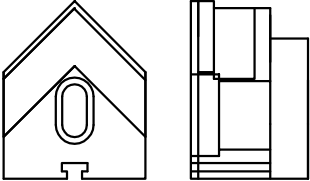
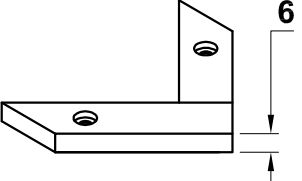
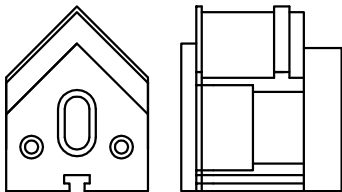
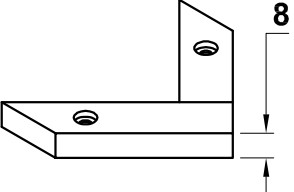

Image	Part Code	Pack	Unit	Application	Colour
	ACET988 7mm Packer for use with vee block ACET987	1	each	ETC623 ETC624	MF
					SA
					KL
					HP
					M
					GOZ
					W
					Z
					PC
					
SA					
KL					
HP					
M					
GOZ					
W					
Z					
PC					
	ACET992 6mm Packer used with vee block ACET979	1	each	ETC621	
					SA
					KL
					HP
					M
					GOZ
					W
					Z
					PC
					
SA					
KL					
HP					
M					
GOZ					
W					
Z					
PC					
	ACET994 8mm Packer used with vee block ACET993	1	each	ETC615	
					SA
					KL
					HP
					M
					GOZ
					W
					Z
					PC
					 <small>T-BARS ACVG65=2.5mm ACVG66=3.0mm ACVL150=4.0mm</small>

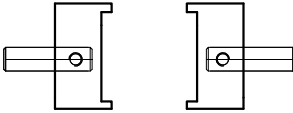

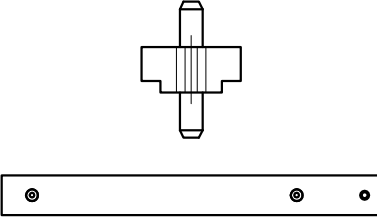
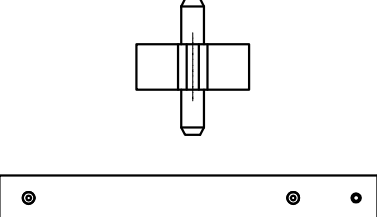
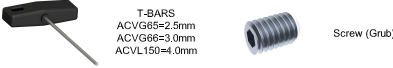


Image	Part Code	Pack	Unit	Application	Colour
	ACET997 Crimping Punch	1	pair	ETC615	MF
					SA
					KL
					HP
					M
					GOZ
					W
					Z
					PC
					
SA					
KL					
HP					
M					
GOZ					
W					
Z					
PC					
	ACETME93 Drill Jig for ACETME13	1	each	ACETME13	
					SA
					KL
					HP
					M
					GOZ
					W
					Z
					PC
					
SA					
KL					
HP					
M					
GOZ					
W					
Z					
PC					
	ACUN130				
					SA
					KL
					HP
					M
					GOZ
					W
					Z
					PC
					 <p>T-BARS ACVG65=2.5mm ACVG66=3.0mm ACVL150=4.0mm</p>  <p>Screw (Gnub)</p>
MF = Mill Finish GOZ = Gold SA = Silver Anodised PC = Polished Chrome KL = Basic Colour W = White HP = Special Colour Z = Black M = Dual Colour					

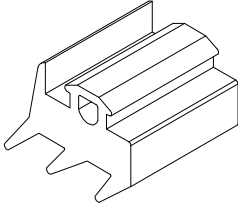
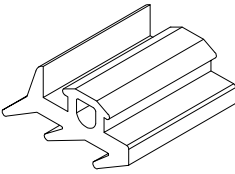
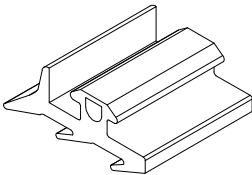
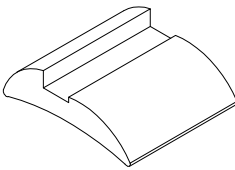
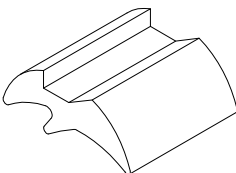


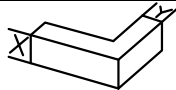
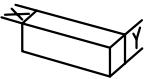
Image	Part Code	Pack	Unit	Application	Colour	
	ACVG131 4mm External Gasket	100	m		MF	
					SA	
					KL	
					HP	
					M	
					GOZ	
					W	
					Z	✓
					PC	
	ACVG231 2mm External Gasket	100	m		MF	
					SA	
					KL	
					HP	
					M	
					GOZ	
					W	
					Z	✓
					PC	
	ACVG31 3mm External Gasket	200	m		MF	
					SA	
					KL	
					HP	
					M	
					GOZ	
					W	
					Z	✓
					PC	
	ACVG32 3mm Wedge Gasket	100	m		MF	
					SA	
					KL	
					HP	
					M	
					GOZ	
					W	
					Z	✓
					PC	
	ACVG33 4mm Wedge Gasket	100	m		MF	
					SA	
					KL	
					HP	
					M	
					GOZ	
					W	
					Z	✓
					PC	
 <p>T-BARS ACVG65=2.5mm ACVG66=3.0mm ACVL150=4.0mm</p>  <p>Screw (Gnub)</p>	MF = Mill Finish SA = Silver Anodised KL = Basic Colour HP = Special Colour M = Dual Colour	GOZ = Gold PC = Polished Chrome W = White Z = Black	 			

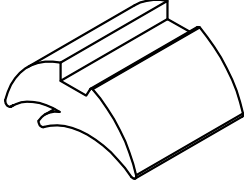
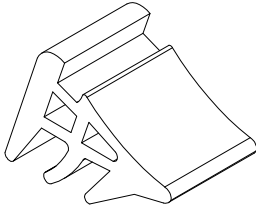
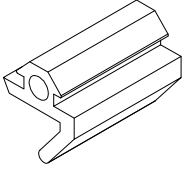
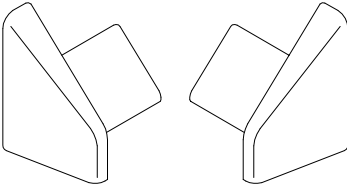
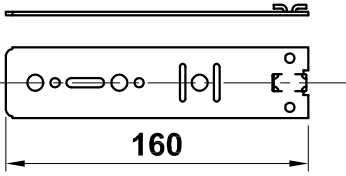


Image	Part Code	Pack	Unit	Application	Colour	
	ACVG34 5mm Wedge Gasket	100	m		MF	
					SA	
					KL	
					HP	
					M	
					GOZ	
					W	
					Z	✓
					PC	
						ACVG49 6mm Wedge Gasket
SA						
KL						
HP						
M						
GOZ						
W						
Z	✓					
PC						
	ACVL032 Flipper Gasket	100	m			
					SA	
					KL	
					HP	
					M	
					GOZ	
					W	
					Z	✓
					PC	
						ACVL059 End Caps
SA						
KL						
HP						
M						
GOZ						
W	✓					
Z	✓					
PC						
	ACVL130 Galvanised Steel Fixing Strap 160mm x 38mm x 2mm	1	each	ETC052		
					SA	
					KL	
					HP	
					M	
					GOZ	
					W	
					Z	
					PC	
					 <p>T-BARS ACVG65=2.5mm ACVG66=3.0mm ACVL150=4.0mm</p>  <p>Screw (Grub)</p>	MF = Mill Finish SA = Silver Anodised KL = Basic Colour HP = Special Colour M = Dual Colour

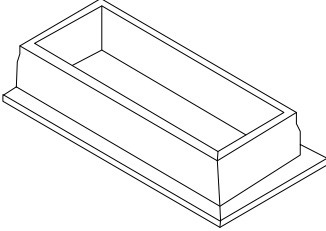
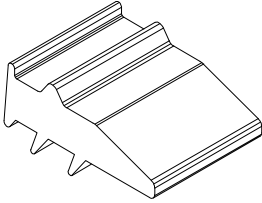
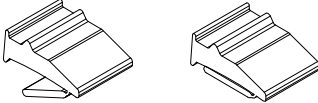

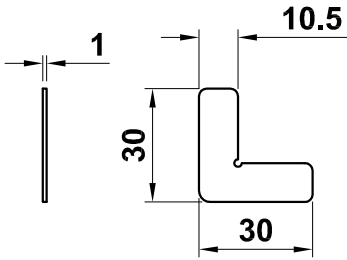

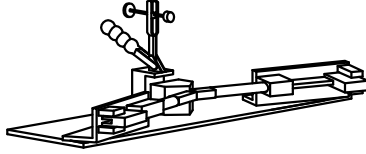

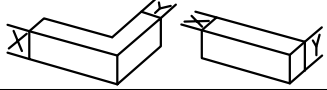
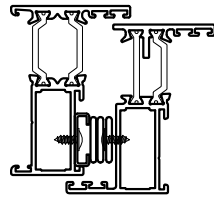
Image	Part Code	Pack	Unit	Application	Colour	
	ACVL635 End Cap (Black Only)	1	each	ETC636	MF	
					SA	
					KL	
					HP	
					M	
					GOZ	
					W	
					Z	
					PC	
						ACW20034 4mm Low Line Wedge Gasket
SA						
KL						
HP						
M						
GOZ						
W						
Z	✓					
PC						
 <p style="text-align: center;">Compressed</p>	ACW20038 4mm to 3mm Tear-off Low Line Wedge Gasket	200	m			
					SA	
					KL	
					HP	
					M	
					GOZ	
					W	
					Z	✓
					PC	
						ACW20432 Keep
SA						
KL						
HP						
M						
GOZ						
W						
Z	✓					
PC						
	WCA106 Stainless Steel Chevron	100	pack	ETC623		
					SA	
					KL	
					HP	
					M	
					GOZ	
					W	
					Z	
					PC	
					 <p>T-BARS ACVG65=2.5mm ACVG66=3.0mm ACVL150=4.0mm</p> <p>Screw (Grub)</p>	MF = Mill Finish SA = Silver Anodised KL = Basic Colour HP = Special Colour M = Dual Colour

Image	Part Code	Pack	Unit	Application	Colour																		
	<p>WUT024HSZA</p> <p>Manual Crimper</p> <p>Note: Vee blocks & punches are sold separately</p>	1	each		<table border="1"> <tr><td>MF</td><td></td></tr> <tr><td>SA</td><td></td></tr> <tr><td>KL</td><td></td></tr> <tr><td>HP</td><td></td></tr> <tr><td>M</td><td></td></tr> <tr><td>GOZ</td><td></td></tr> <tr><td>W</td><td></td></tr> <tr><td>Z</td><td></td></tr> <tr><td>PC</td><td></td></tr> </table>	MF		SA		KL		HP		M		GOZ		W		Z		PC	
MF																							
SA																							
KL																							
HP																							
M																							
GOZ																							
W																							
Z																							
PC																							
					<table border="1"> <tr><td>MF</td><td></td></tr> <tr><td>SA</td><td></td></tr> <tr><td>KL</td><td></td></tr> <tr><td>HP</td><td></td></tr> <tr><td>M</td><td></td></tr> <tr><td>GOZ</td><td></td></tr> <tr><td>W</td><td></td></tr> <tr><td>Z</td><td></td></tr> <tr><td>PC</td><td></td></tr> </table>	MF		SA		KL		HP		M		GOZ		W		Z		PC	
MF																							
SA																							
KL																							
HP																							
M																							
GOZ																							
W																							
Z																							
PC																							
					<table border="1"> <tr><td>MF</td><td></td></tr> <tr><td>SA</td><td></td></tr> <tr><td>KL</td><td></td></tr> <tr><td>HP</td><td></td></tr> <tr><td>M</td><td></td></tr> <tr><td>GOZ</td><td></td></tr> <tr><td>W</td><td></td></tr> <tr><td>Z</td><td></td></tr> <tr><td>PC</td><td></td></tr> </table>	MF		SA		KL		HP		M		GOZ		W		Z		PC	
MF																							
SA																							
KL																							
HP																							
M																							
GOZ																							
W																							
Z																							
PC																							
					<table border="1"> <tr><td>MF</td><td></td></tr> <tr><td>SA</td><td></td></tr> <tr><td>KL</td><td></td></tr> <tr><td>HP</td><td></td></tr> <tr><td>M</td><td></td></tr> <tr><td>GOZ</td><td></td></tr> <tr><td>W</td><td></td></tr> <tr><td>Z</td><td></td></tr> <tr><td>PC</td><td></td></tr> </table>	MF		SA		KL		HP		M		GOZ		W		Z		PC	
MF																							
SA																							
KL																							
HP																							
M																							
GOZ																							
W																							
Z																							
PC																							
					<table border="1"> <tr><td>MF</td><td></td></tr> <tr><td>SA</td><td></td></tr> <tr><td>KL</td><td></td></tr> <tr><td>HP</td><td></td></tr> <tr><td>M</td><td></td></tr> <tr><td>GOZ</td><td></td></tr> <tr><td>W</td><td></td></tr> <tr><td>Z</td><td></td></tr> <tr><td>PC</td><td></td></tr> </table>	MF		SA		KL		HP		M		GOZ		W		Z		PC	
MF																							
SA																							
KL																							
HP																							
M																							
GOZ																							
W																							
Z																							
PC																							
 <p>T-BARS ACVG65=2,5mm ACVG66=3,0mm ACVL150=4,0mm</p> <p>Screw (Grub)</p>	<p>MF = Mill Finish SA = Silver Anodised KL = Basic Colour HP = Special Colour M = Dual Colour</p> <p>GOZ = Gold PC = Polished Chrome W = White Z = Black</p>																						



ETC622

Friction Hinge Stays 13mm Stack (Standard)

Top Hung Windows

Top Hung	Type of Hinge / Stay	Max. Vent	Height		Typical
		Weight (kgs)	Minimum	Maximum	Width
ACINDS10	Standard	16	275	400	-
ACINDS16		21	400	780	-
ACINDS20		20	700	1100	-
ACINDS24		40	850	1300	-
ACINDA10	Austenitic	16	275	400	-
ACINDA16		21	400	780	-
ACINDA20		20	700	1100	-
ACINDA24		40	850	1300	-
ACINDR12	Restricted	20	350	550	-
ACINDR16		21	500	780	-
ACINDR20		26	700	1100	-
ACINDR24		40	850	1300	-

Side Hung Windows

Side Hung	Type of Hinge / Stay	Max. Vent	Width		Typical
		Weight (kgs)	Minimum	Maximum	Height
ACINDSSH12	Standard	22	300	600	-
ACINDSSH16		28	400	700	-
ACINDASH12	Austenitic	22	300	600	-
ACINDASH16		28	400	700	-
ACINDRSH12	Restricted	22	300	600	-
ACINDRSH16		24	400	700	-
ACETME13	Egress	40	364	864	-

Note1: Vent Height / Width is measured in mm from rebate to rebate (not overall size or outer frame)
Note2: Top hung height and side hung width sizes to be reduced by 2mm where size is 450mm or smaller
Note3: Typical Dimensions based on Max. Size and Glass 30kg/metre
Note4: * ACINVSH12 has a minimum order of 25 pairs

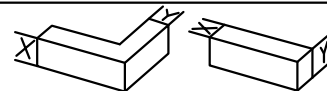


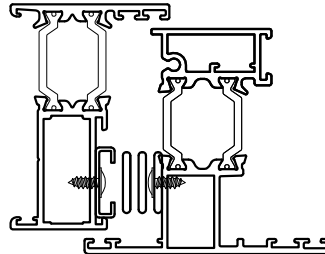
T-BARS
ACVG65=2.5mm
ACVG66=3.0mm
ACVL150=4.0mm



Screw (Grub)

MF = Mill Finish GOZ = Gold
 SA = Silver Anodised PC = Polished Chrome
 KL = Basic Colour W = White
 HP = Special Colour Z = Black
 M = Dual Colour





ETC620 **ETC624**
ETC621 **ETC625**
ETC623 **ETC627**
 ETC628

Friction Hinge Stays 16mm Stack (Standard)

Top Hung Windows

Top Hung	Type of Hinge / Stay	Max. Vent	Height		Typical
		Weight (kgs)	Minimum	Maximum	Width
ACETDHS08	Standard	12	200	350	-
ACETDHS10		16	275	400	-
ACETDHS12		20	350	550	-
ACETDHS16		21	500	780	-
ACETDHS20		26	700	1100	-
ACETDHS24		40	850	1300	-
ACETDTH24		Heavy Duty	50	850	1500
ACETDHS12R	Restricted	20	350	550	-
ACETDHS16R		21	500	780	-
ACETDHS20R		26	700	1100	-
ACETDHS24R		40	850	1300	-

Side Hung Windows

Side Hung	Type of Hinge / Stay	Max. Vent	Width		Typical
		Weight (kgs)	Minimum	Maximum	Height
ACETDHSSH12	Standard	22	320	600	-
ACETDHSSH16		24	420	700	-
ACETDHRSH12	Restricted	22	300	600	-
ACETDHRSH16		24	400	700	-
ACETME16	Egress	40	364	864	-
ACETDSH16	Heavy Duty	40	400	1000	-

Note1: Vent Height / Width is measured in mm from rebate to rebate (not overall size or outer frame)

Note2: Top hung height and side hung width sizes to be reduced by 2mm where size is 450mm or smaller

Note3: Typical Dimensions based on Max. Size and Glass 30kg/metre

Note4: * ACINVSH12 has a minimum order of 25 pairs

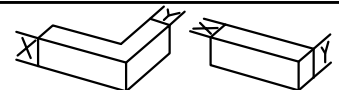


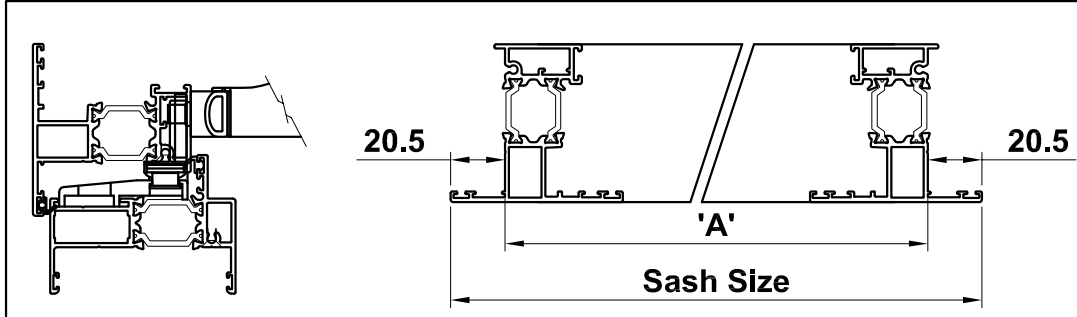
T-BARS
ACV665=2.5mm
ACV666=3.0mm
ACVL150=4.0mm



Screw (Grub)

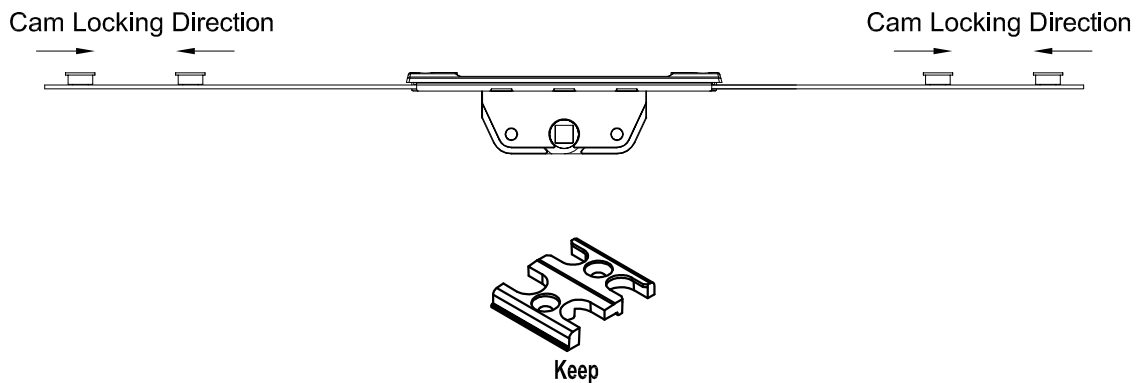
MF = Mill Finish GOZ = Gold
SA = Silver Anodised PC = Polished Chrome
KL = Basic Colour W = White
HP = Special Colour Z = Black
M = Dual Colour










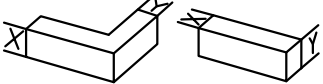


Part Code	Rod Length (mm)	Number of Keeps	Sash Rebate Size ('A')	
			Minimum	Maximum
ACET601L	335	2	340	505
ACET601R				
ACET602L	500	2	506	755
ACET602R				
ACET603L	750	2	756	1005
ACET603R				
ACET604L	1000	4	1006	1255
ACET604R				
ACET605L	1250	4	1256	1400
ACET605R				

Note: To Suit Handle ACET165









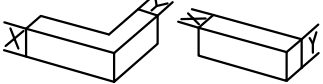
STANDARD ACCESSORIES

Image	Part Code	Pack	Unit	Application	Colour																		
	ACMX09700 Alu. Polish	1	each		<table border="1"> <tr><td>MF</td><td>✓</td></tr> <tr><td>SA</td><td></td></tr> <tr><td>KL</td><td></td></tr> <tr><td>HP</td><td></td></tr> <tr><td>M</td><td></td></tr> <tr><td>GOZ</td><td></td></tr> <tr><td>W</td><td></td></tr> <tr><td>Z</td><td></td></tr> <tr><td>PC</td><td></td></tr> </table>	MF	✓	SA		KL		HP		M		GOZ		W		Z		PC	
MF	✓																						
SA																							
KL																							
HP																							
M																							
GOZ																							
W																							
Z																							
PC																							
	ACMX09761 Maxi Gloss	1	each		<table border="1"> <tr><td>MF</td><td></td></tr> <tr><td>SA</td><td></td></tr> <tr><td>KL</td><td></td></tr> <tr><td>HP</td><td></td></tr> <tr><td>M</td><td></td></tr> <tr><td>GOZ</td><td></td></tr> <tr><td>W</td><td></td></tr> <tr><td>Z</td><td></td></tr> <tr><td>PC</td><td></td></tr> </table>	MF		SA		KL		HP		M		GOZ		W		Z		PC	
MF																							
SA																							
KL																							
HP																							
M																							
GOZ																							
W																							
Z																							
PC																							
	ACMX09762 Alu. Bright	1	each		<table border="1"> <tr><td>MF</td><td></td></tr> <tr><td>SA</td><td></td></tr> <tr><td>KL</td><td></td></tr> <tr><td>HP</td><td></td></tr> <tr><td>M</td><td></td></tr> <tr><td>GOZ</td><td></td></tr> <tr><td>W</td><td></td></tr> <tr><td>Z</td><td></td></tr> <tr><td>PC</td><td></td></tr> </table>	MF		SA		KL		HP		M		GOZ		W		Z		PC	
MF																							
SA																							
KL																							
HP																							
M																							
GOZ																							
W																							
Z																							
PC																							
	ACMX09763 Teflon Spray	1	each		<table border="1"> <tr><td>MF</td><td></td></tr> <tr><td>SA</td><td></td></tr> <tr><td>KL</td><td></td></tr> <tr><td>HP</td><td></td></tr> <tr><td>M</td><td></td></tr> <tr><td>GOZ</td><td></td></tr> <tr><td>W</td><td></td></tr> <tr><td>Z</td><td></td></tr> <tr><td>PC</td><td></td></tr> </table>	MF		SA		KL		HP		M		GOZ		W		Z		PC	
MF																							
SA																							
KL																							
HP																							
M																							
GOZ																							
W																							
Z																							
PC																							
	ACMX09764 Maxi Clean	1	each		<table border="1"> <tr><td>MF</td><td></td></tr> <tr><td>SA</td><td></td></tr> <tr><td>KL</td><td></td></tr> <tr><td>HP</td><td></td></tr> <tr><td>M</td><td></td></tr> <tr><td>GOZ</td><td></td></tr> <tr><td>W</td><td></td></tr> <tr><td>Z</td><td></td></tr> <tr><td>PC</td><td></td></tr> </table>	MF		SA		KL		HP		M		GOZ		W		Z		PC	
MF																							
SA																							
KL																							
HP																							
M																							
GOZ																							
W																							
Z																							
PC																							
 <p>T-BARS ACV/G65=2.5mm ACV/G66=3.0mm ACV/L150=4.0mm</p>  <p>Screw (Gnub)</p>	<p>MF = Mill Finish SA = Silver Anodised KL = Basic Colour HP = Special Colour</p> <p>M = Dual Colour GOZ = Gold W = White Z = Black</p>																						


STANDARD ACCESSORIES

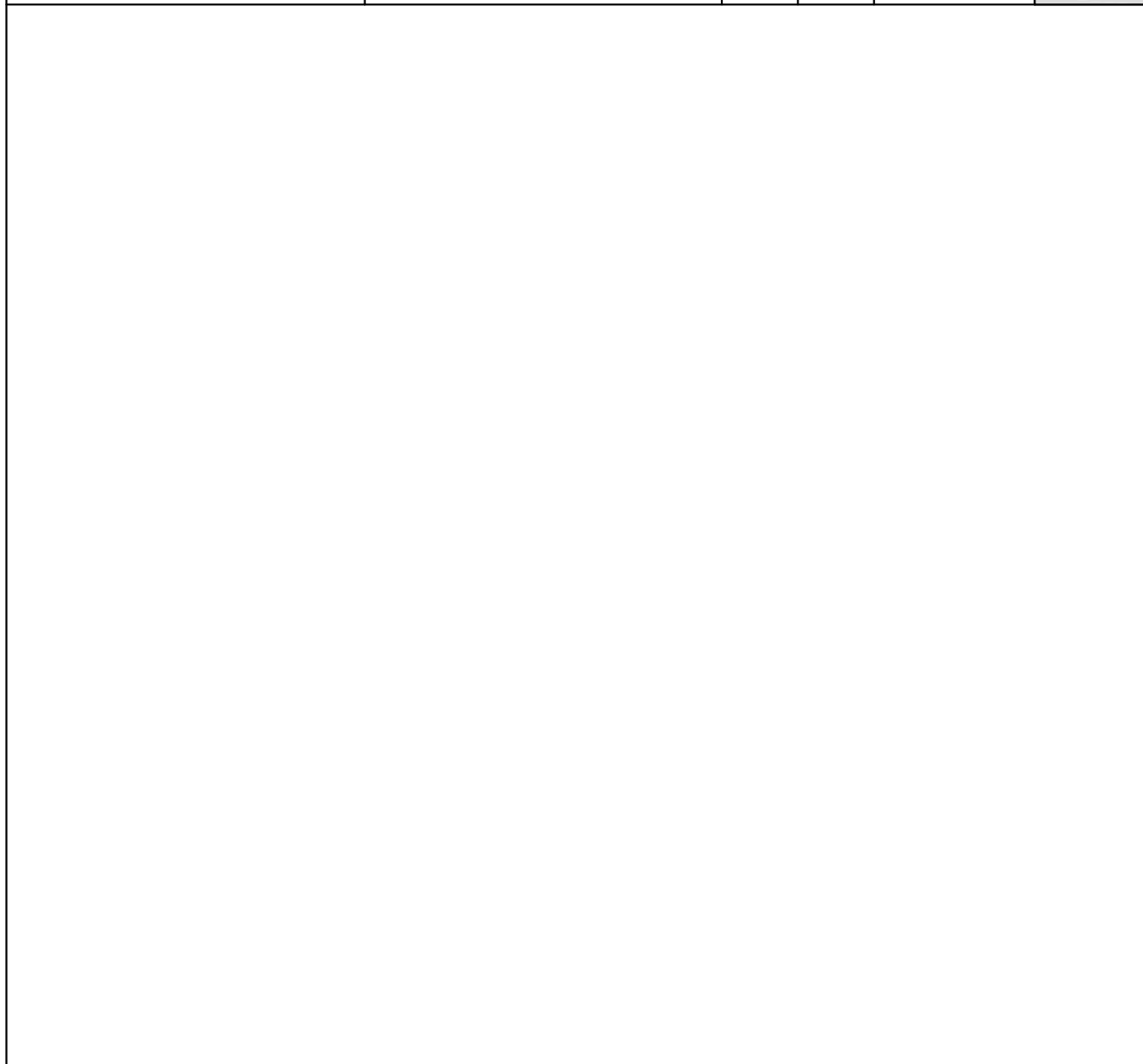
Image	Part Code	Pack	Unit	Application	Colour
	ACMX09765 Alu. Cleaner	1	each		MF SA KL HP M GOZ W Z PC
	ACMX09770 Roll & Wrap 100mm	1	each		MF SA KL HP M GOZ W Z PC
	ACMX09775 Grip Handwrap	1	each		MF SA KL HP M GOZ W Z PC
	ACMX09801 Protective Tape 50mm	1	each		MF SA KL HP M GOZ W Z PC
	ACMX09802 Protective Tape 70mm	1	each		MF SA KL HP M GOZ W Z PC
 <p>T-BARS ACVG65=2.5mm ACVG66=3.0mm ACVL150=4.0mm</p>  <p>Screw (Grub)</p>	MF = Mill Finish SA = Silver Anodised KL = Basic Colour HP = Special Colour	M = Dual Colour GOZ = Gold W = White Z = Black			

STANDARD ACCESSORIES

Image	Part Code	Pack	Unit	Application	Colour																		
	ACMX09803 Protective Tape 100mm	1	each		<table border="1"> <tr><td>MF</td><td></td></tr> <tr><td>SA</td><td></td></tr> <tr><td>KL</td><td></td></tr> <tr><td>HP</td><td></td></tr> <tr><td>M</td><td></td></tr> <tr><td>GOZ</td><td></td></tr> <tr><td>W</td><td></td></tr> <tr><td>Z</td><td></td></tr> <tr><td>PC</td><td></td></tr> </table>	MF		SA		KL		HP		M		GOZ		W		Z		PC	
MF																							
SA																							
KL																							
HP																							
M																							
GOZ																							
W																							
Z																							
PC																							
	ACMX09830 Rubber Sealant	1	each		<table border="1"> <tr><td>MF</td><td></td></tr> <tr><td>SA</td><td></td></tr> <tr><td>KL</td><td></td></tr> <tr><td>HP</td><td></td></tr> <tr><td>M</td><td></td></tr> <tr><td>GOZ</td><td></td></tr> <tr><td>W</td><td></td></tr> <tr><td>Z</td><td></td></tr> <tr><td>PC</td><td></td></tr> </table>	MF		SA		KL		HP		M		GOZ		W		Z		PC	
MF																							
SA																							
KL																							
HP																							
M																							
GOZ																							
W																							
Z																							
PC																							
	ACSIL04 Sealing Glue Order with suffix of KL colour (eg.ACSIL04KL005) or BL=Black/WP=White/CL=Clear	1	each		<table border="1"> <tr><td>MF</td><td></td></tr> <tr><td>SA</td><td></td></tr> <tr><td>KL</td><td>✓</td></tr> <tr><td>HP</td><td></td></tr> <tr><td>M</td><td></td></tr> <tr><td>GOZ</td><td></td></tr> <tr><td>W</td><td>✓</td></tr> <tr><td>Z</td><td>✓</td></tr> <tr><td>PC</td><td></td></tr> </table>	MF		SA		KL	✓	HP		M		GOZ		W	✓	Z	✓	PC	
MF																							
SA																							
KL	✓																						
HP																							
M																							
GOZ																							
W	✓																						
Z	✓																						
PC																							
	ACSIL08 Silicon Gun	1	each		<table border="1"> <tr><td>MF</td><td></td></tr> <tr><td>SA</td><td></td></tr> <tr><td>KL</td><td></td></tr> <tr><td>HP</td><td></td></tr> <tr><td>M</td><td></td></tr> <tr><td>GOZ</td><td></td></tr> <tr><td>W</td><td></td></tr> <tr><td>Z</td><td></td></tr> <tr><td>PC</td><td></td></tr> </table>	MF		SA		KL		HP		M		GOZ		W		Z		PC	
MF																							
SA																							
KL																							
HP																							
M																							
GOZ																							
W																							
Z																							
PC																							
	ACSIL013 Glue for Mitre	1	each		<table border="1"> <tr><td>MF</td><td></td></tr> <tr><td>SA</td><td></td></tr> <tr><td>KL</td><td></td></tr> <tr><td>HP</td><td></td></tr> <tr><td>M</td><td></td></tr> <tr><td>GOZ</td><td></td></tr> <tr><td>W</td><td></td></tr> <tr><td>Z</td><td></td></tr> <tr><td>PC</td><td></td></tr> </table>	MF		SA		KL		HP		M		GOZ		W		Z		PC	
MF																							
SA																							
KL																							
HP																							
M																							
GOZ																							
W																							
Z																							
PC																							
 <p>T-BARS ACV/G65=2.5mm ACV/G66=3.0mm ACV/L150=4.0mm</p> <p>Screw (Grub)</p>	<p>MF = Mill Finish SA = Silver Anodised KL = Basic Colour HP = Special Colour</p> <p>M = Dual Colour GOZ = Gold W = White Z = Black</p>																						

STANDARD ACCESSORIES

Image	Part Code	Pack	Unit	Application	Colour
	ACSIL014 Anti-Corrosion Coating	1	each		MF <input checked="" type="checkbox"/>
					SA <input type="checkbox"/>
					KL <input type="checkbox"/>
					HP <input type="checkbox"/>
					M <input type="checkbox"/>
					GOZ <input type="checkbox"/>
					W <input type="checkbox"/>
					Z <input type="checkbox"/>
PC <input type="checkbox"/>					



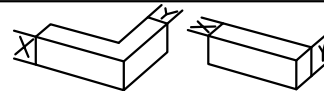
T-BARS
ACVG65=2.5mm
ACVG66=3.0mm
ACVL150=4.0mm



Screw (Stub)

MF = Mill Finish
SA = Silver Anodised
KL = Basic Colour
HP = Special Colour

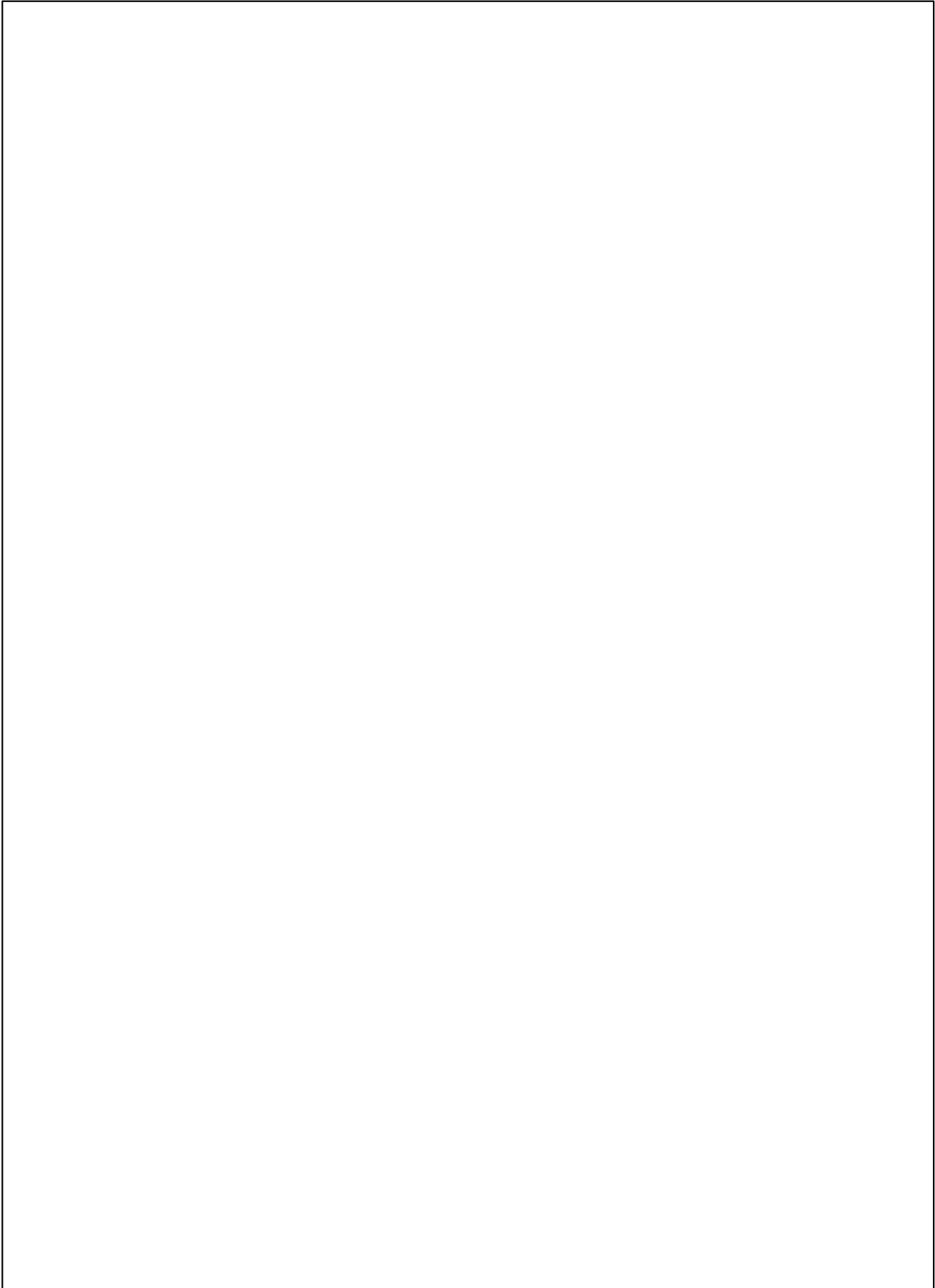
M = Dual Colour
GOZ = Gold
W = White
Z = Black



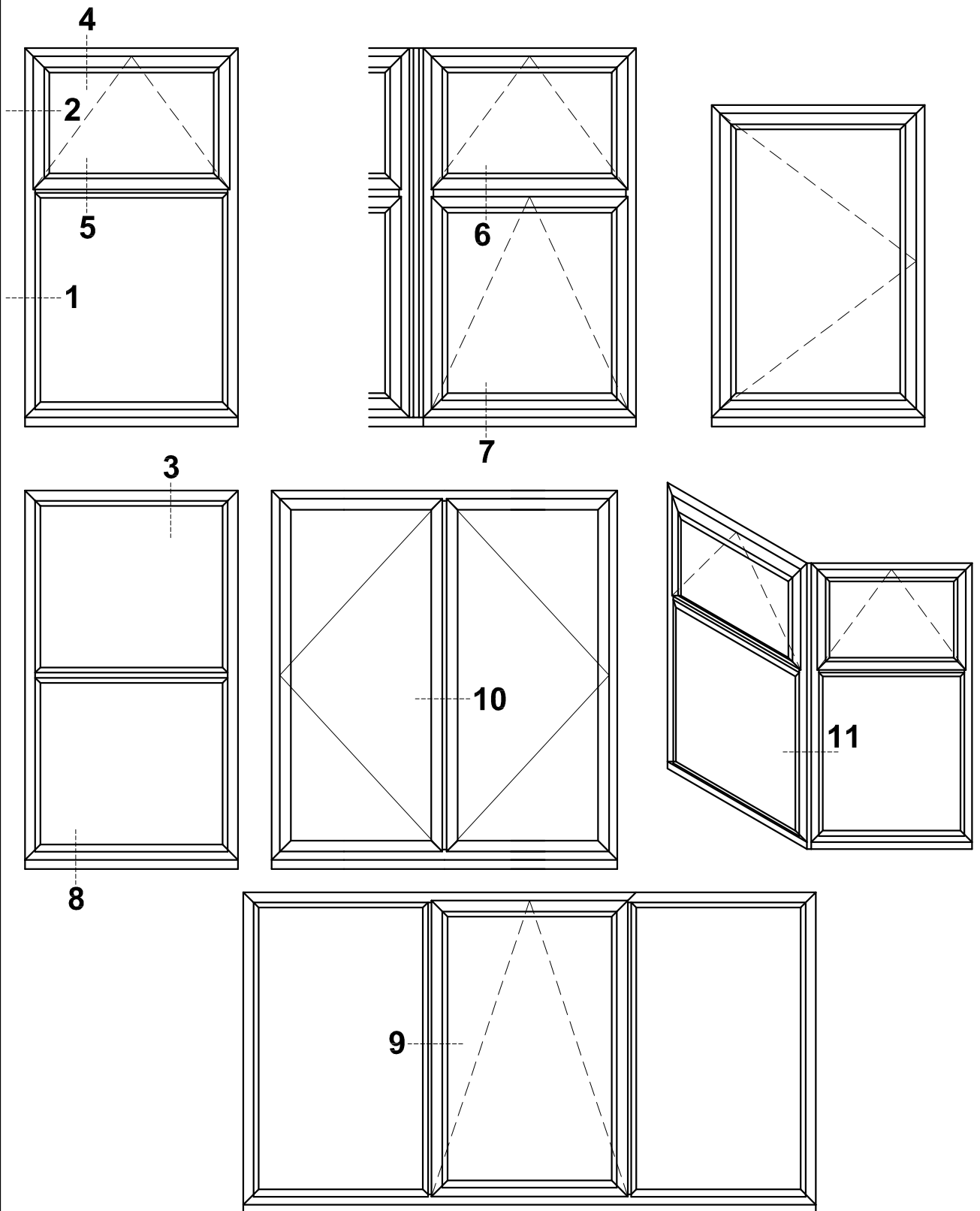
Section C

Sections

Scale Elevations

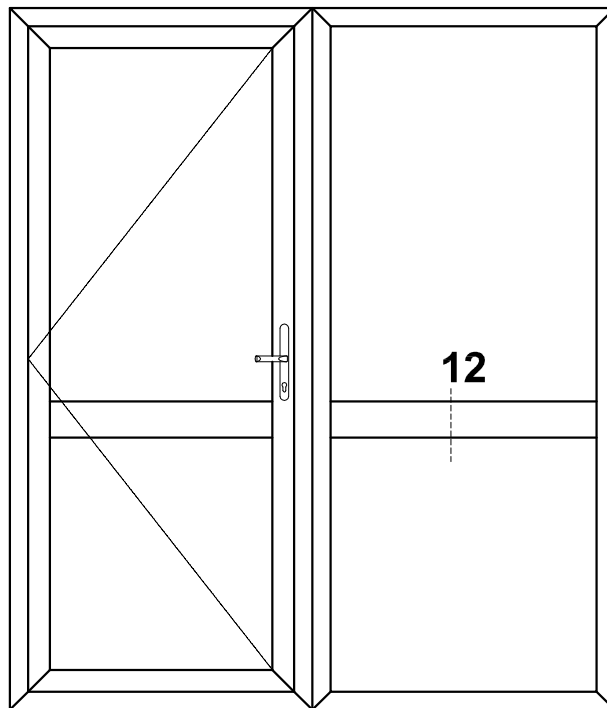


Scale Elevations



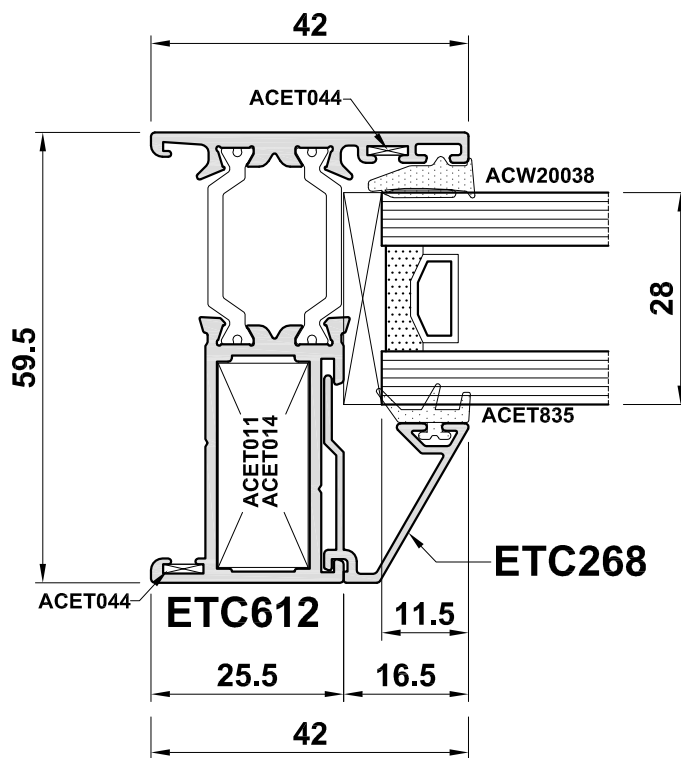
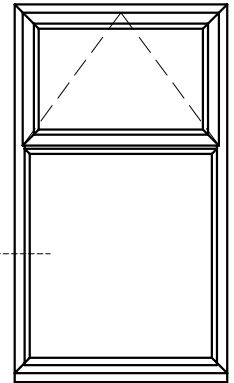
Do Not Scale From This Drawing

Scale Elevations



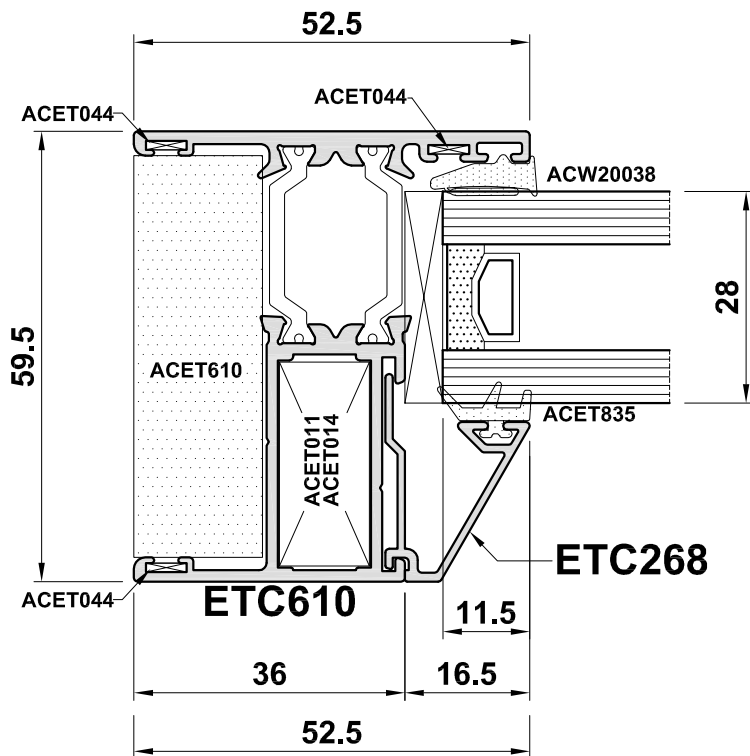
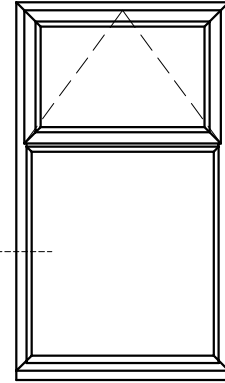
Do Not Scale From This Drawing

Detail 1A



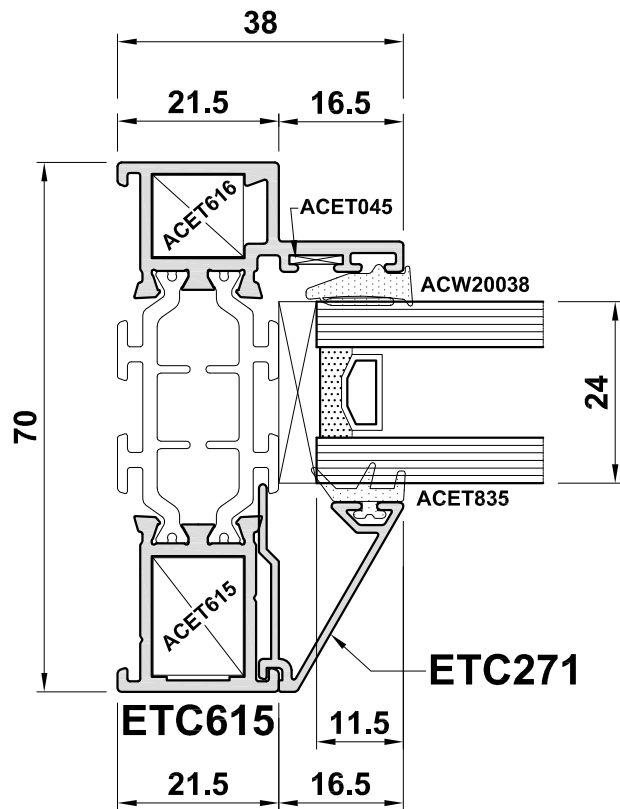
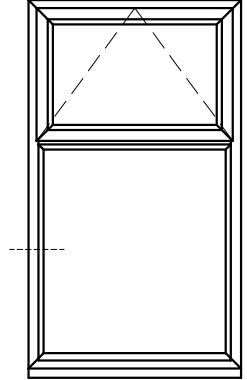
Do Not Scale From This Drawing

Detail 1B



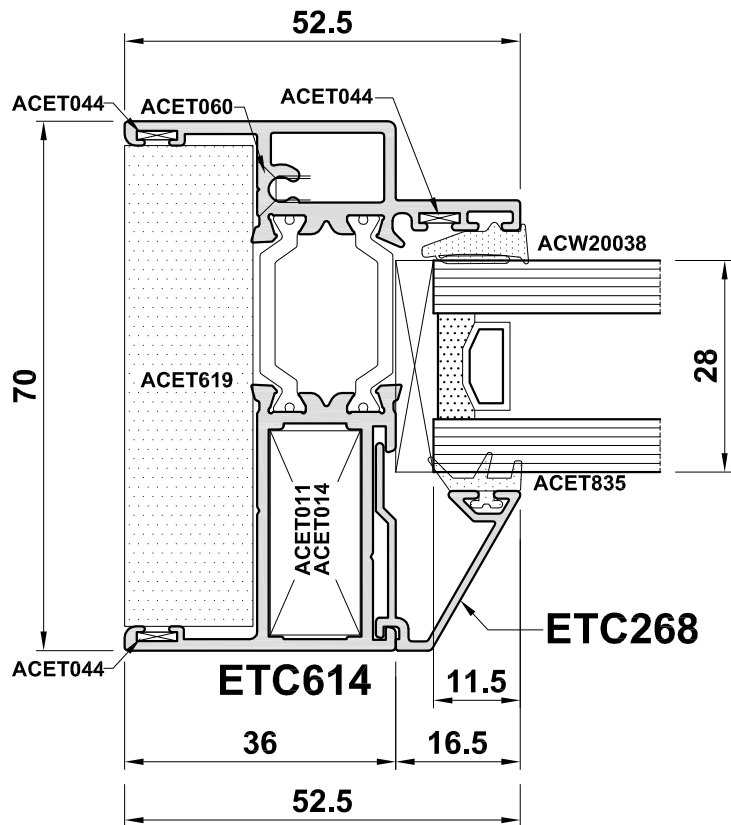
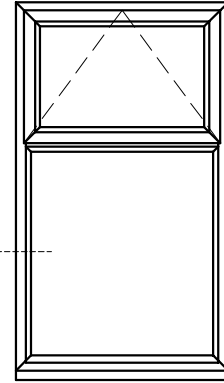
Do Not Scale From This Drawing

Detail 1C



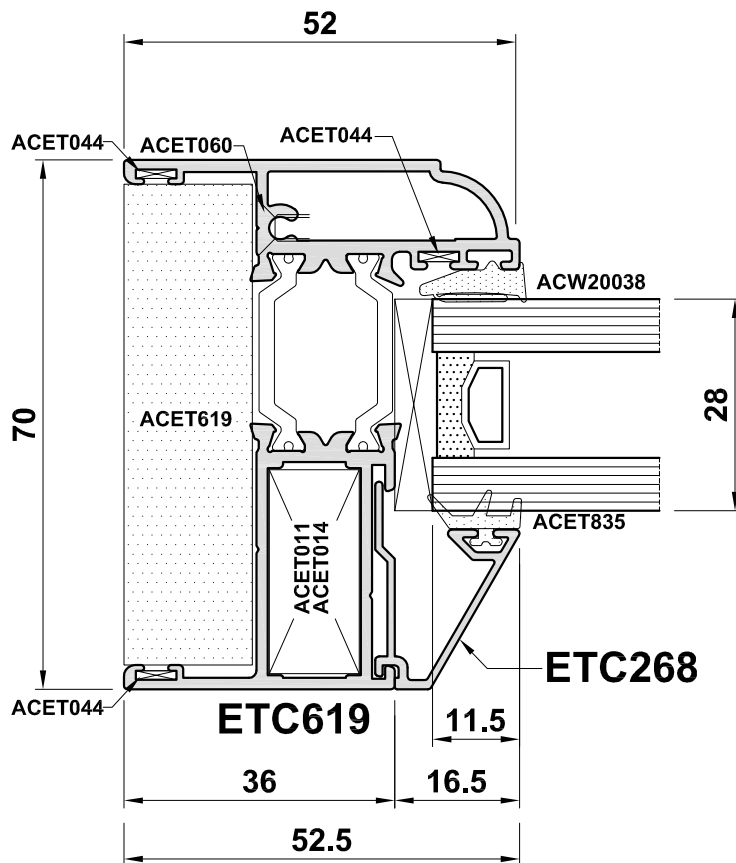
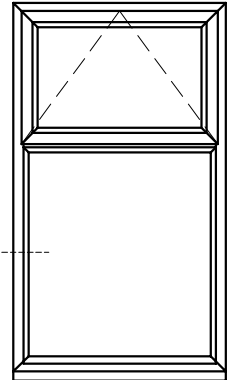
Do Not Scale From This Drawing

Detail 1D



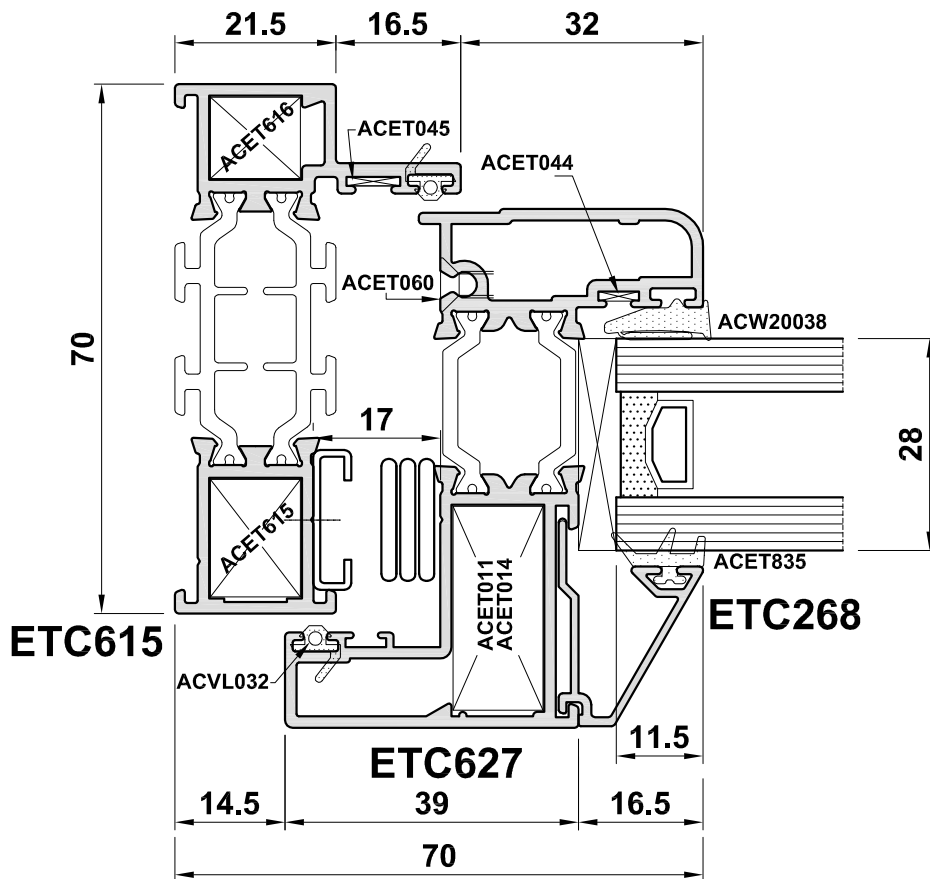
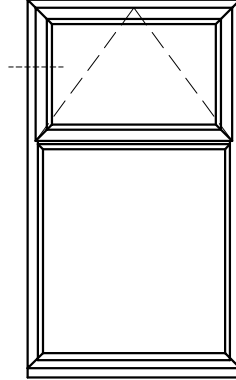
Do Not Scale From This Drawing

Detail 1E



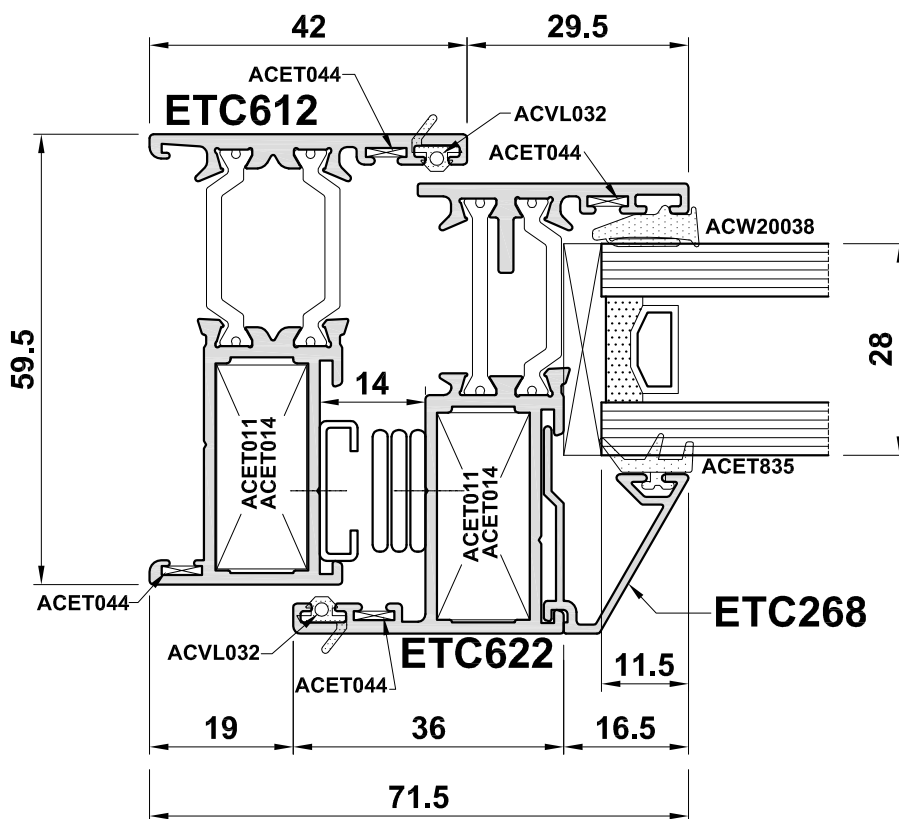
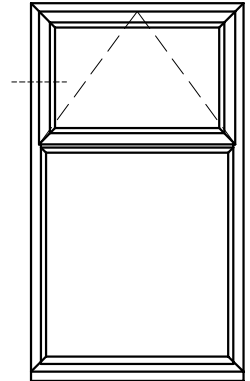
Do Not Scale From This Drawing

Detail 2A



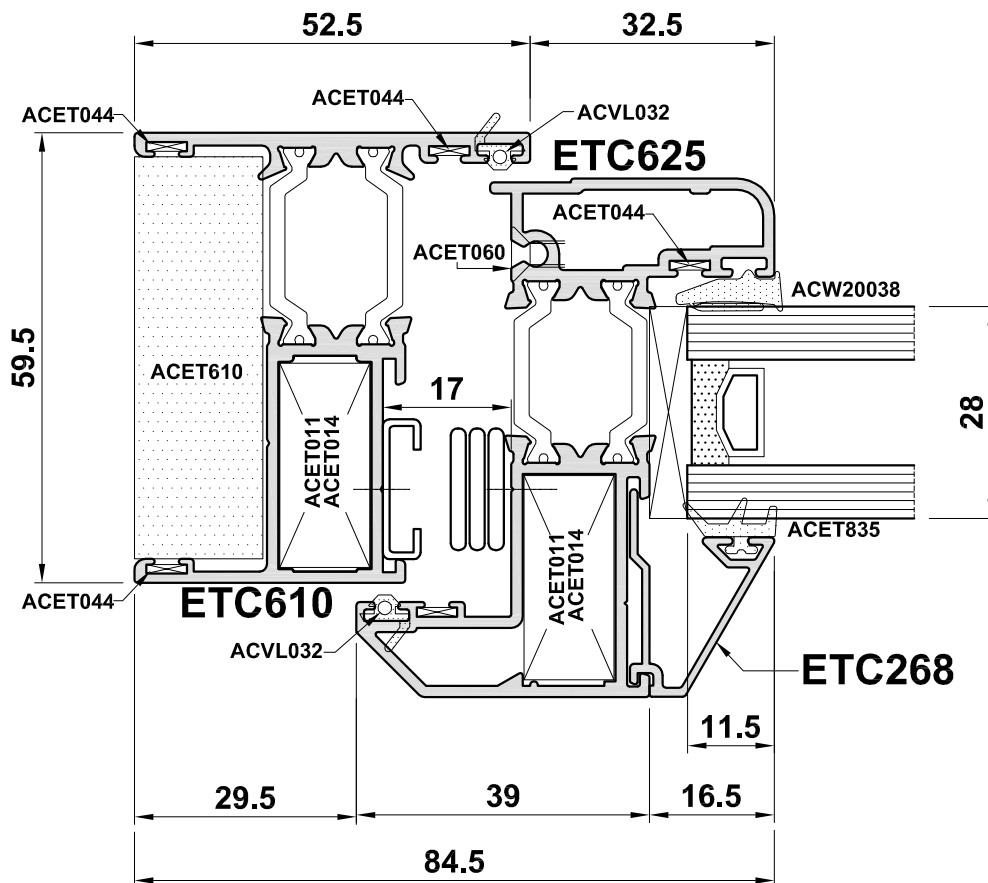
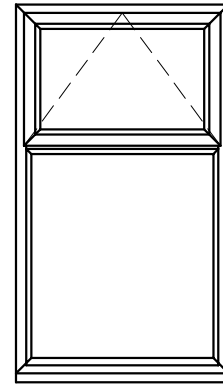
Do Not Scale From This Drawing

Detail 2B



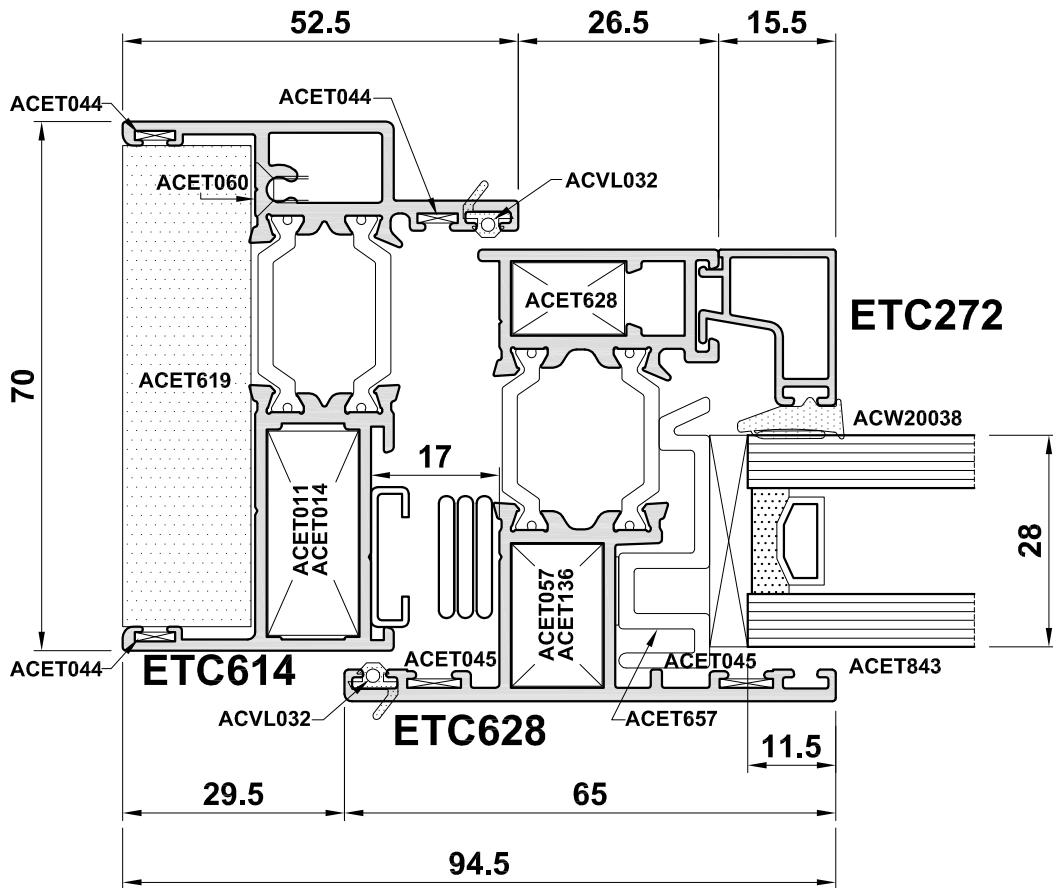
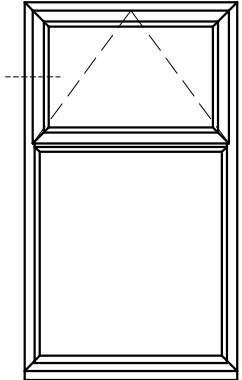
Do Not Scale From This Drawing

Detail 2C



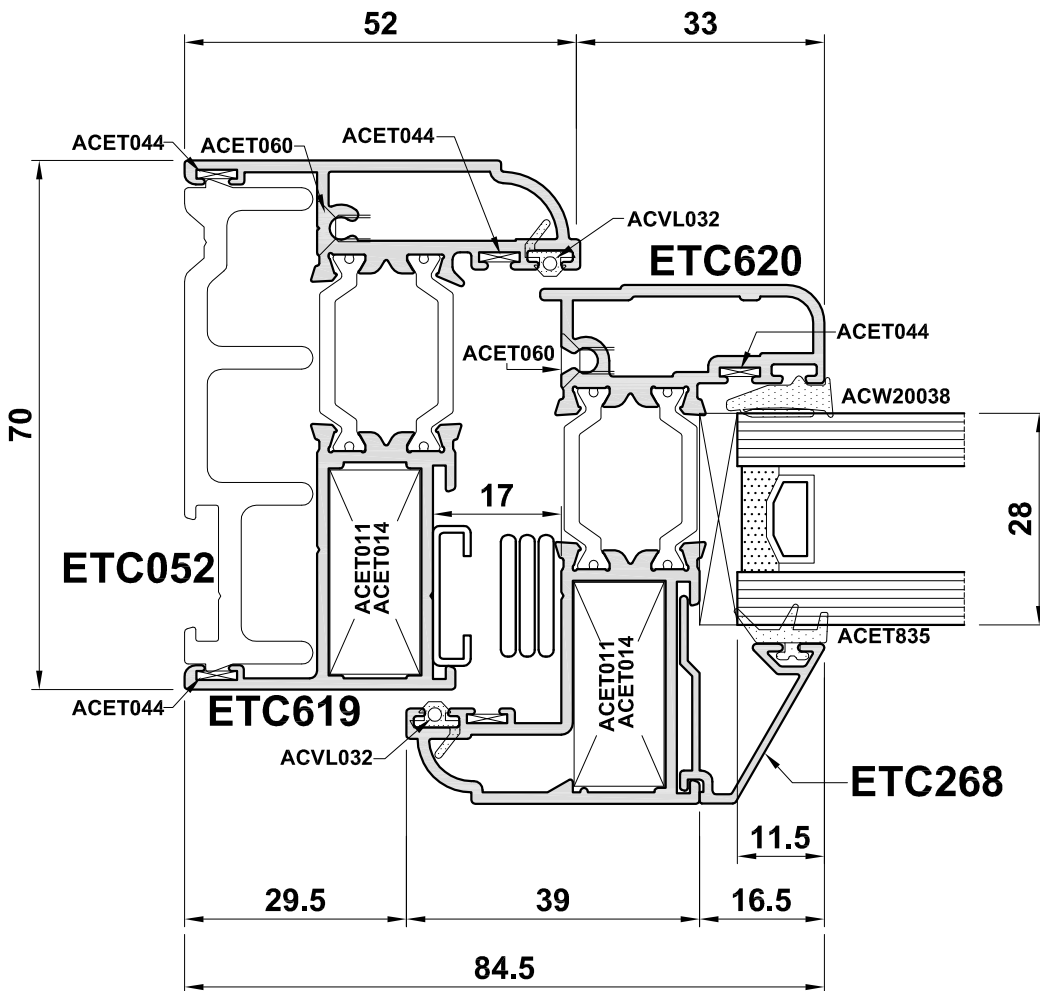
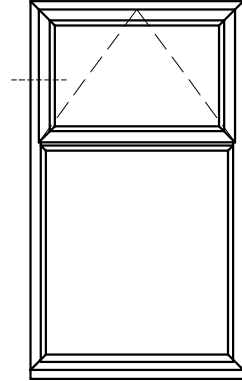
Do Not Scale From This Drawing

Detail 2D



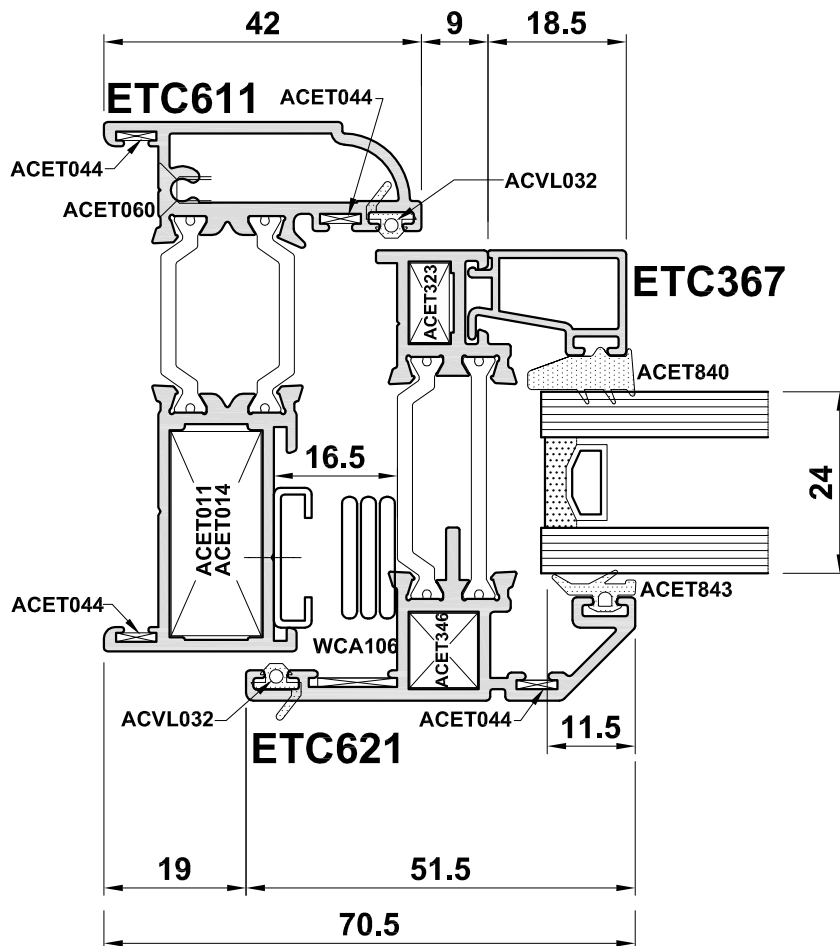
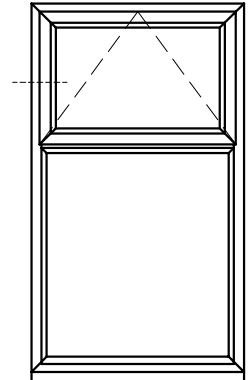
Do Not Scale From This Drawing

Detail 2E



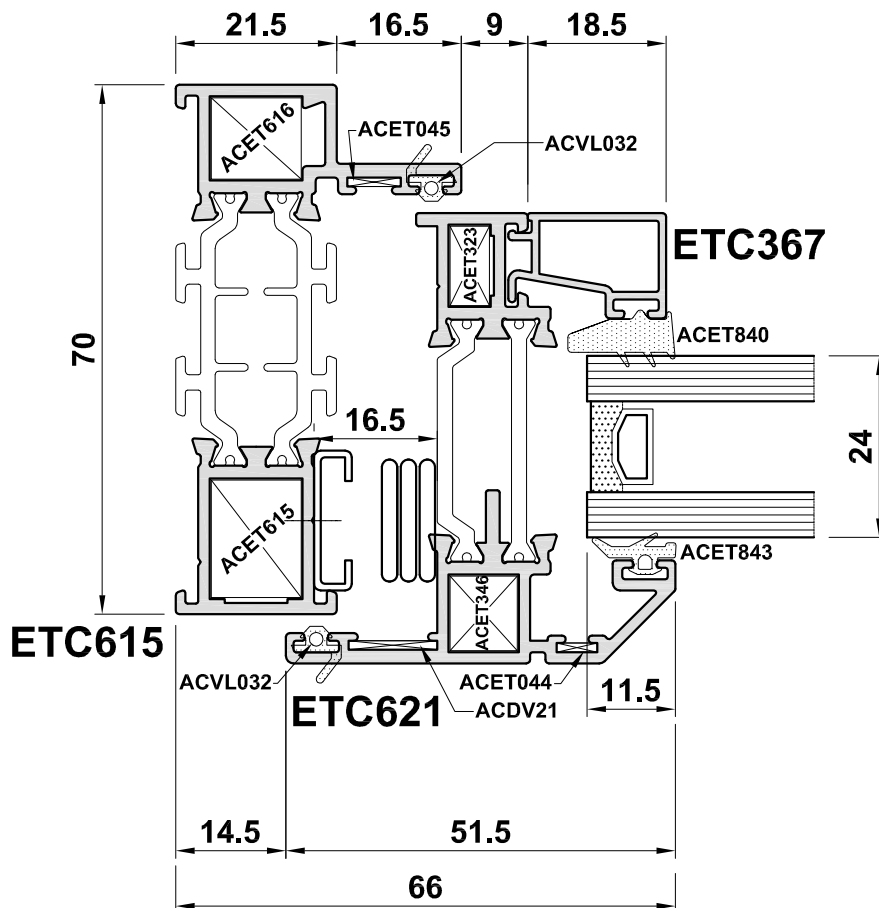
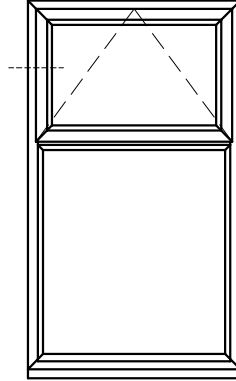
Do Not Scale From This Drawing

Detail 2F



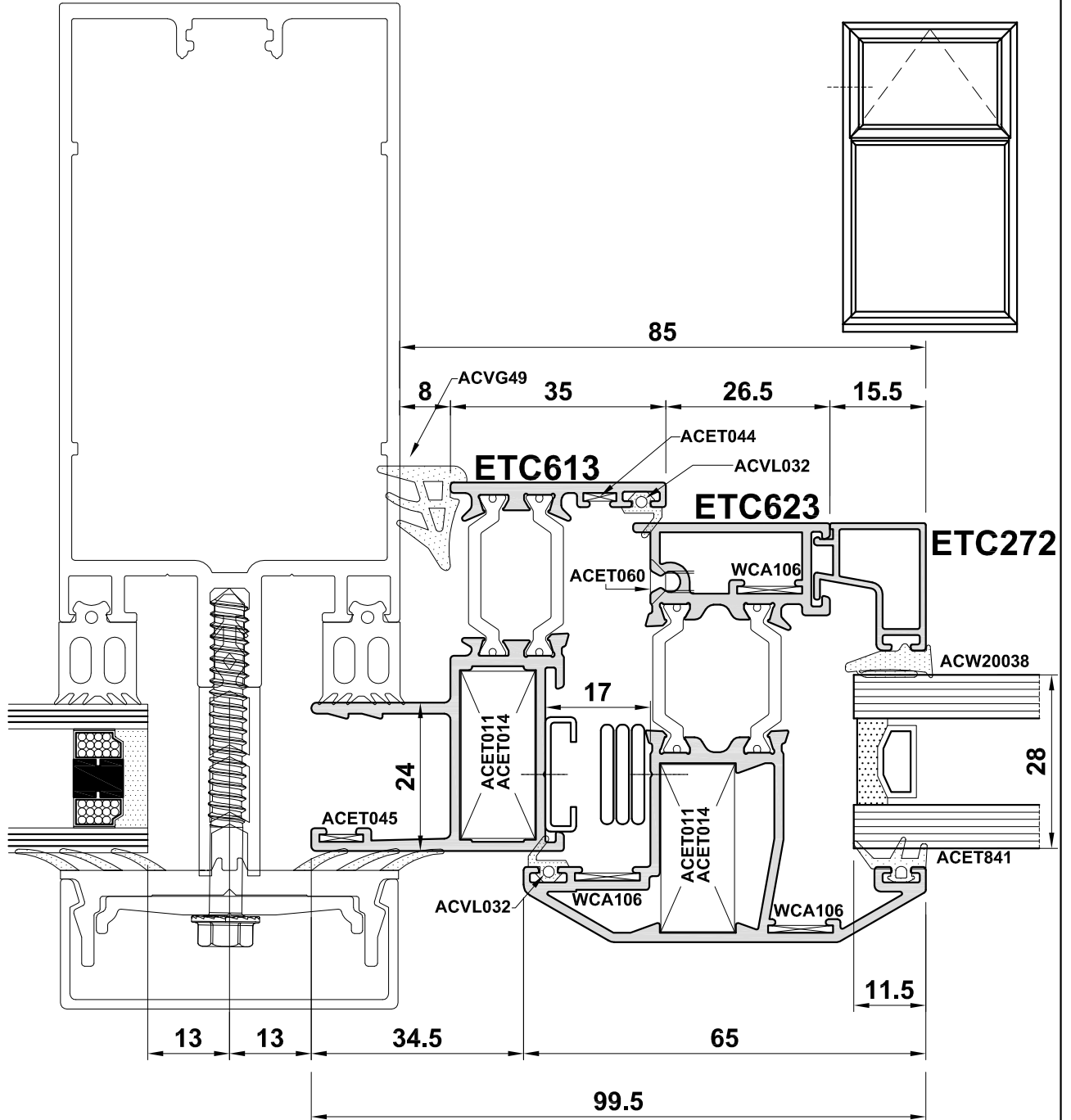
Do Not Scale From This Drawing

Detail 2G



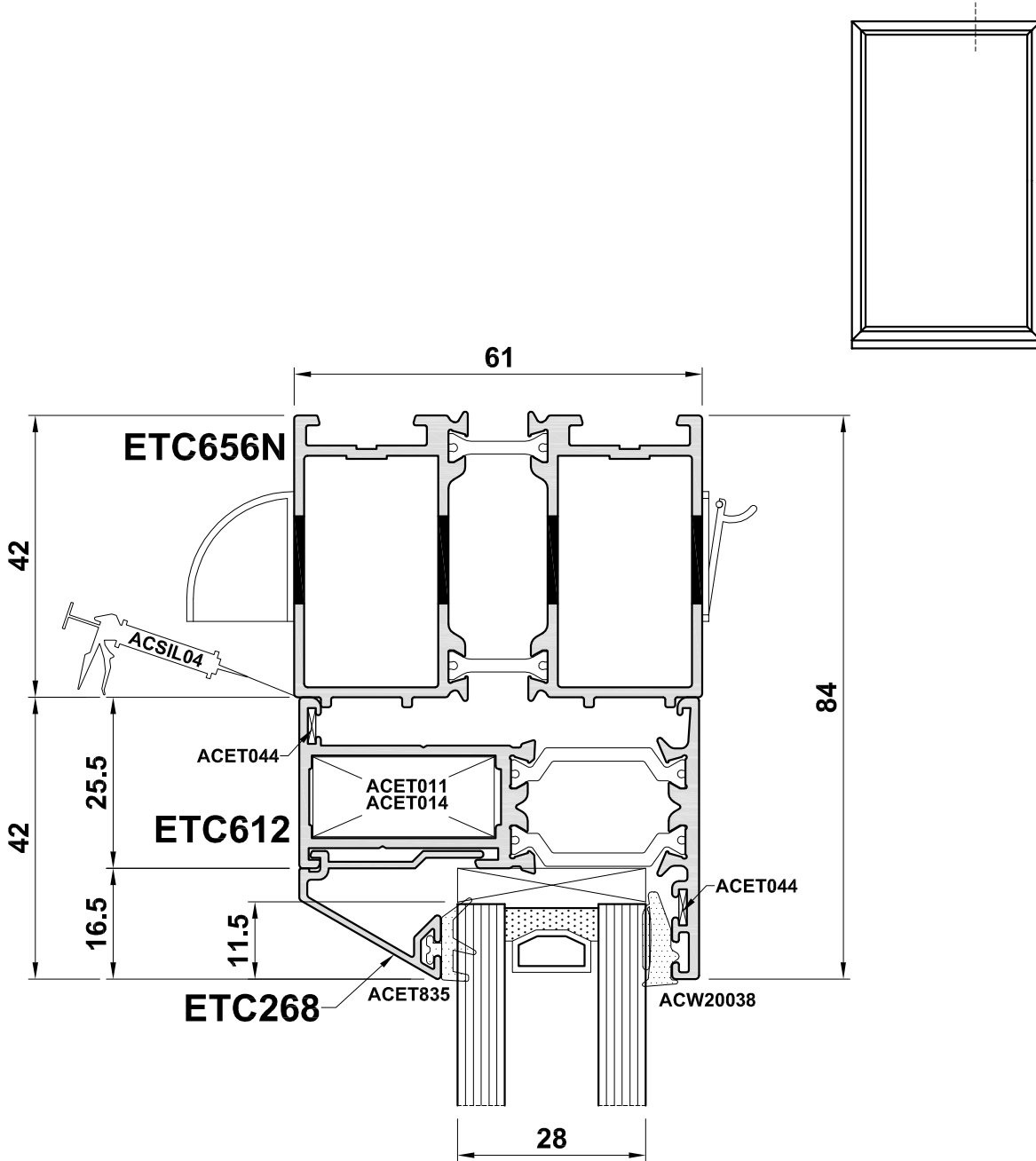
Do Not Scale From This Drawing

Detail 2H



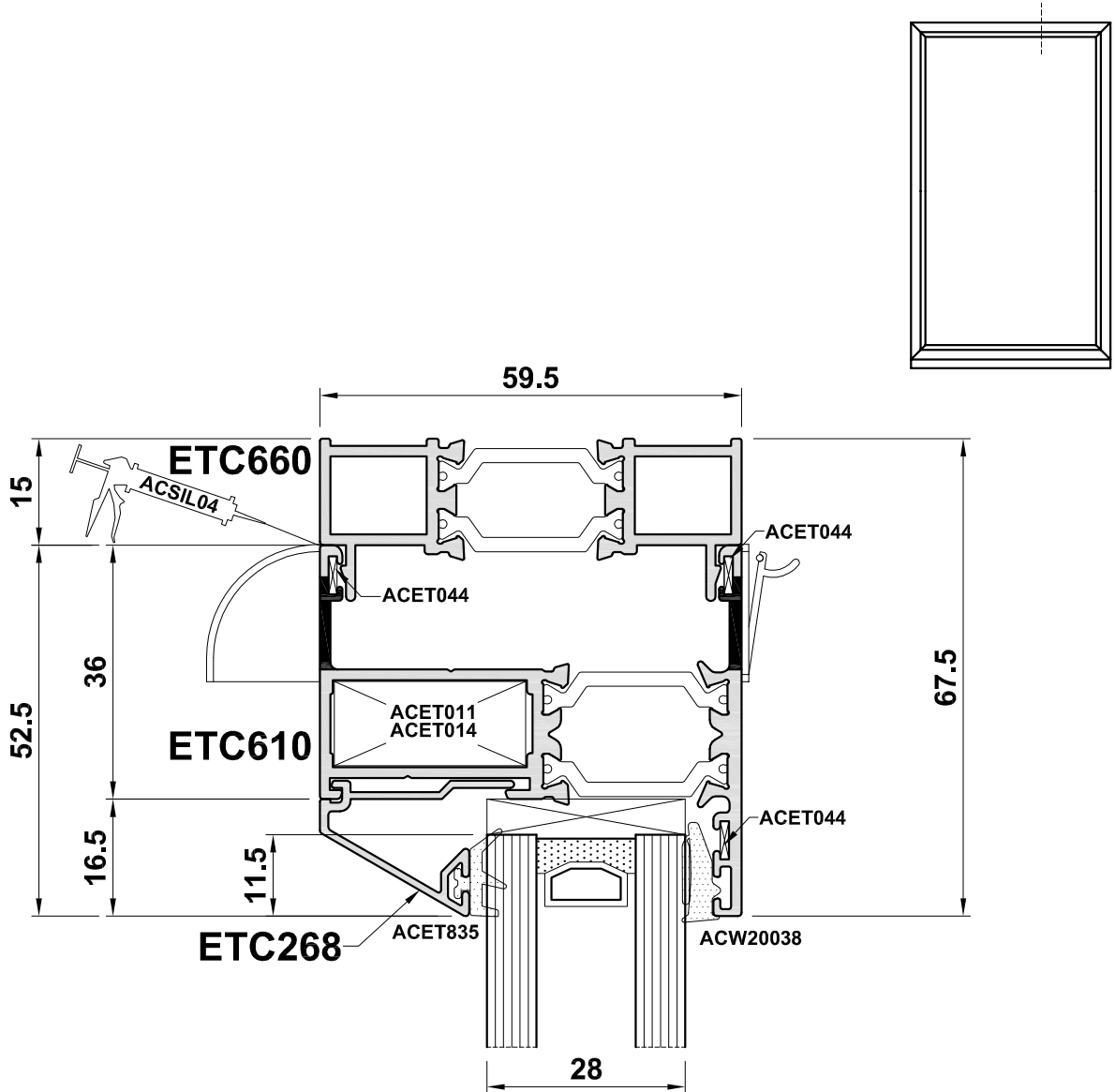
Do Not Scale From This Drawing

Detail 3A



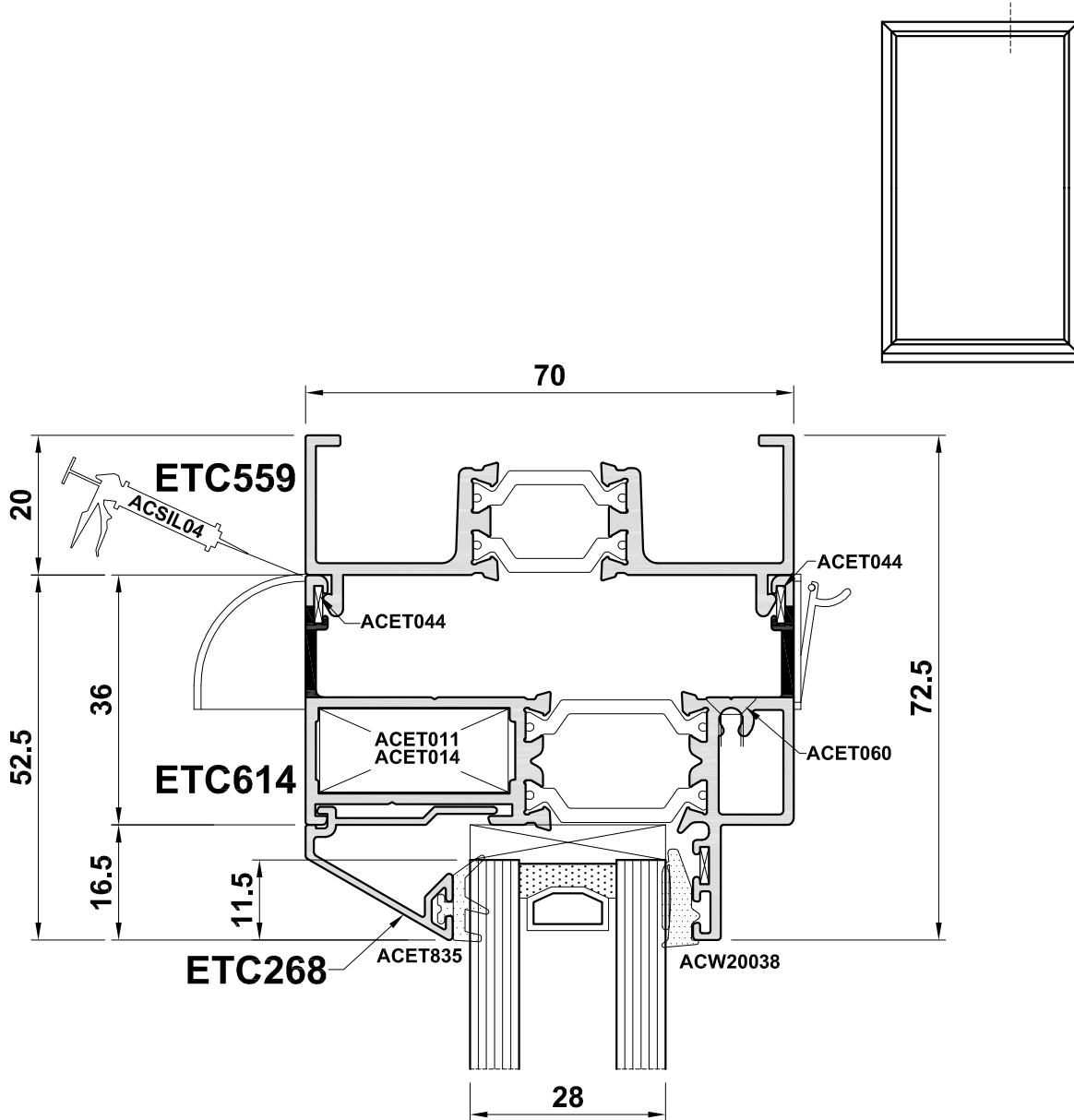
Do Not Scale From This Drawing

Detail 3B



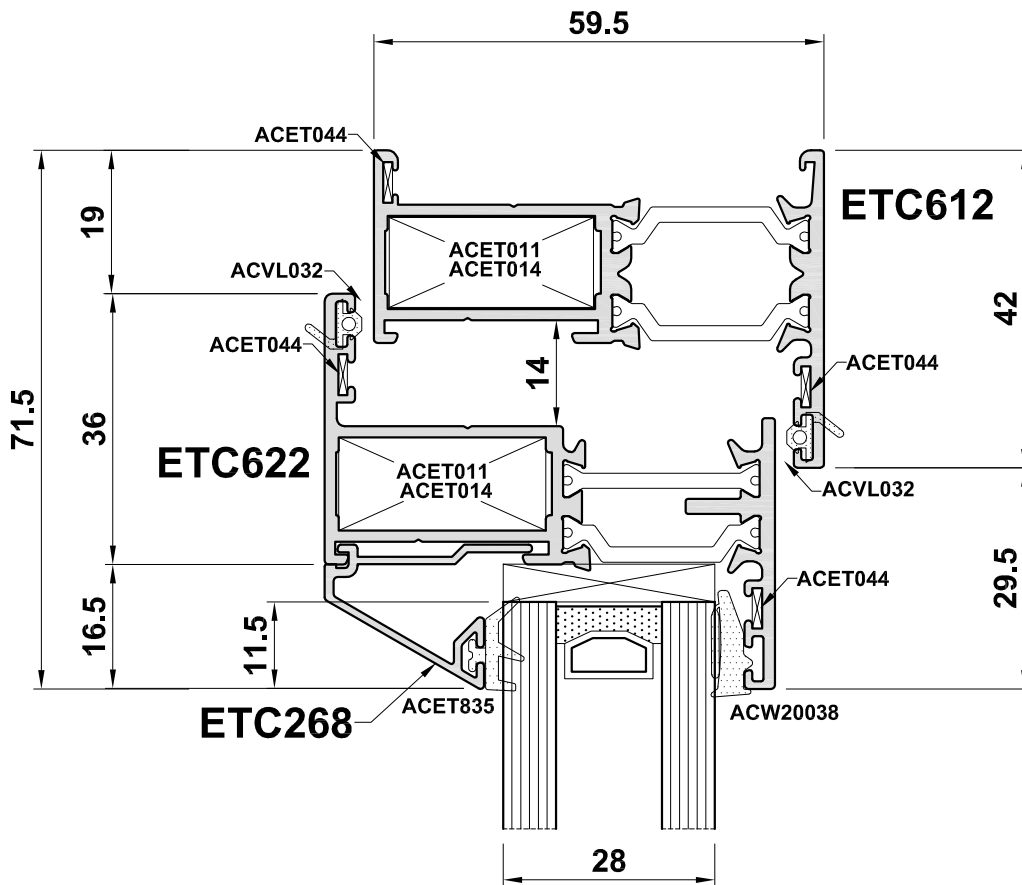
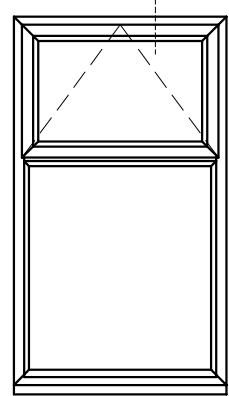
Do Not Scale From This Drawing

Detail 3C



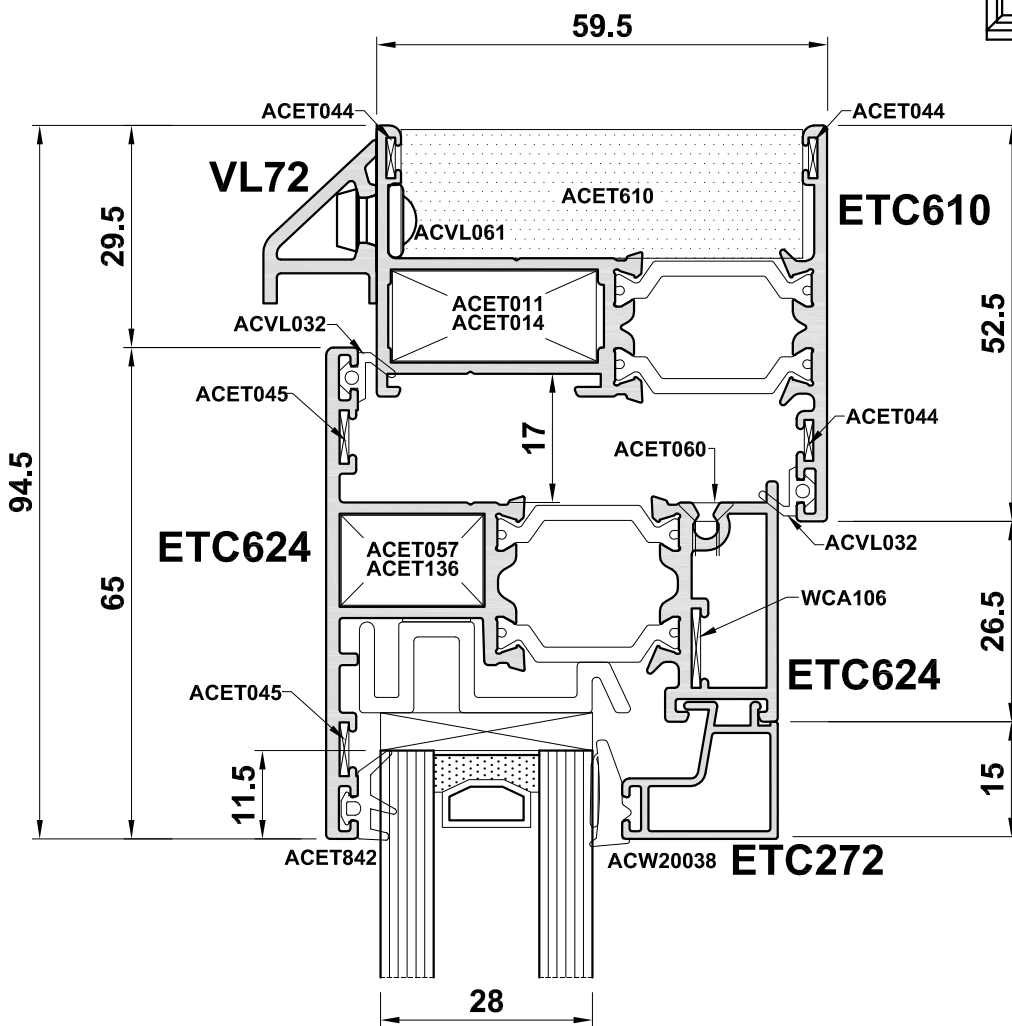
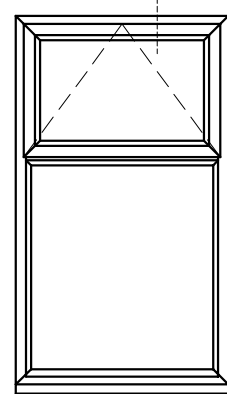
Do Not Scale From This Drawing

Detail 4A



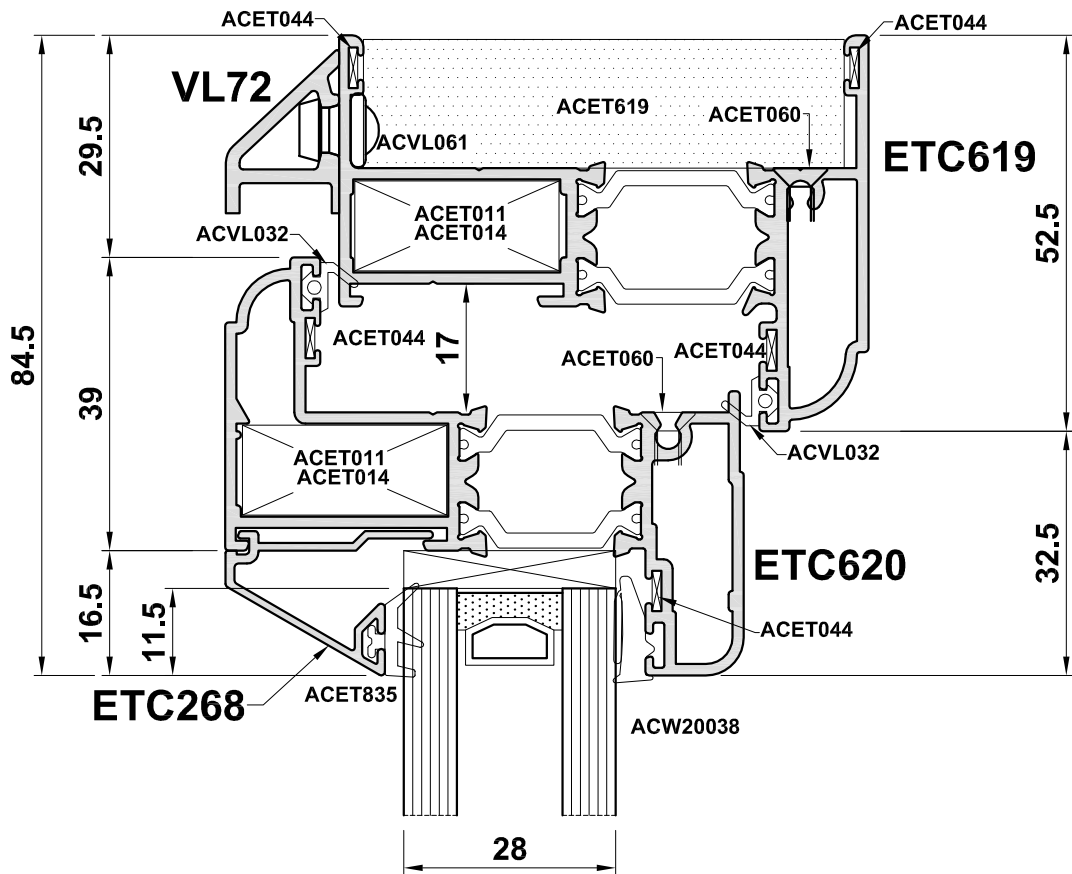
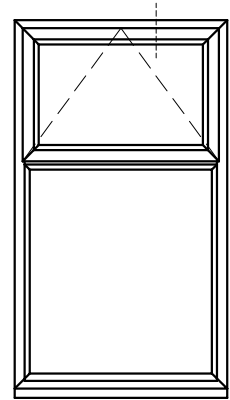
Do Not Scale From This Drawing

Detail 4B



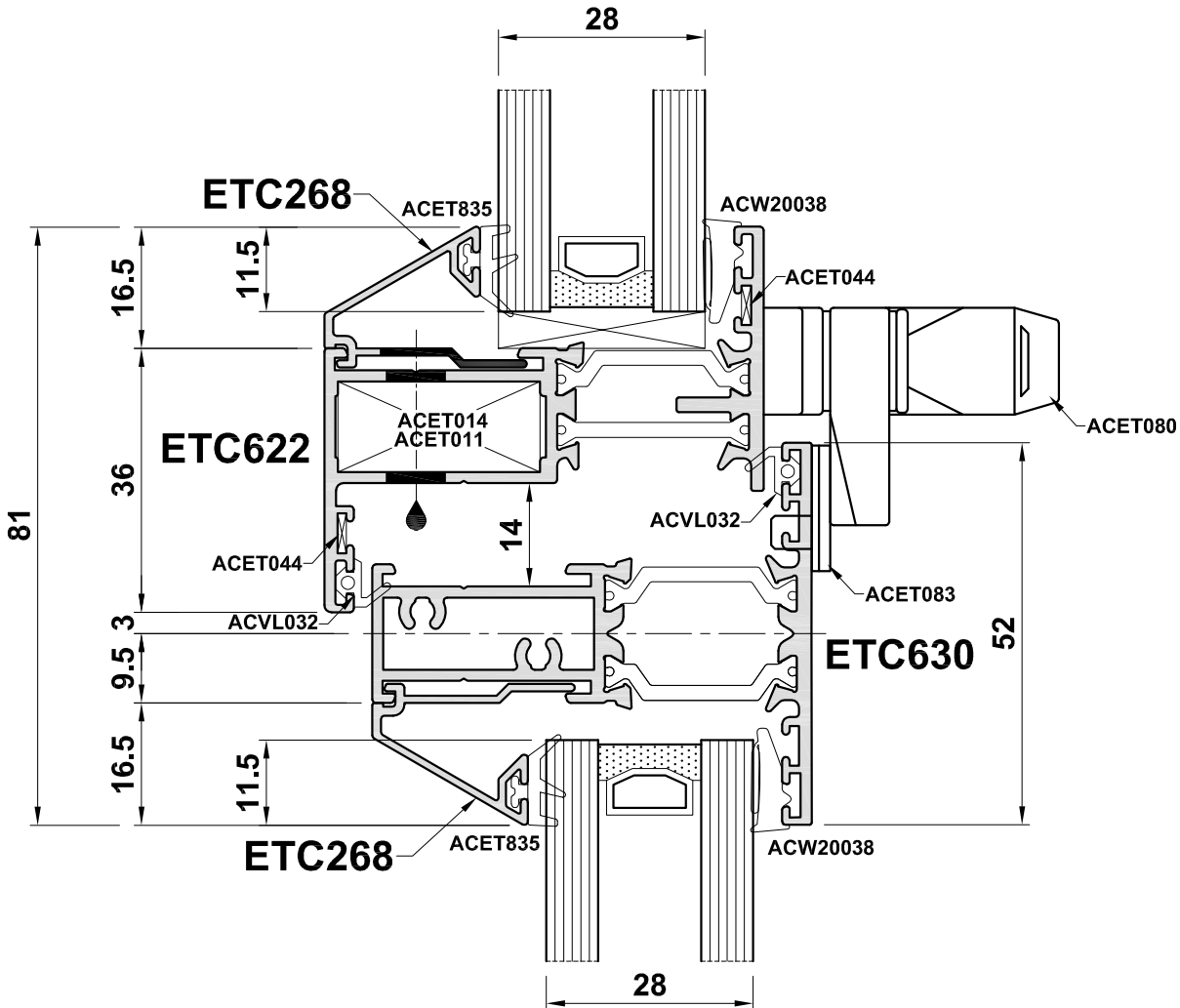
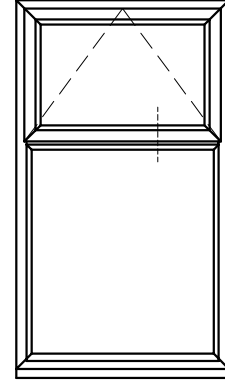
Do Not Scale From This Drawing

Detail 4C



Do Not Scale From This Drawing

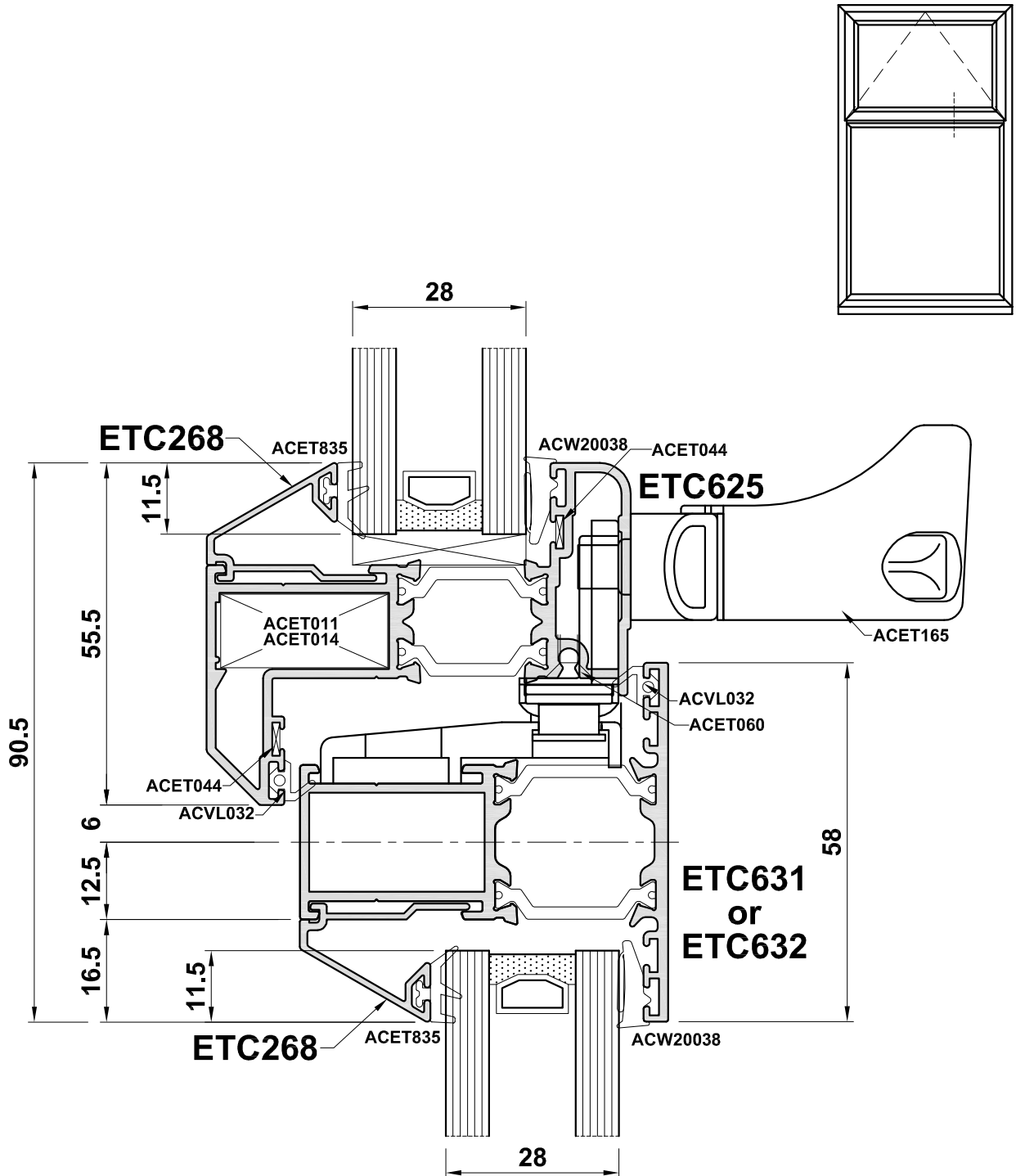
Detail 5A



Note: Transoms will drain through the joint to the outerframe.

Do Not Scale From This Drawing

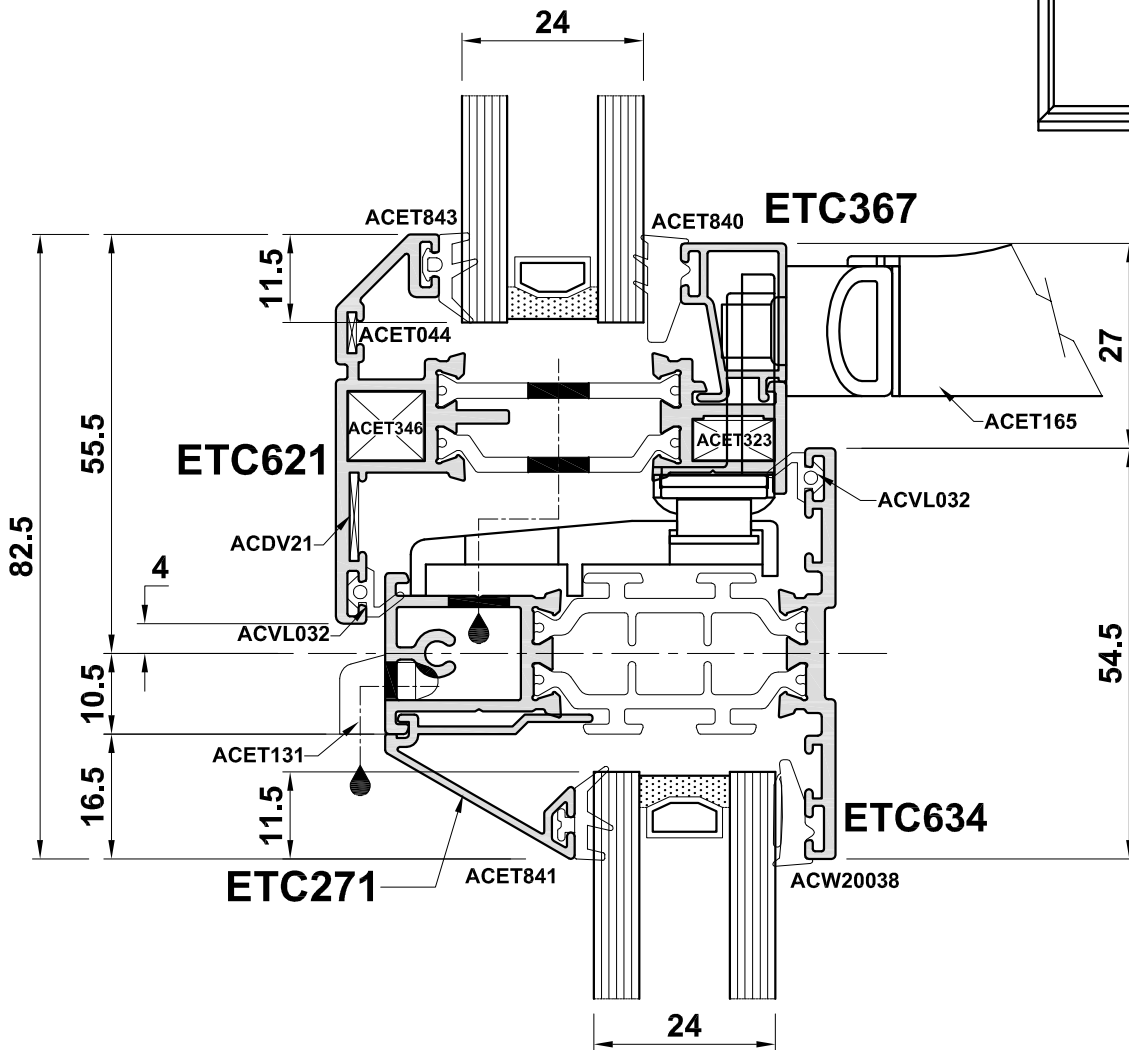
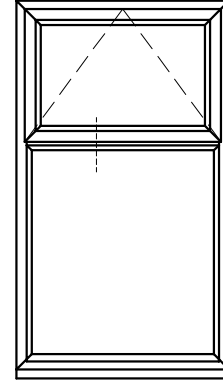
Detail 5B



Note: Transoms will drain through the join to the outerframe.

Do Not Scale From This Drawing

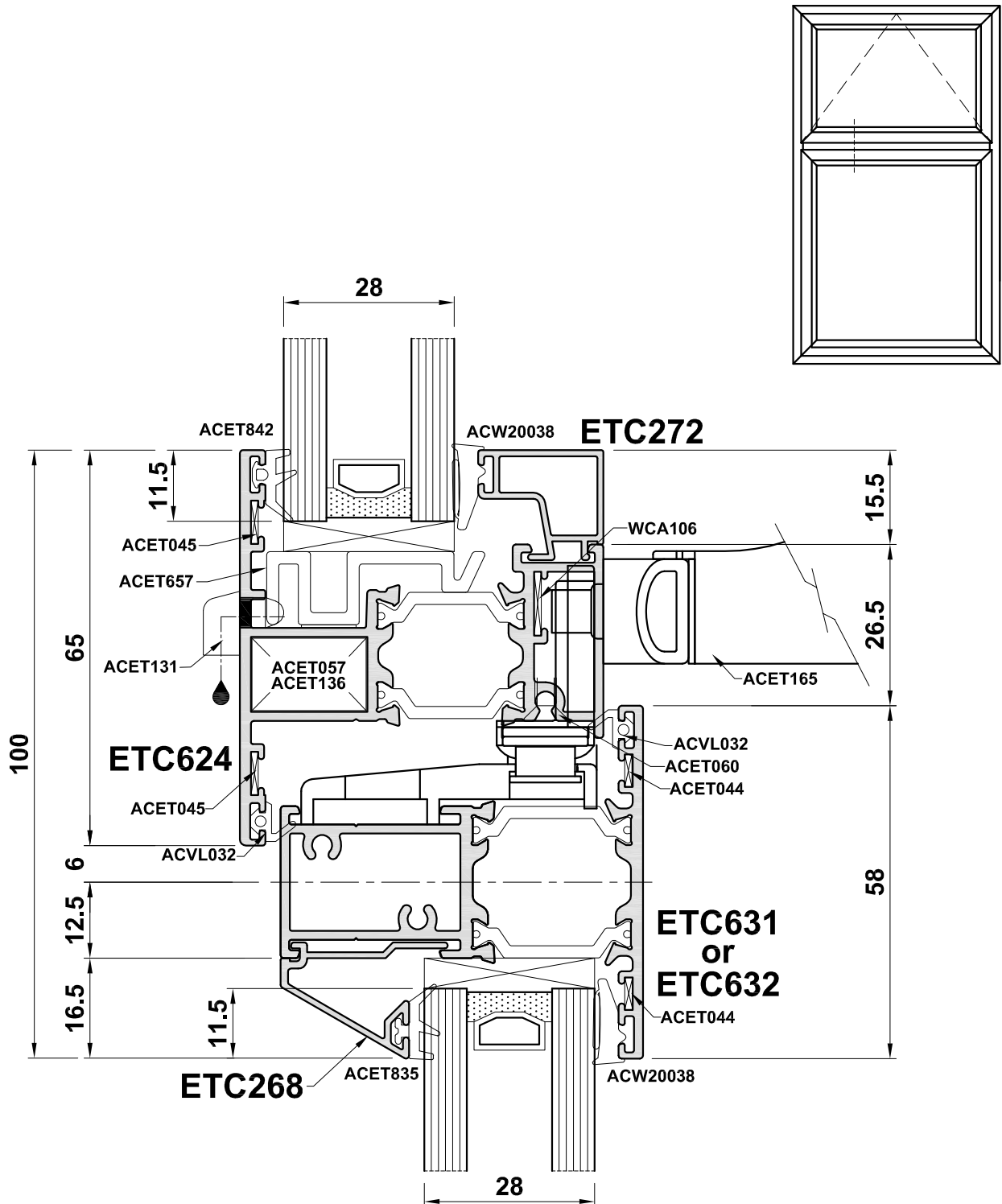
Detail 5C



Note: Transoms will drain through the joint to the outerframe.

Do Not Scale From This Drawing

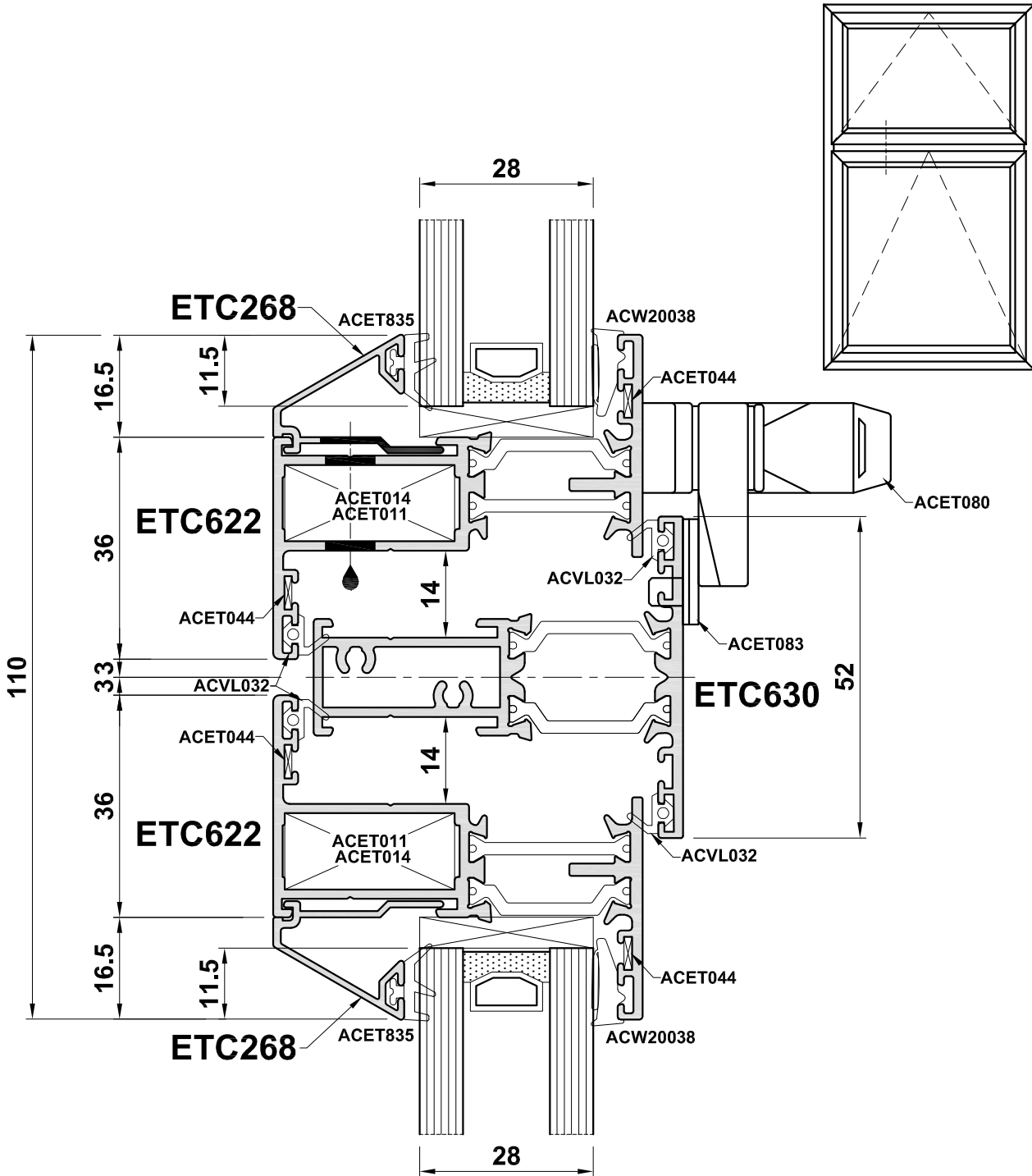
Detail 5D



Note: Transoms will drain through the joint to the outerframe.

Do Not Scale From This Drawing

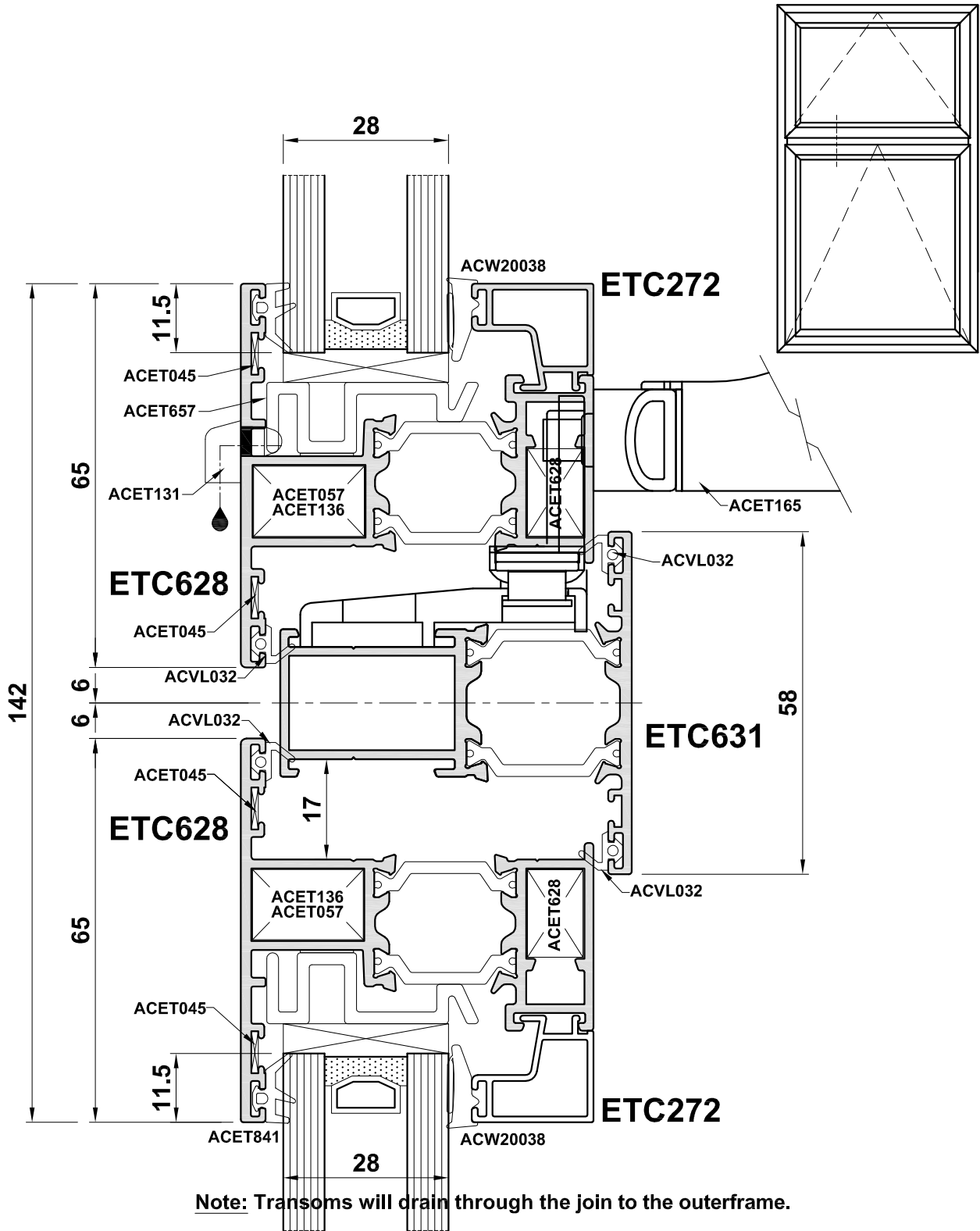
Detail 6A



Note: Transoms will drain through the joint to the outerframe.

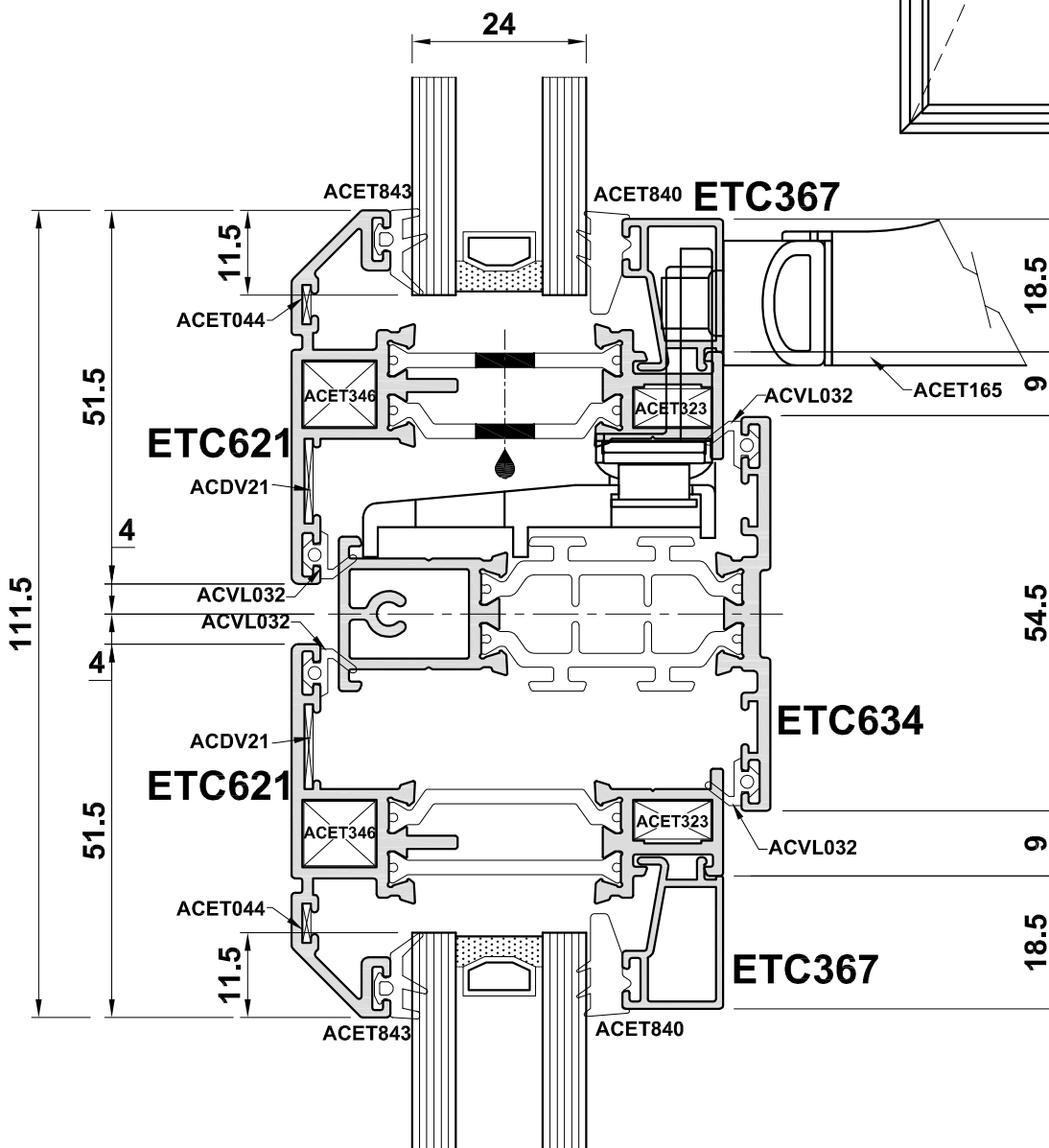
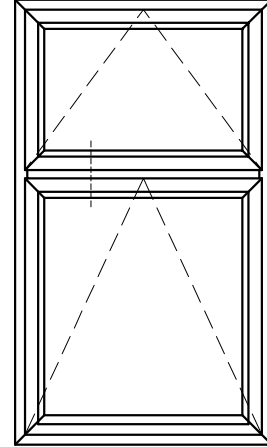
Do Not Scale From This Drawing

Detail 6B



Do Not Scale From This Drawing

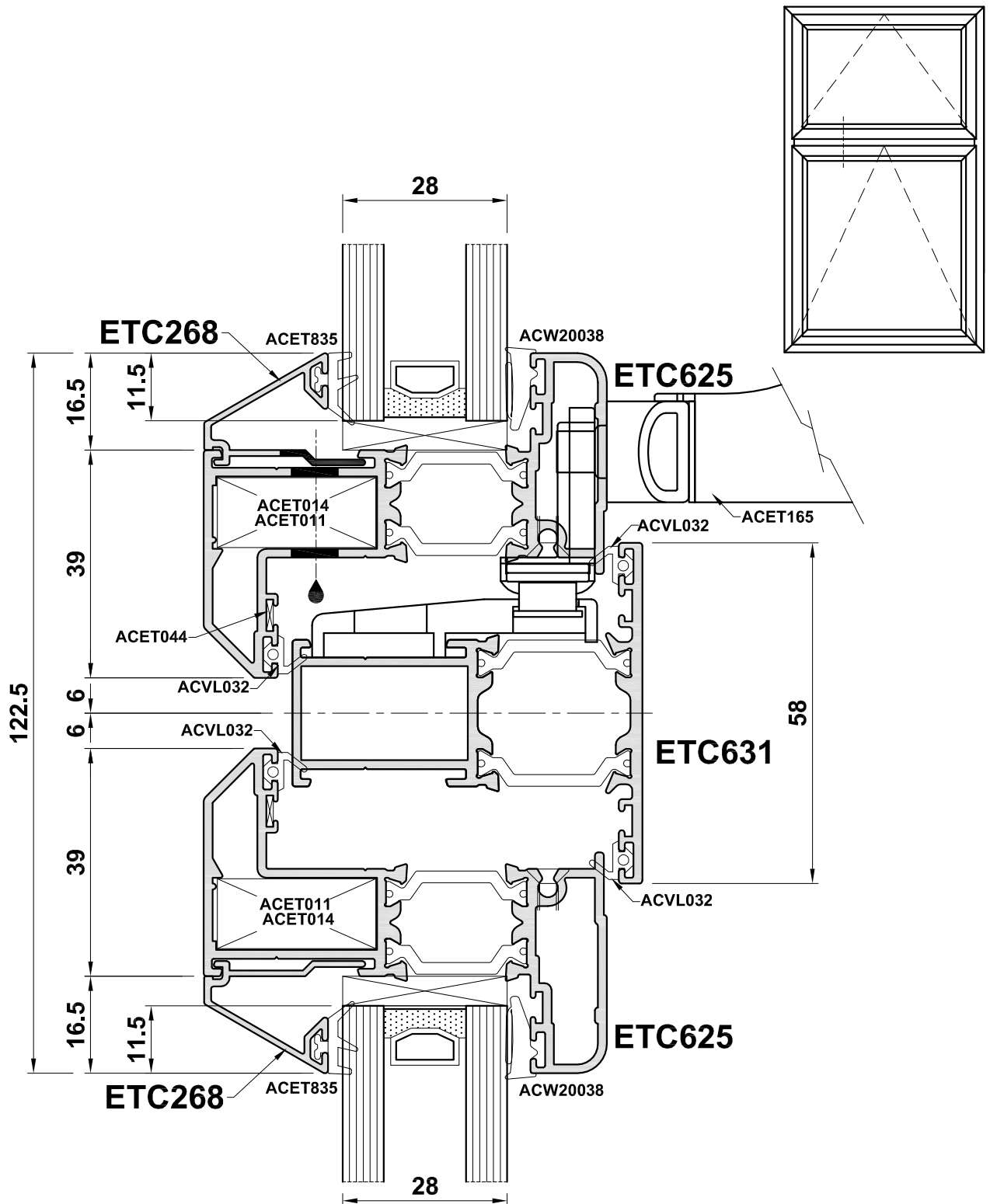
Detail 6C



Note: Transoms will drain through the joint to the outerframe.

Do Not Scale From This Drawing

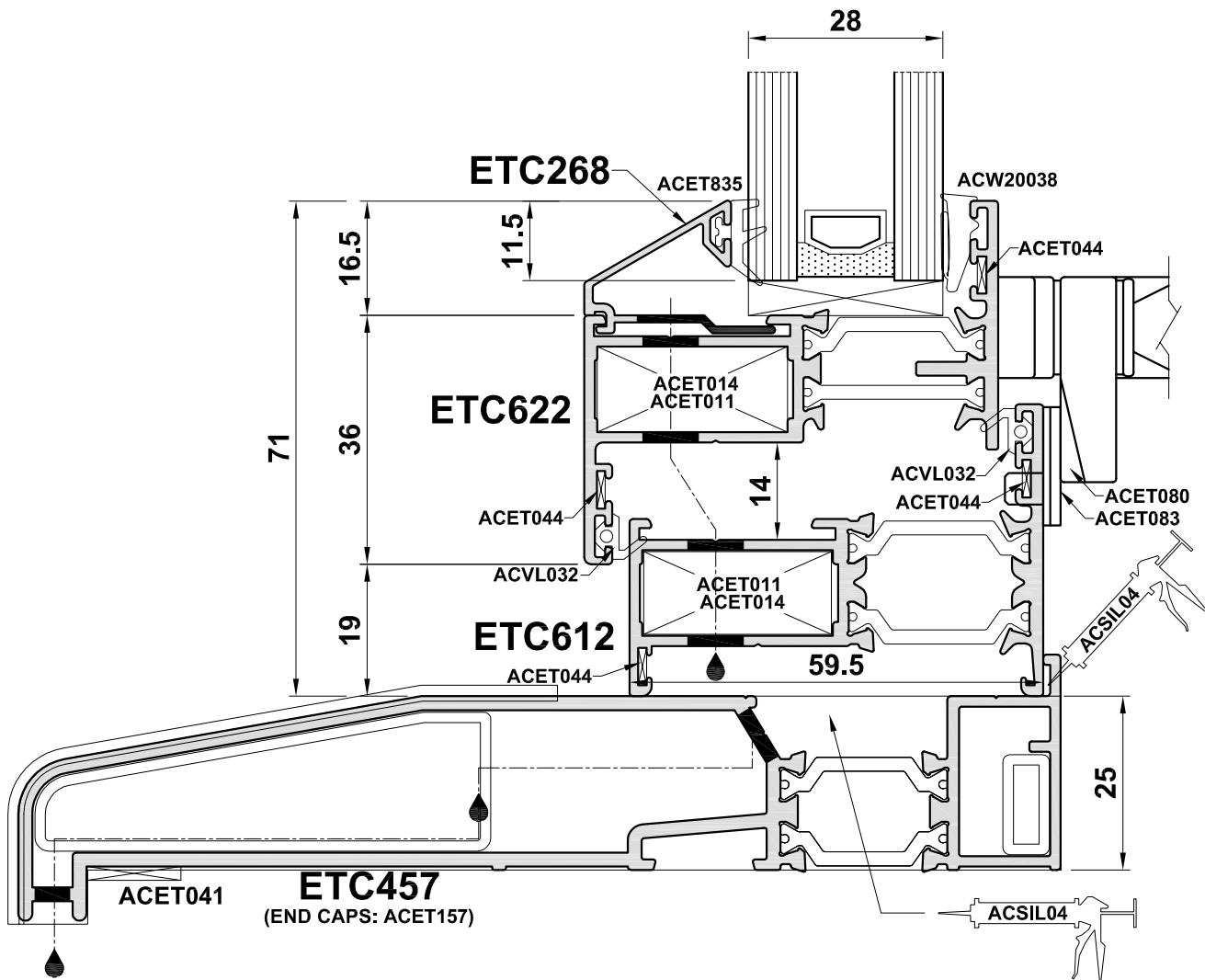
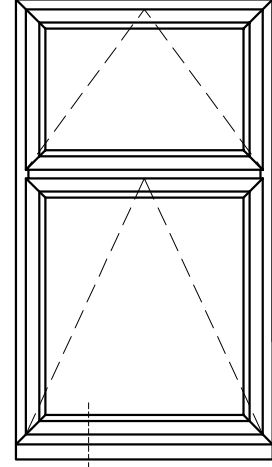
Detail 6E



Note: Transoms will drain through the join to the outerframe.

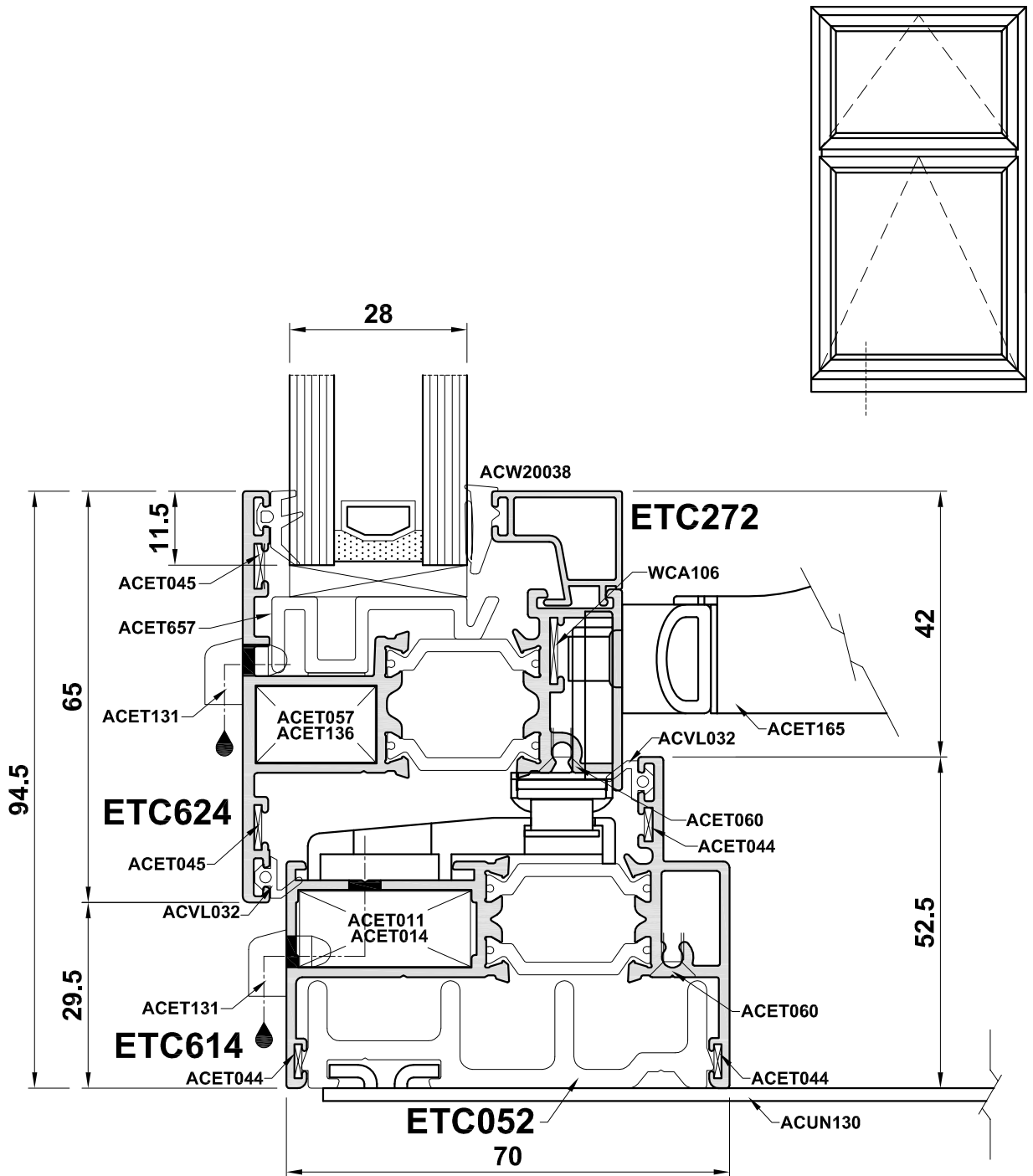
Do Not Scale From This Drawing

Detail 7A



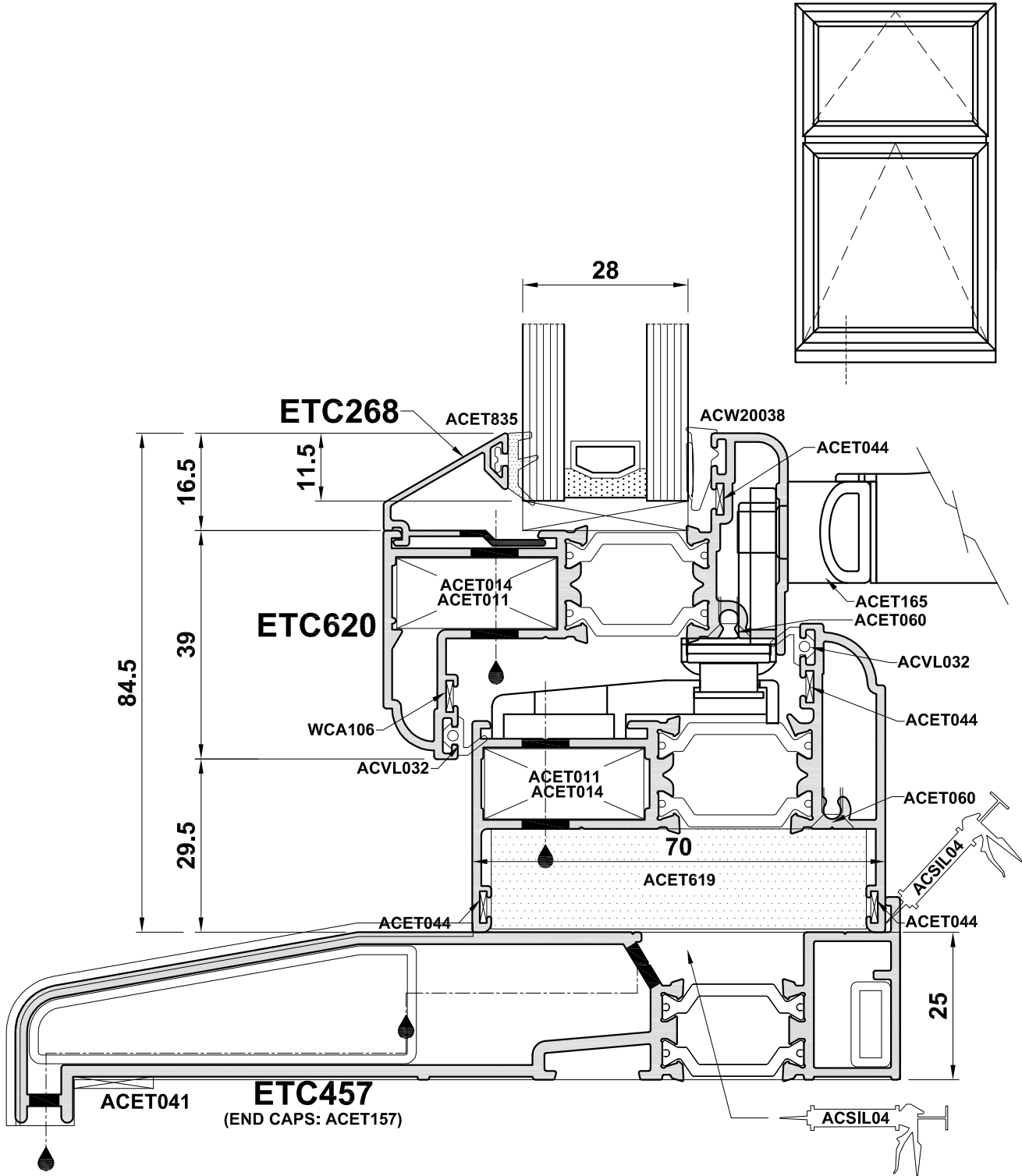
Do Not Scale From This Drawing

Detail 7B



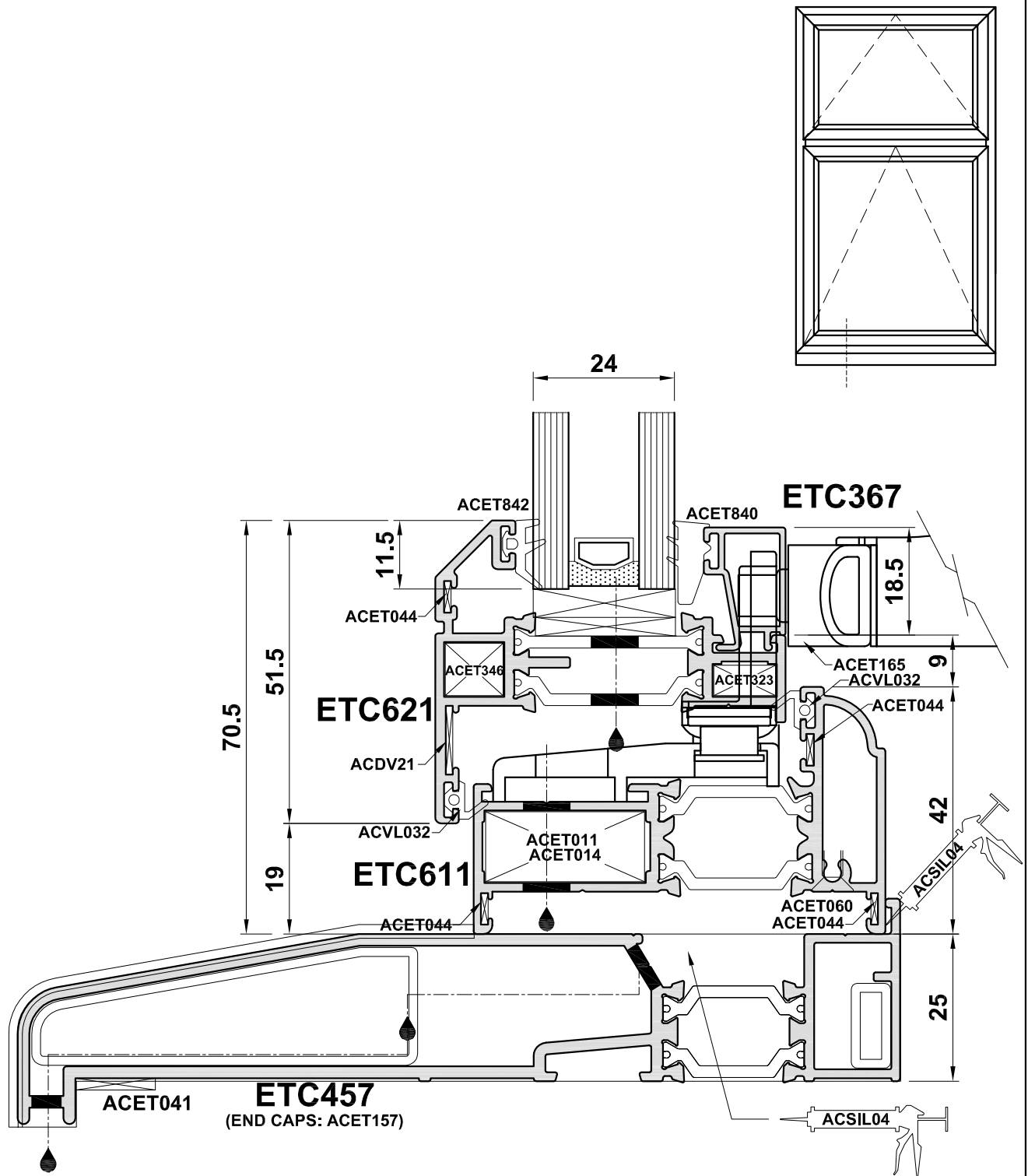
Do Not Scale From This Drawing

Detail 7C



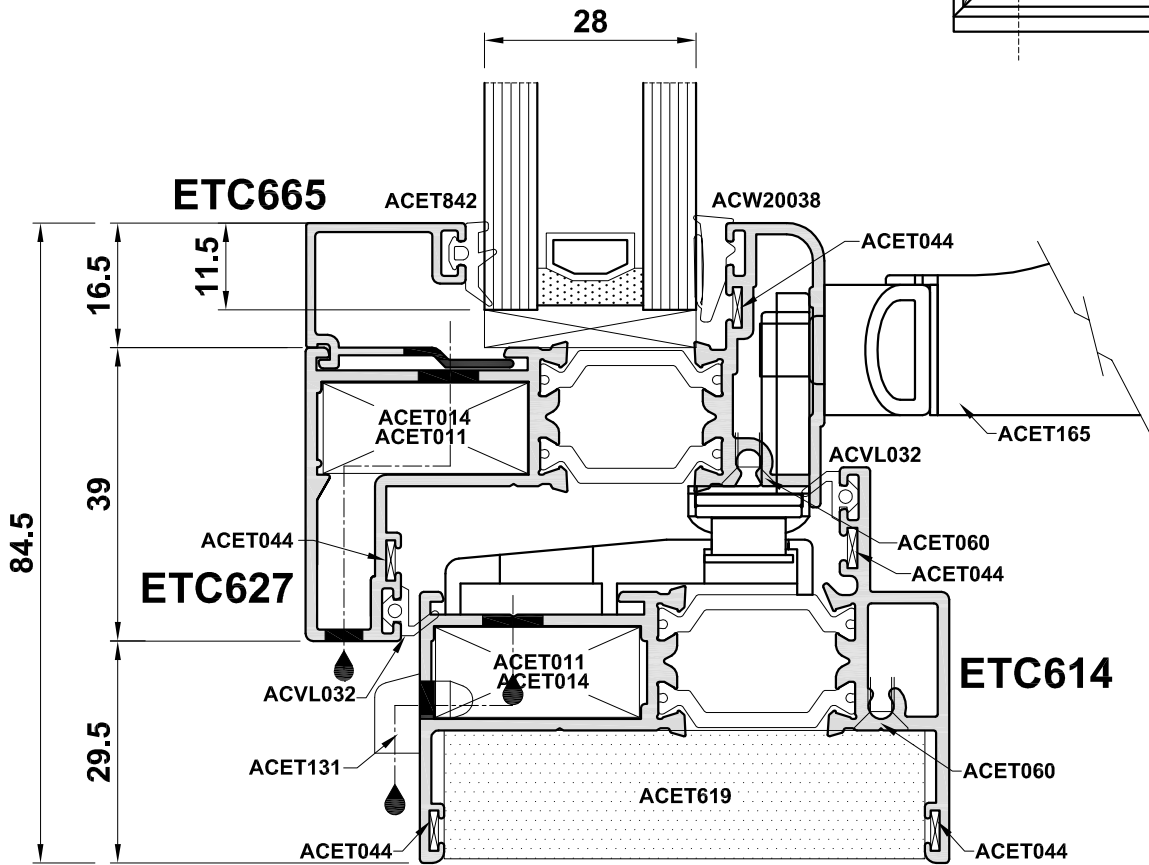
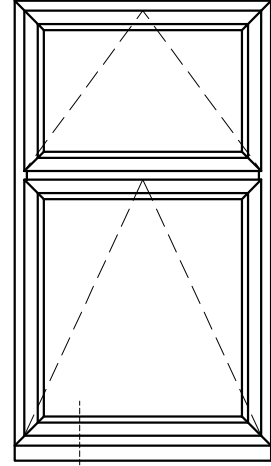
Do Not Scale From This Drawing

Detail 7D



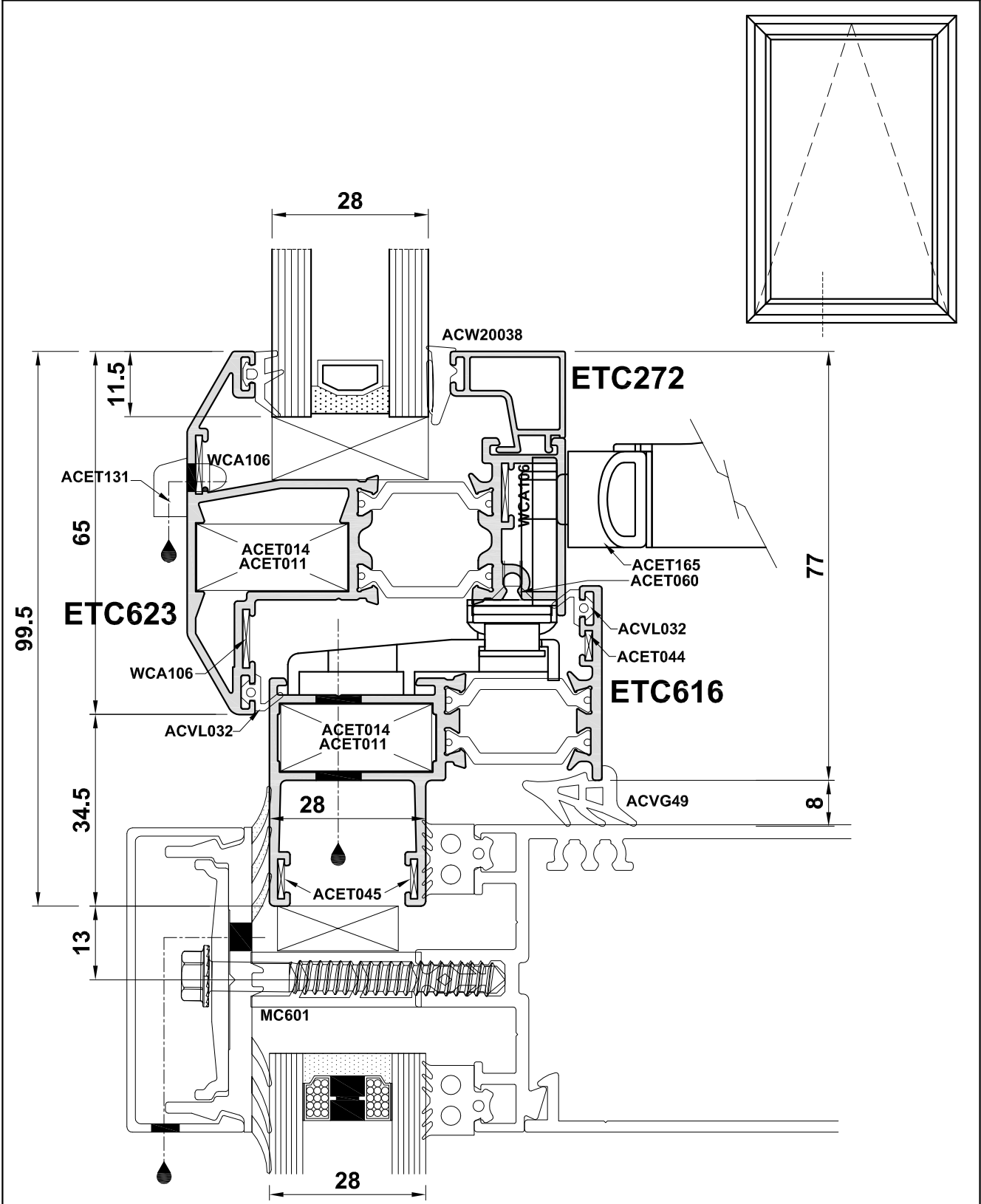
Do Not Scale From This Drawing

Detail 7E



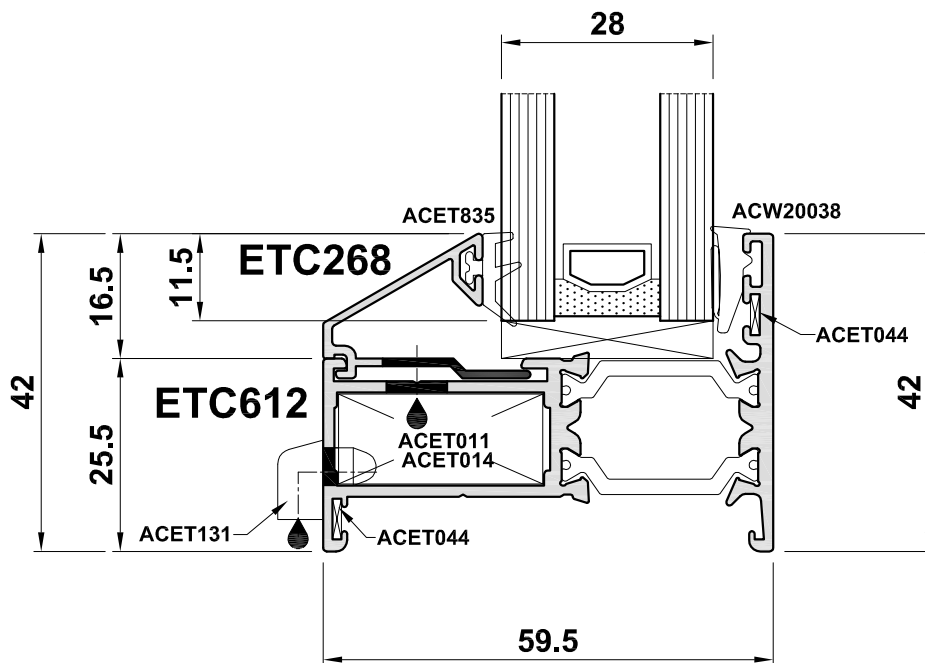
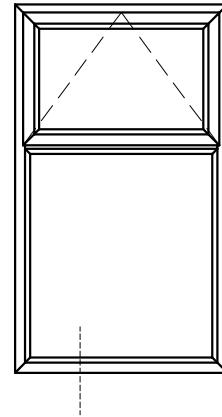
Do Not Scale From This Drawing

Detail 7F



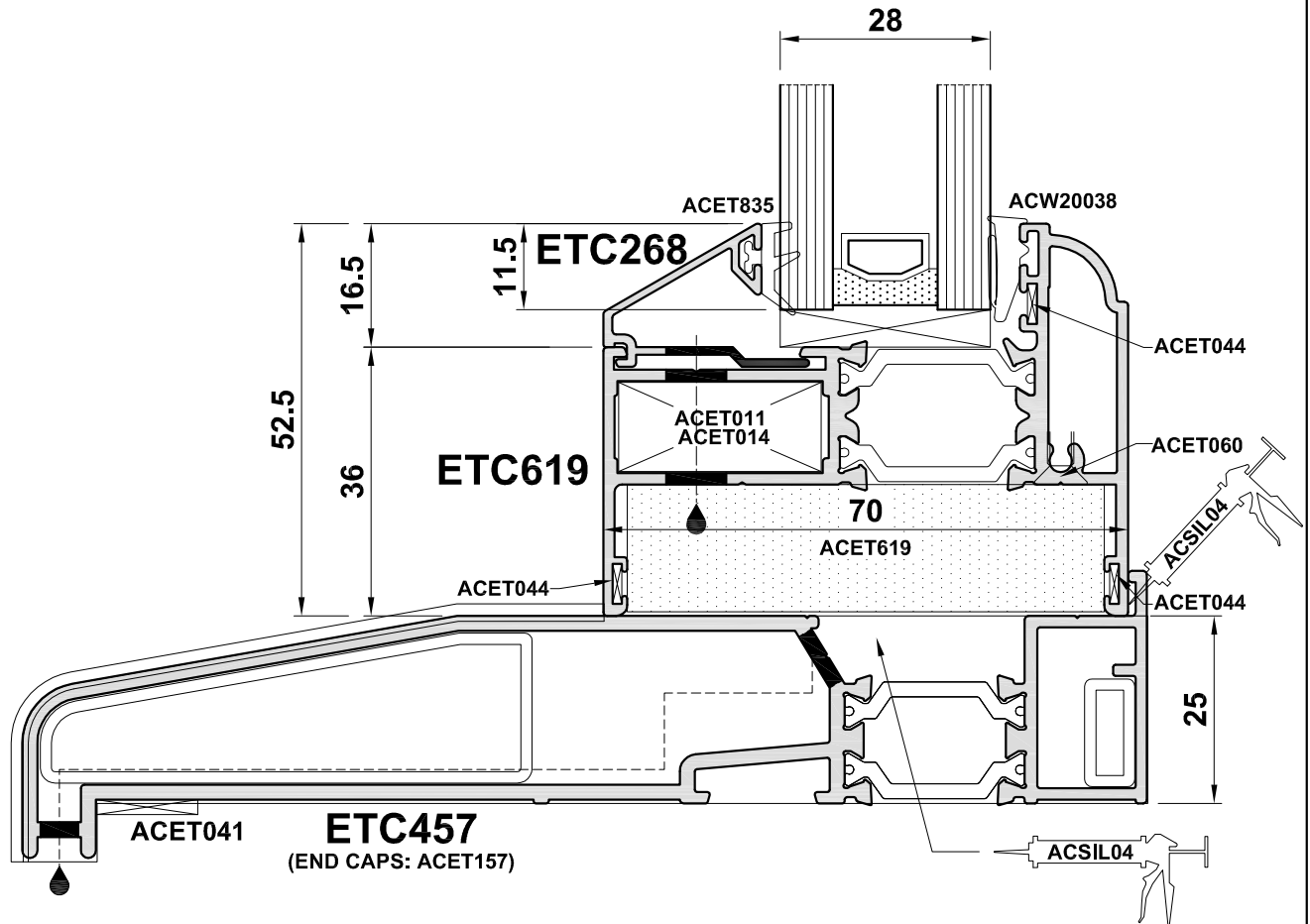
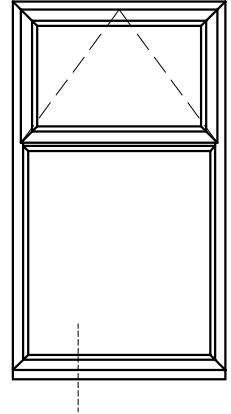
Do Not Scale From This Drawing

Detail 8A



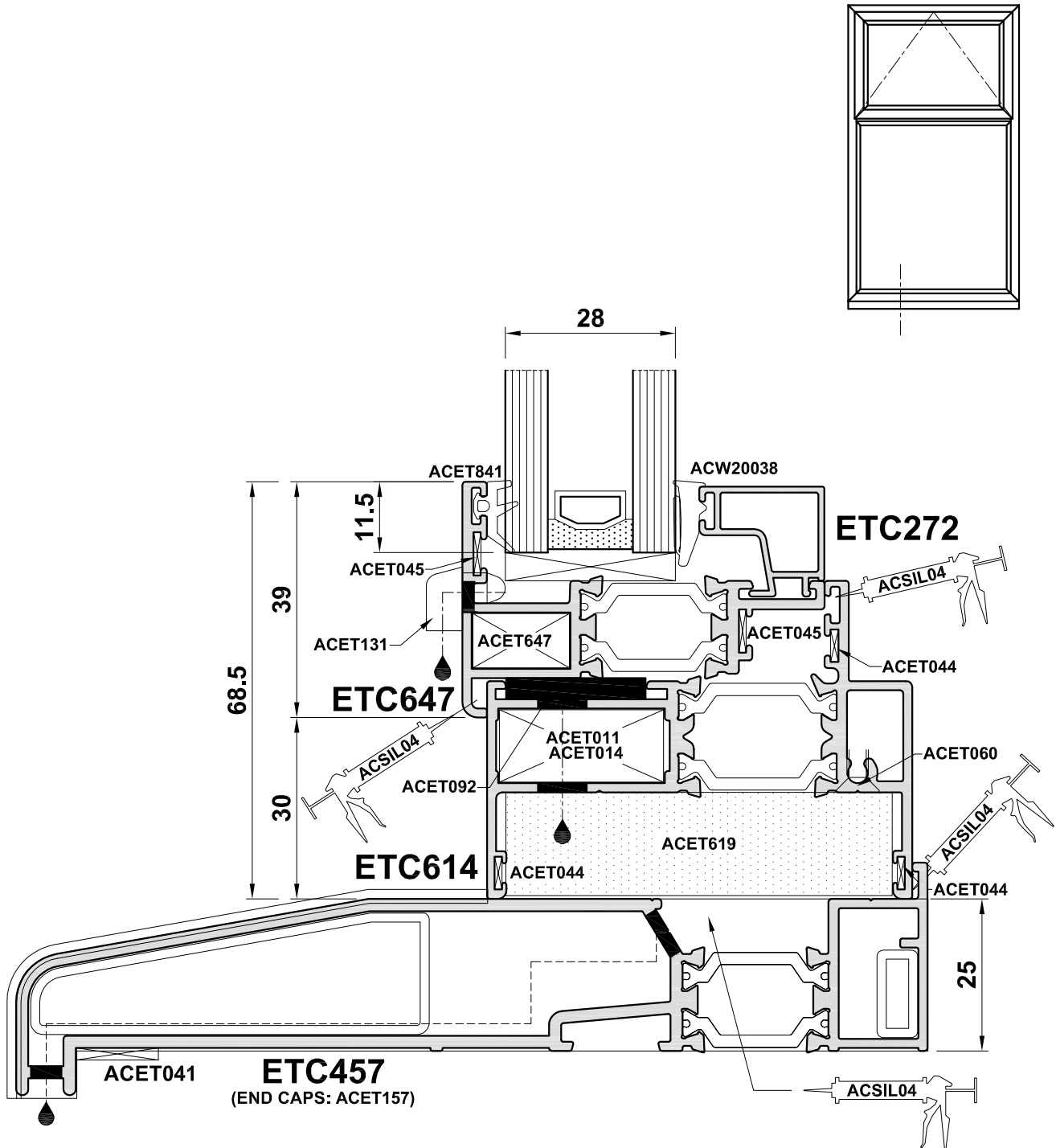
Do Not Scale From This Drawing

Detail 8B



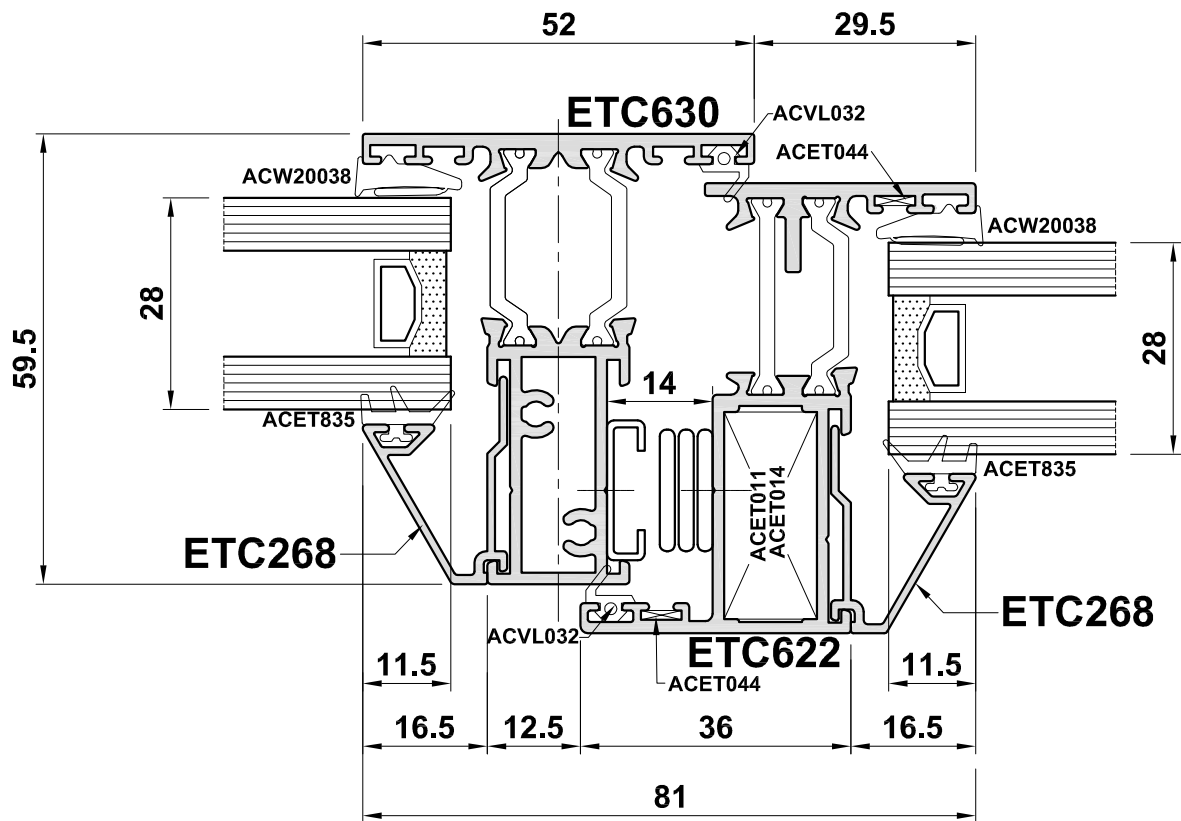
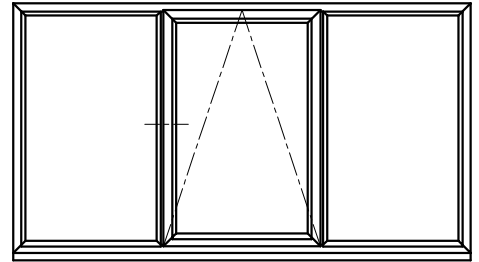
Do Not Scale From This Drawing

Detail 8C



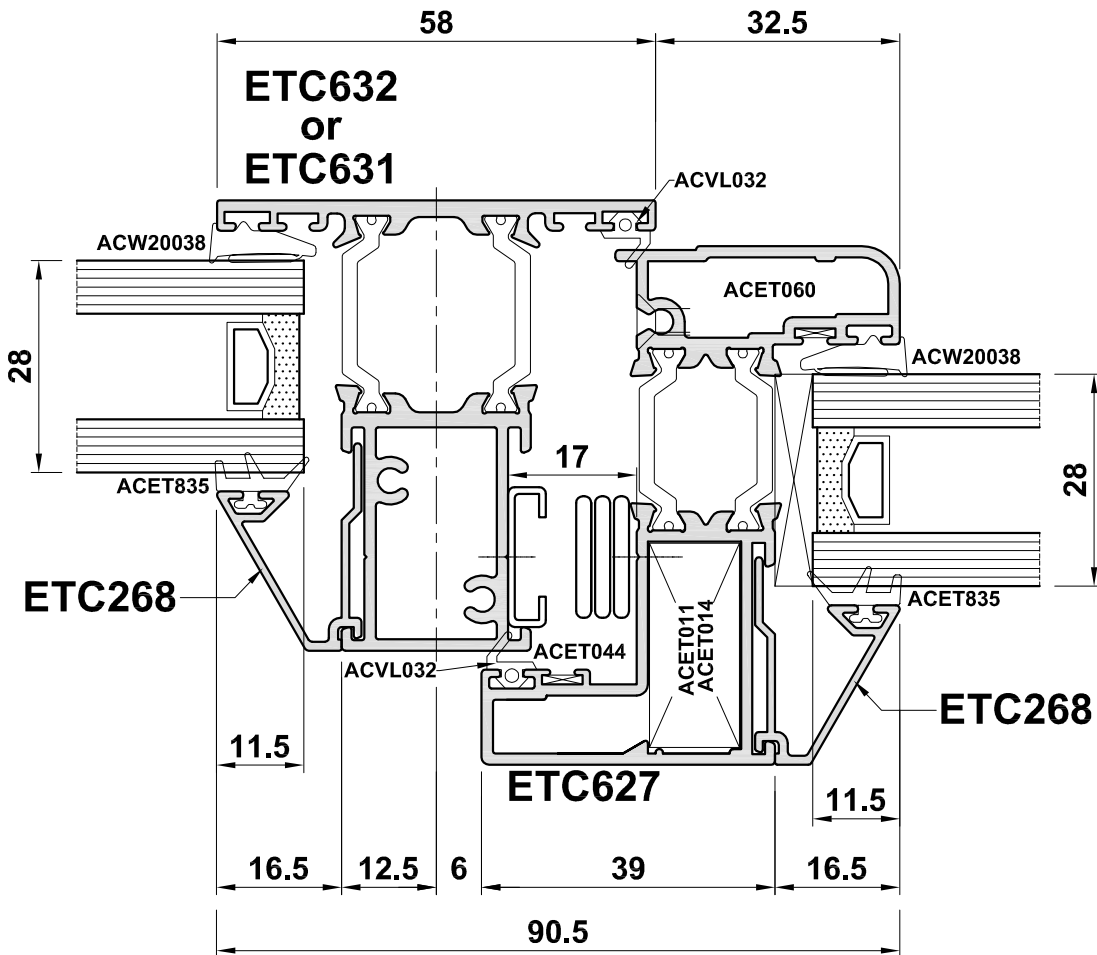
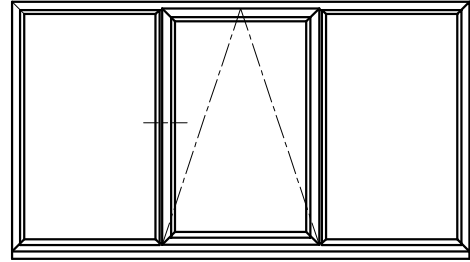
Do Not Scale From This Drawing

Detail 9A



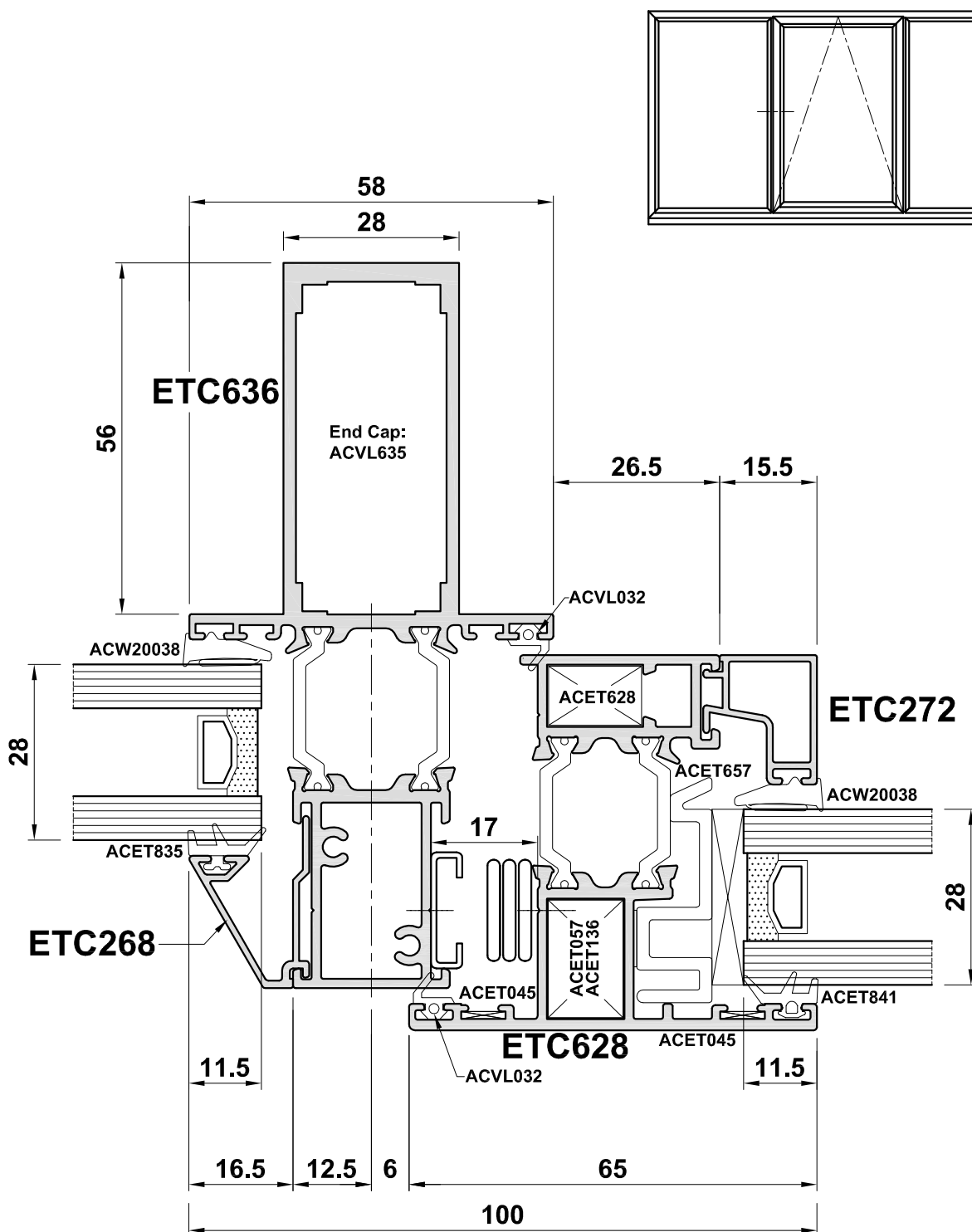
Do Not Scale From This Drawing

Detail 9B



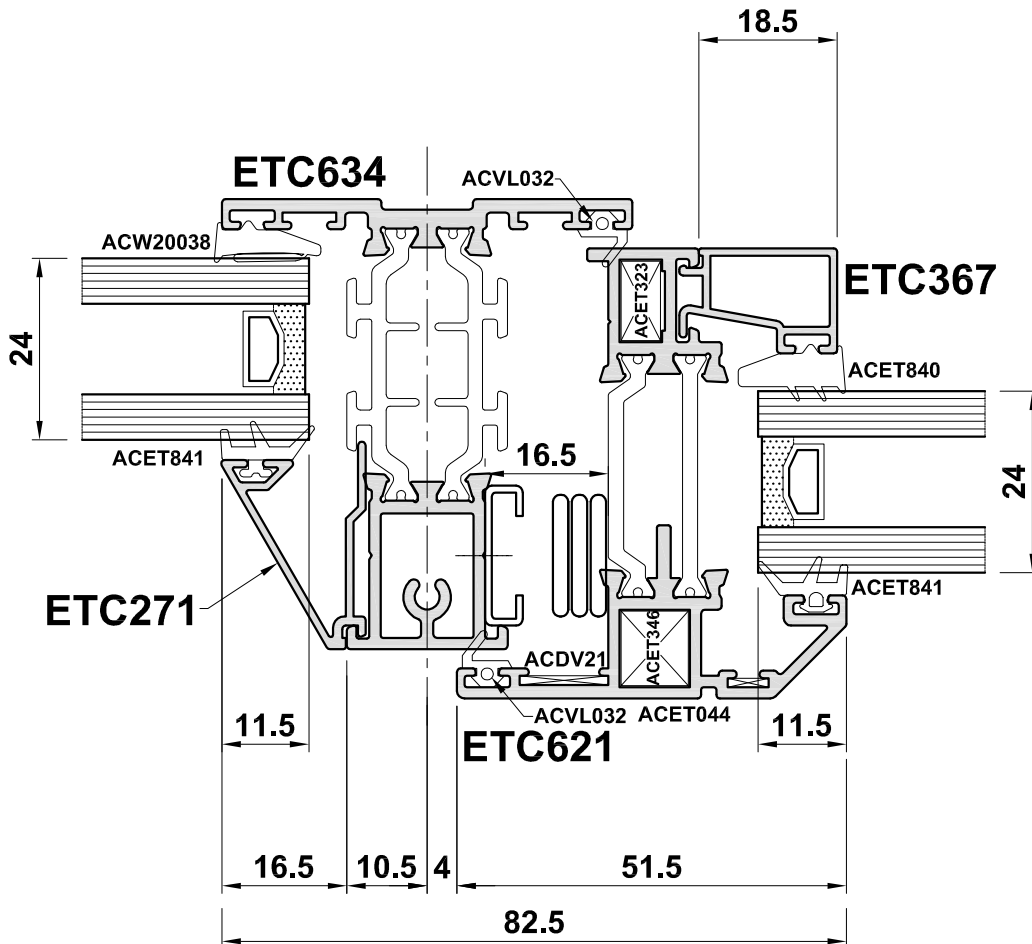
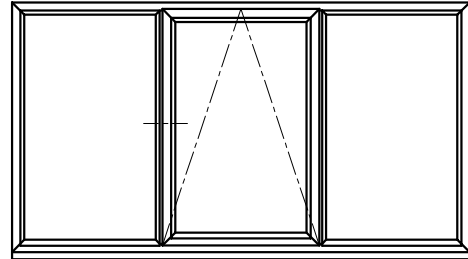
Do Not Scale From This Drawing

Detail 9C



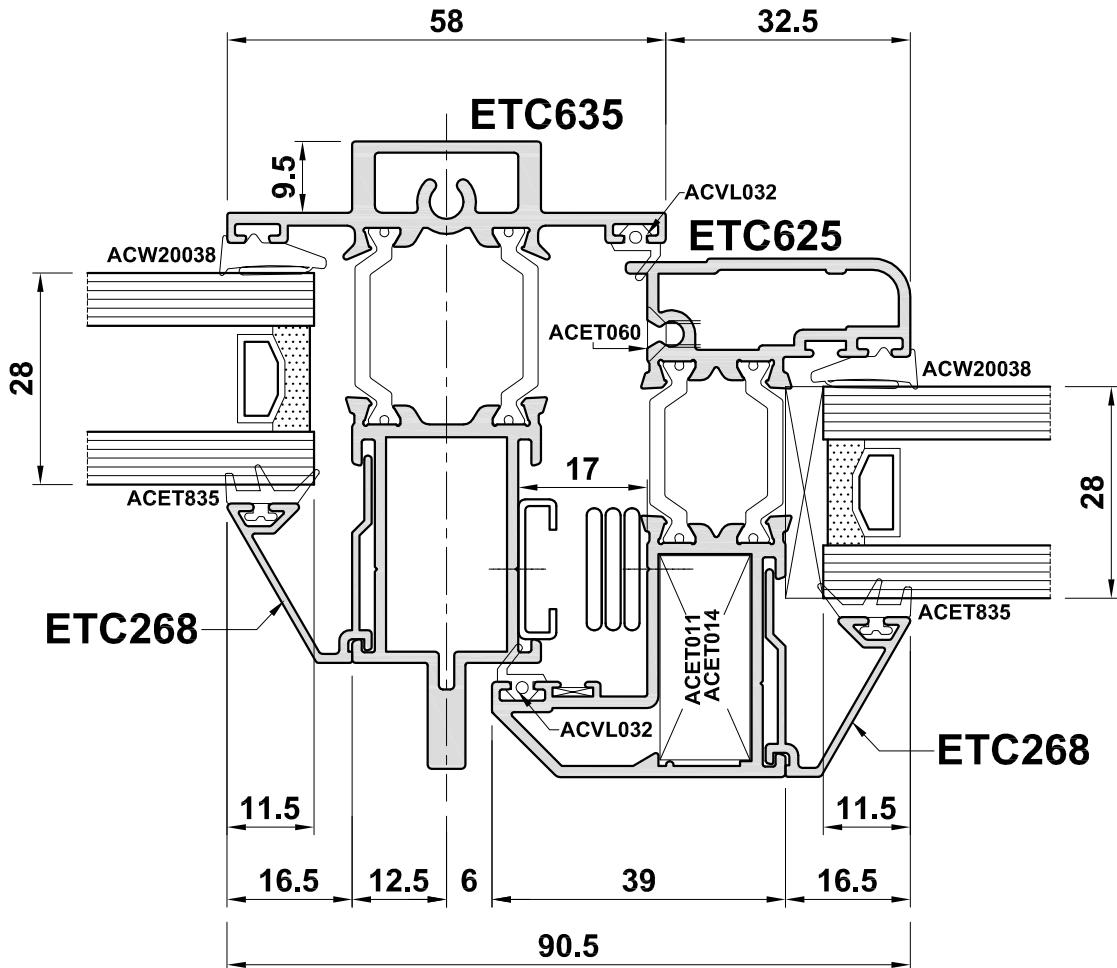
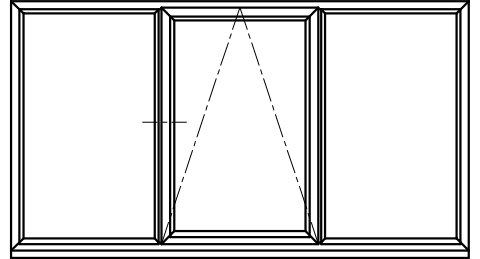
Do Not Scale From This Drawing

Detail 9D



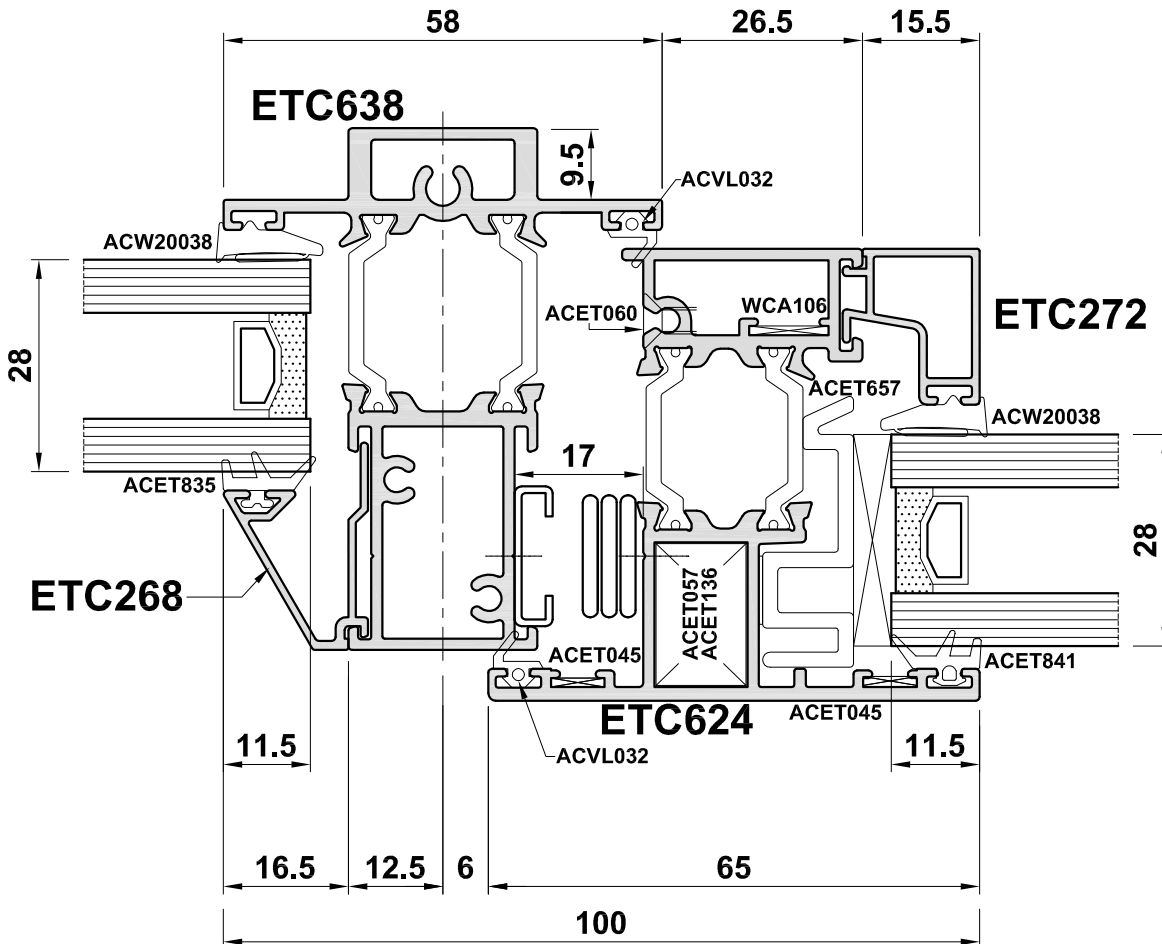
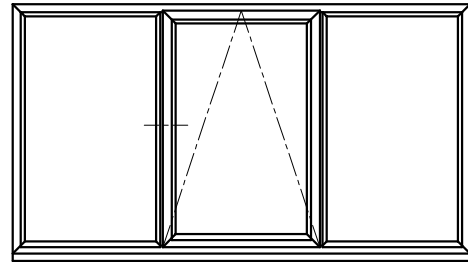
Do Not Scale From This Drawing

Detail 9E



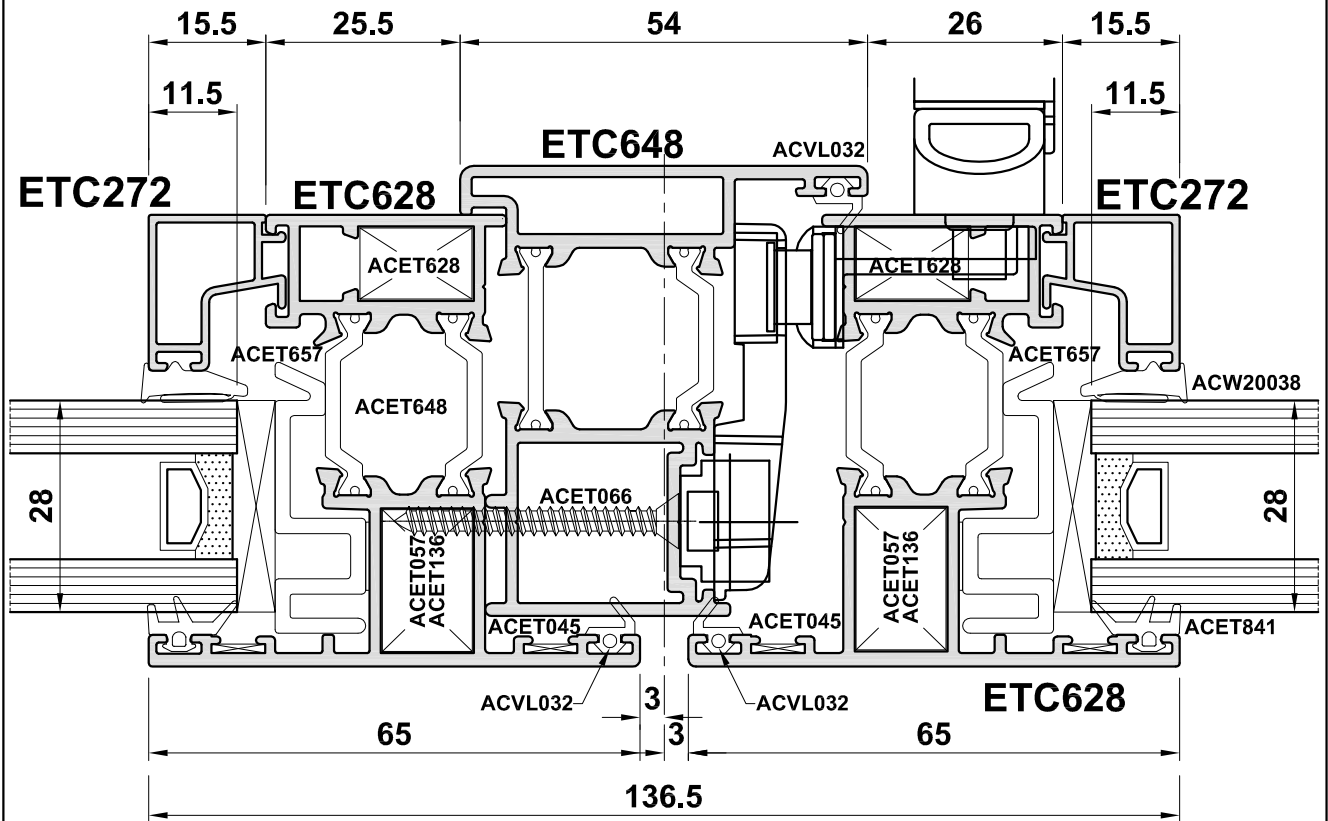
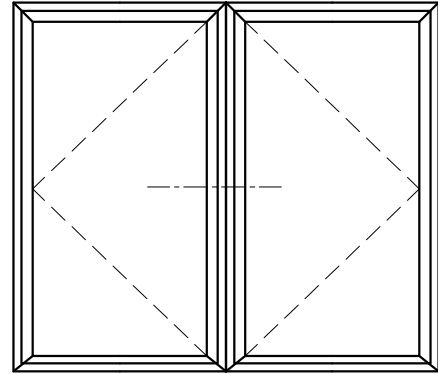
Do Not Scale From This Drawing

Detail 9F



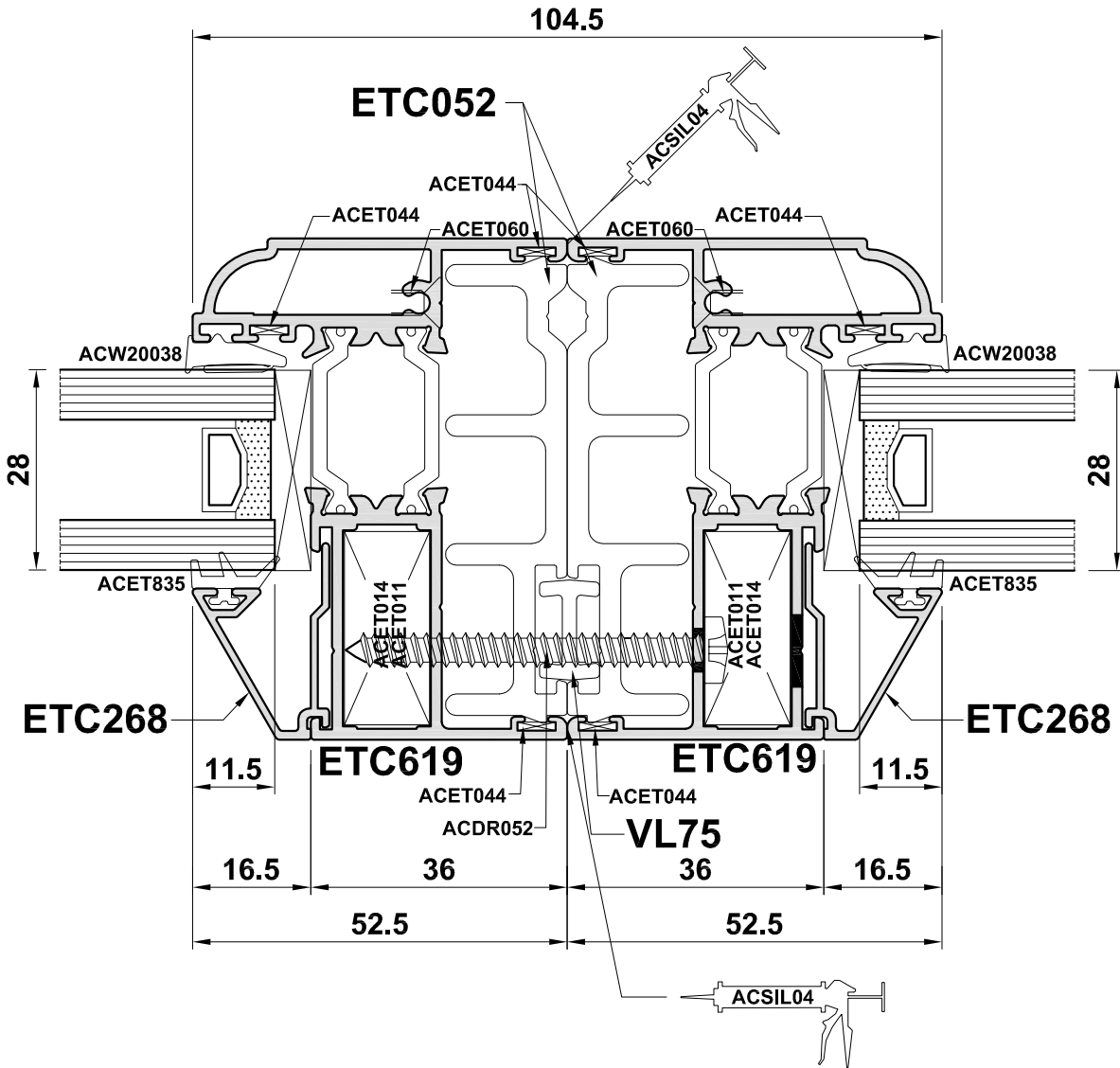
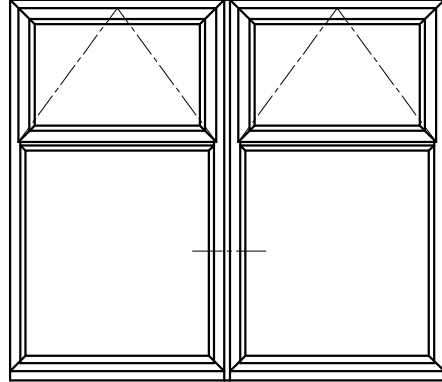
Do Not Scale From This Drawing

Detail 10



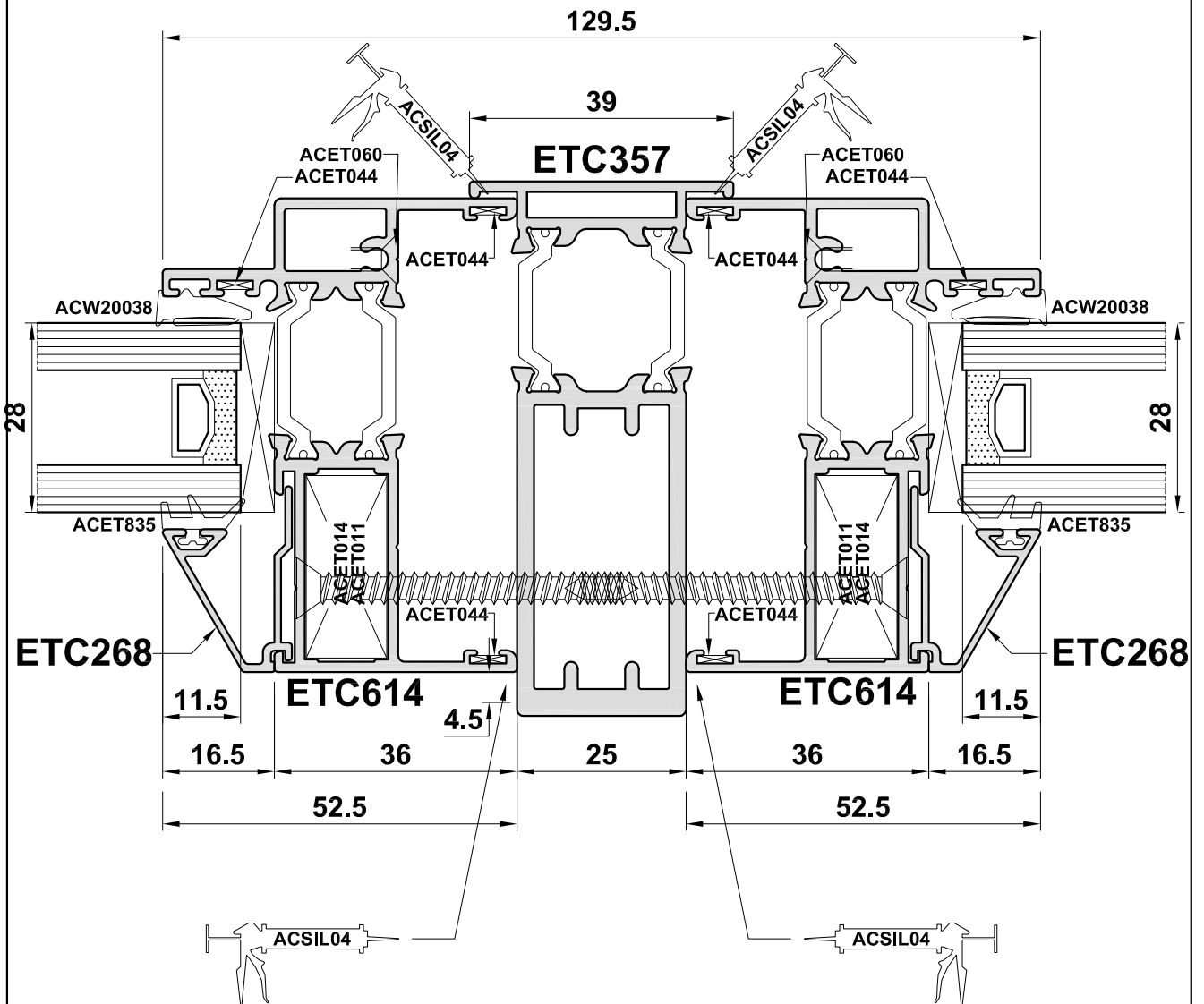
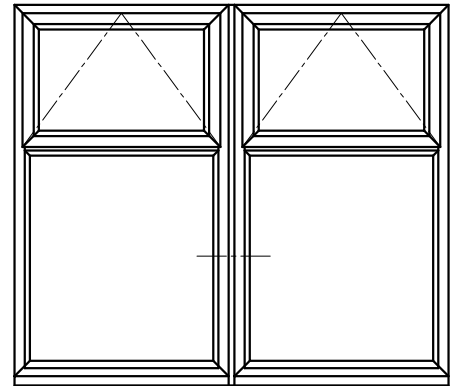
Do Not Scale From This Drawing

Detail 11A



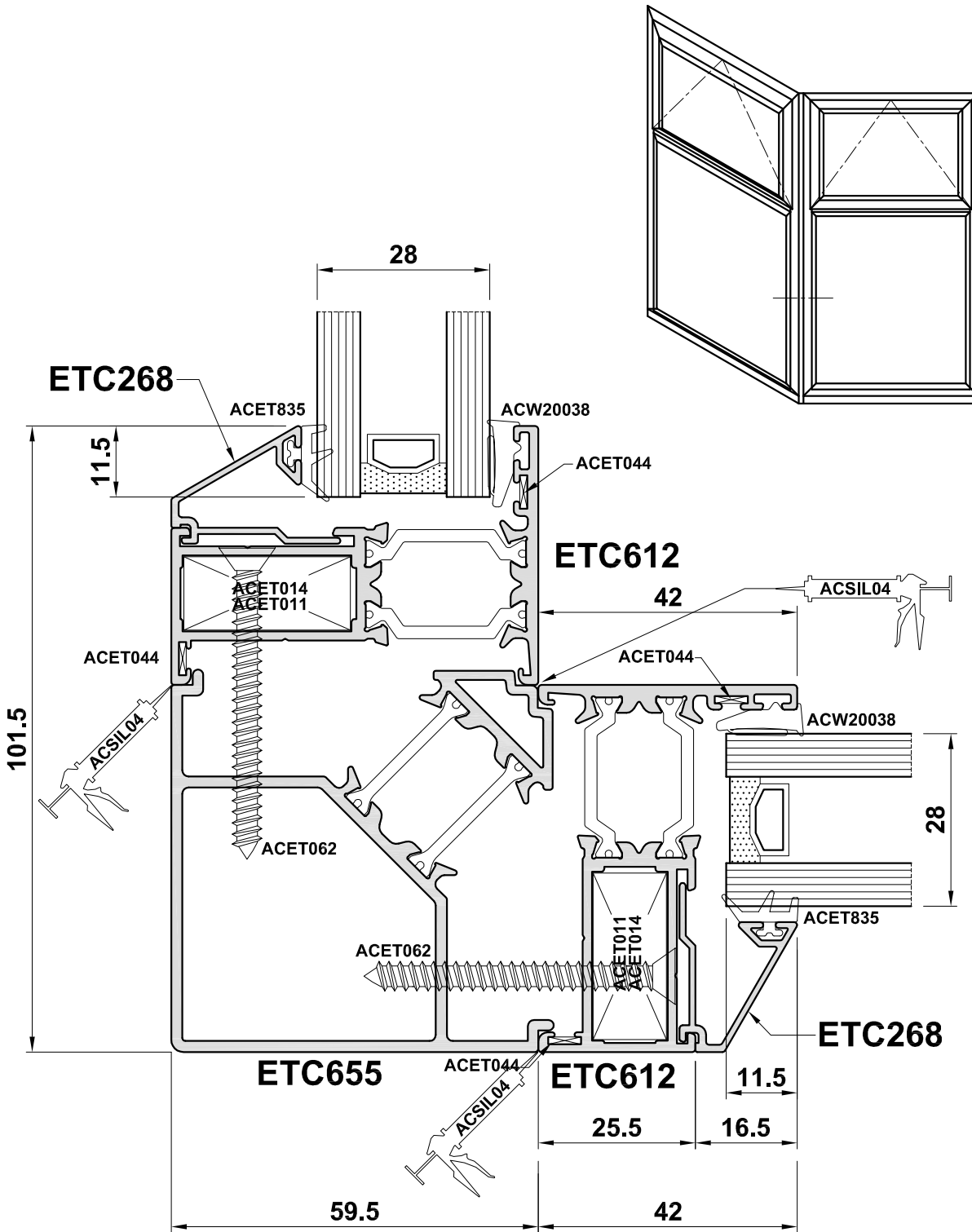
Do Not Scale From This Drawing

Detail 11B



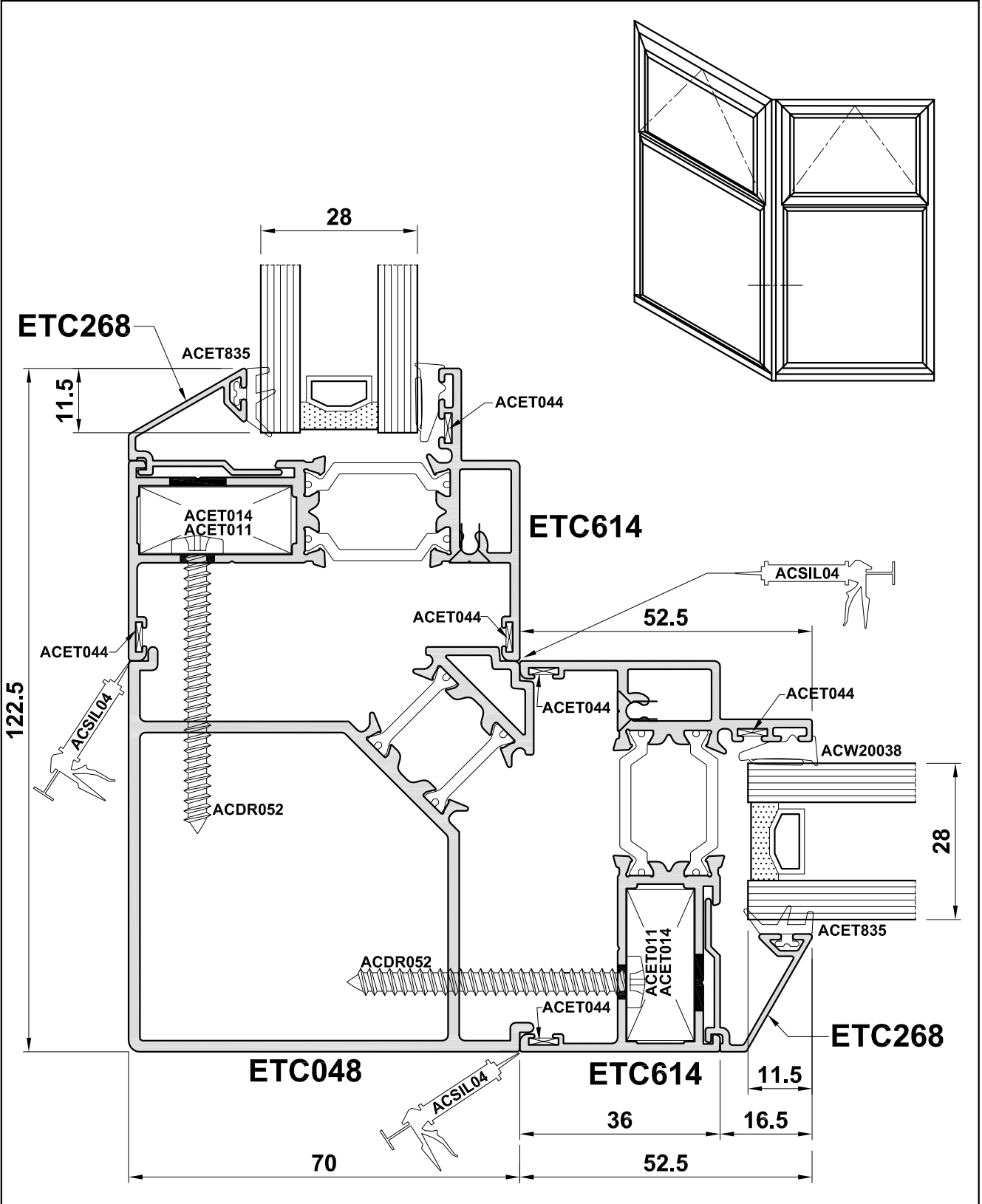
Do Not Scale From This Drawing

Detail 11C



Do Not Scale From This Drawing

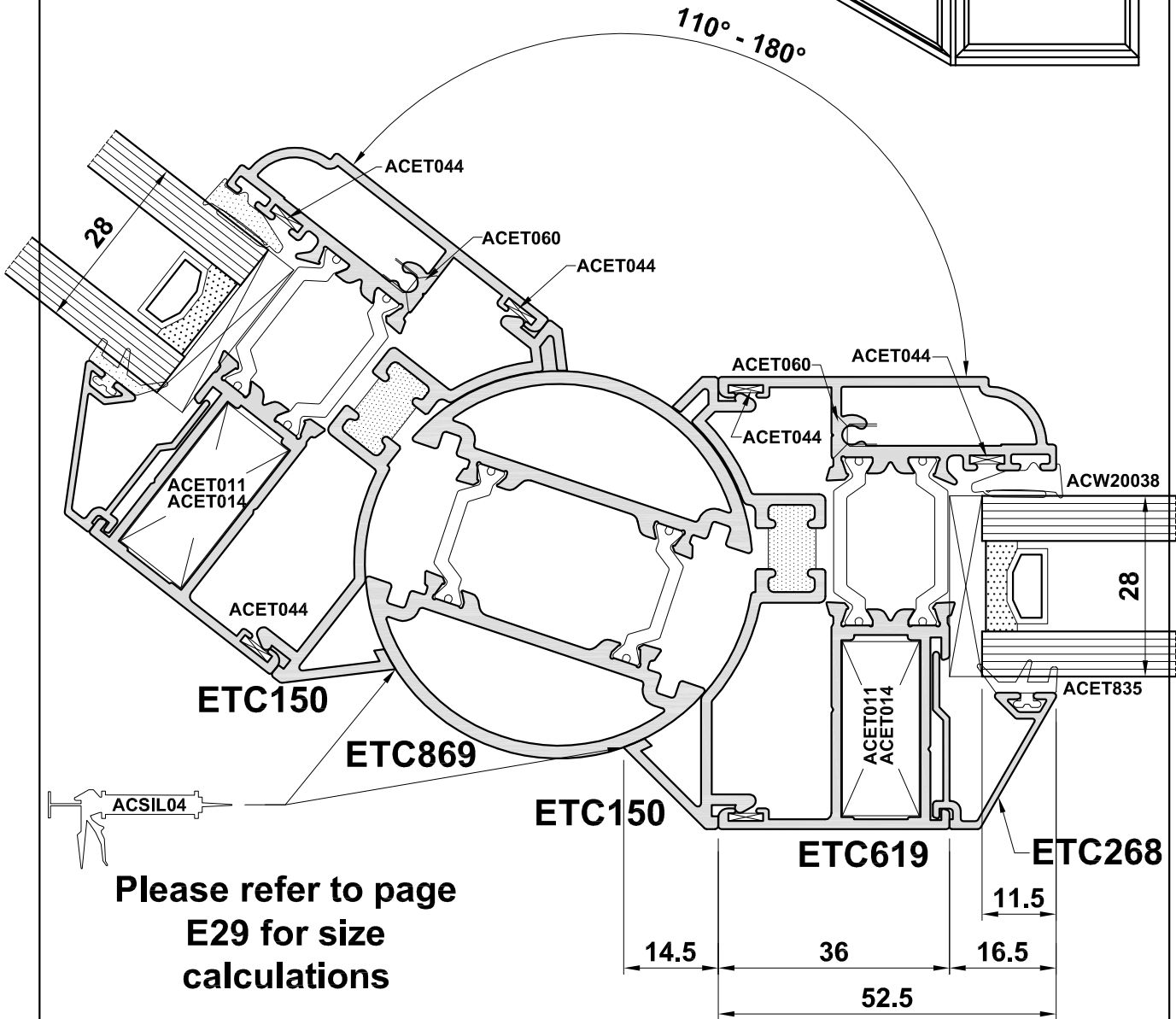
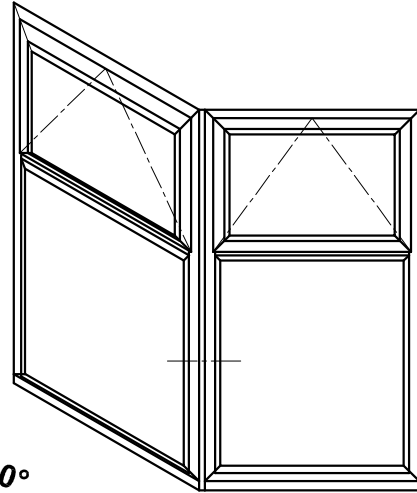
Detail 11D



Do Not Scale From This Drawing

Detail 11E

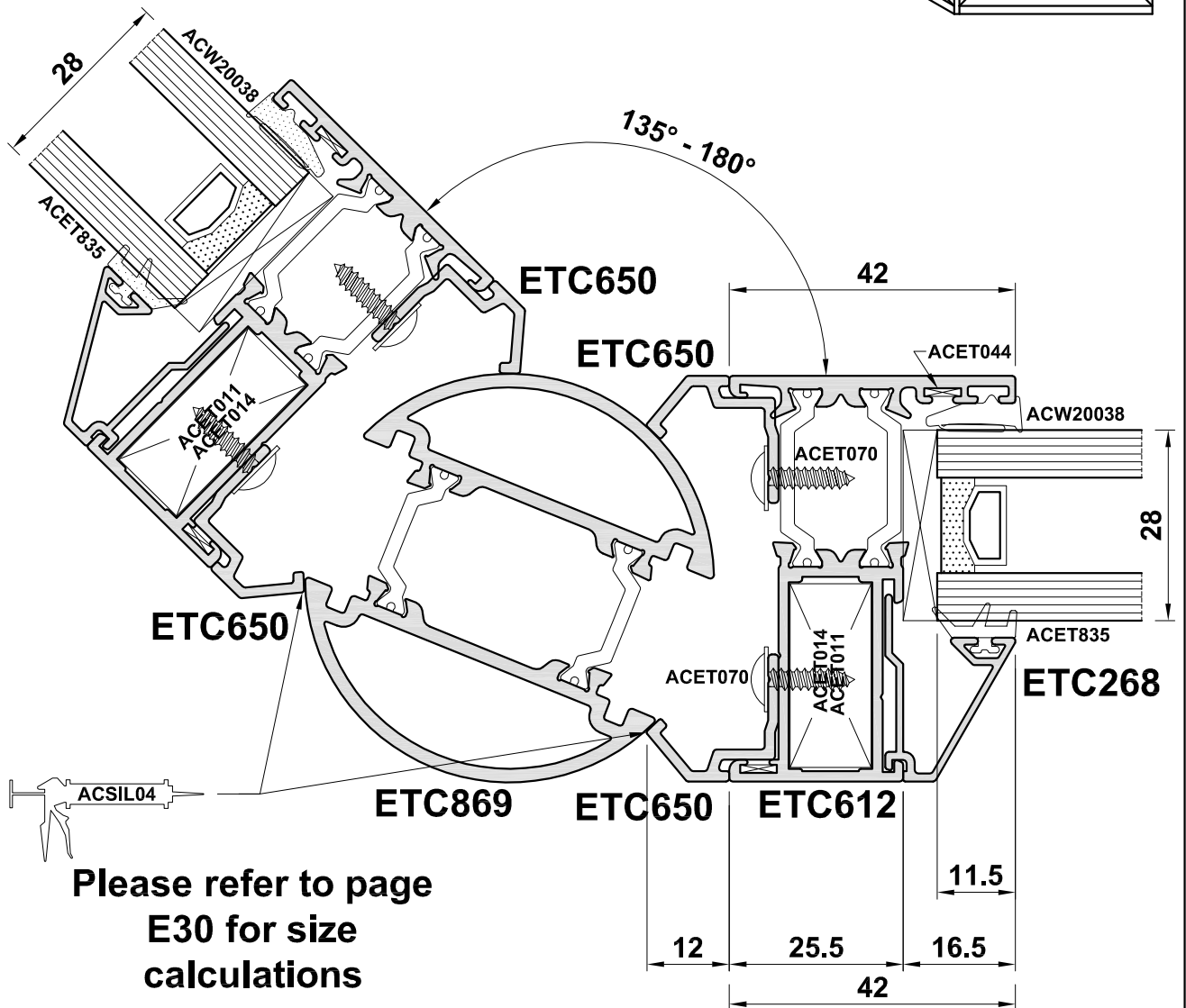
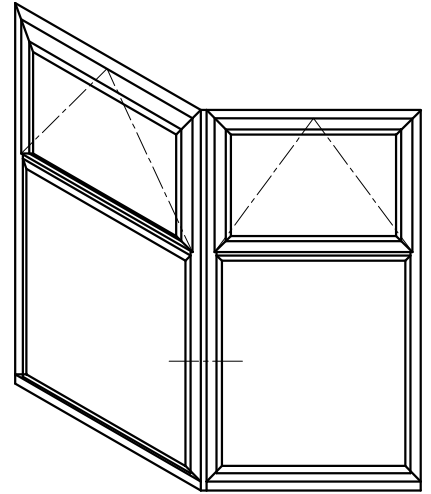
Dual Colour is not available with ETC150



**Please refer to page
E29 for size
calculations**

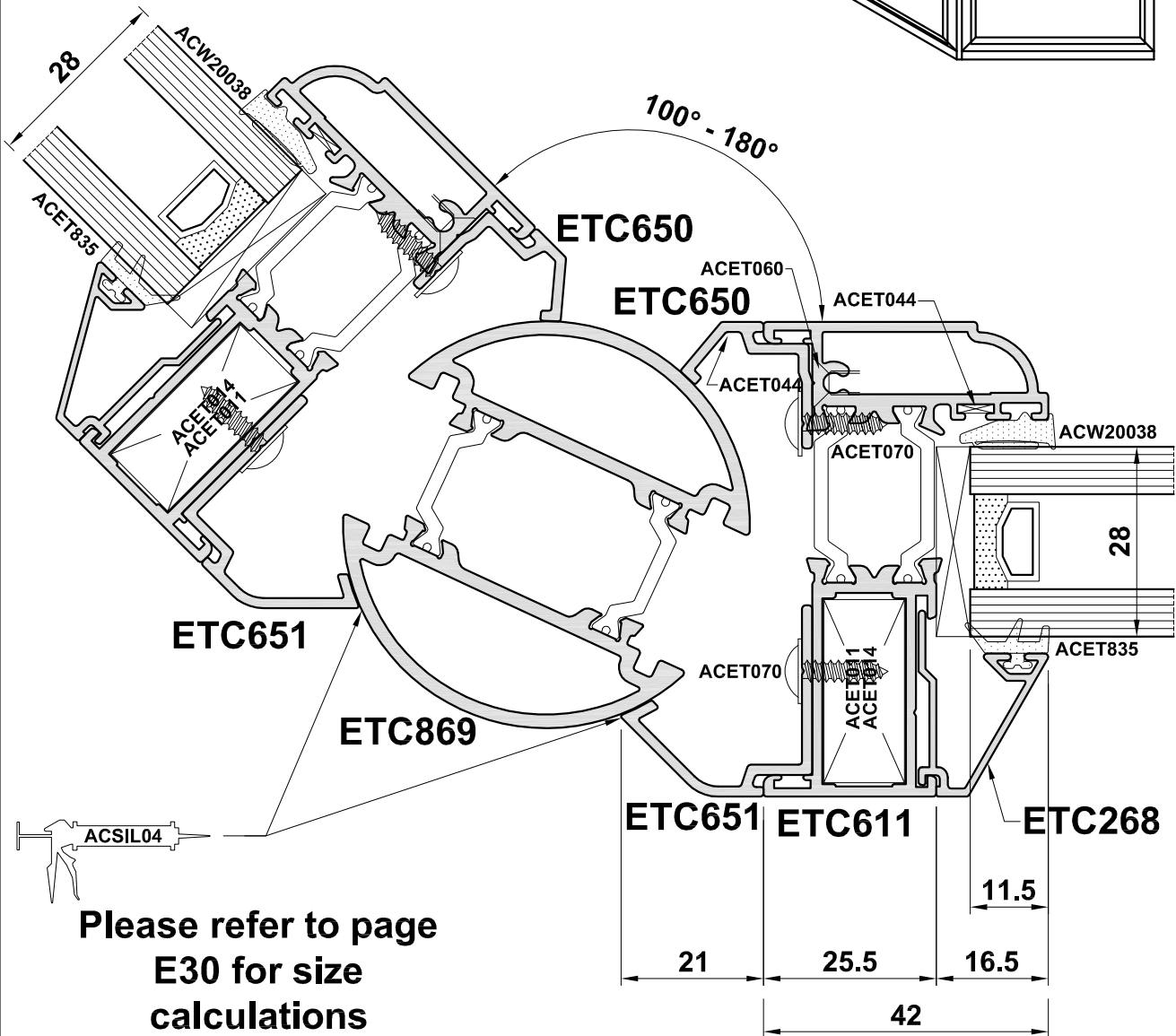
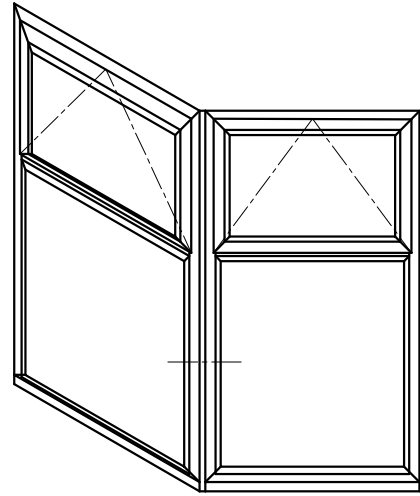
Do Not Scale From This Drawing

Detail 11F



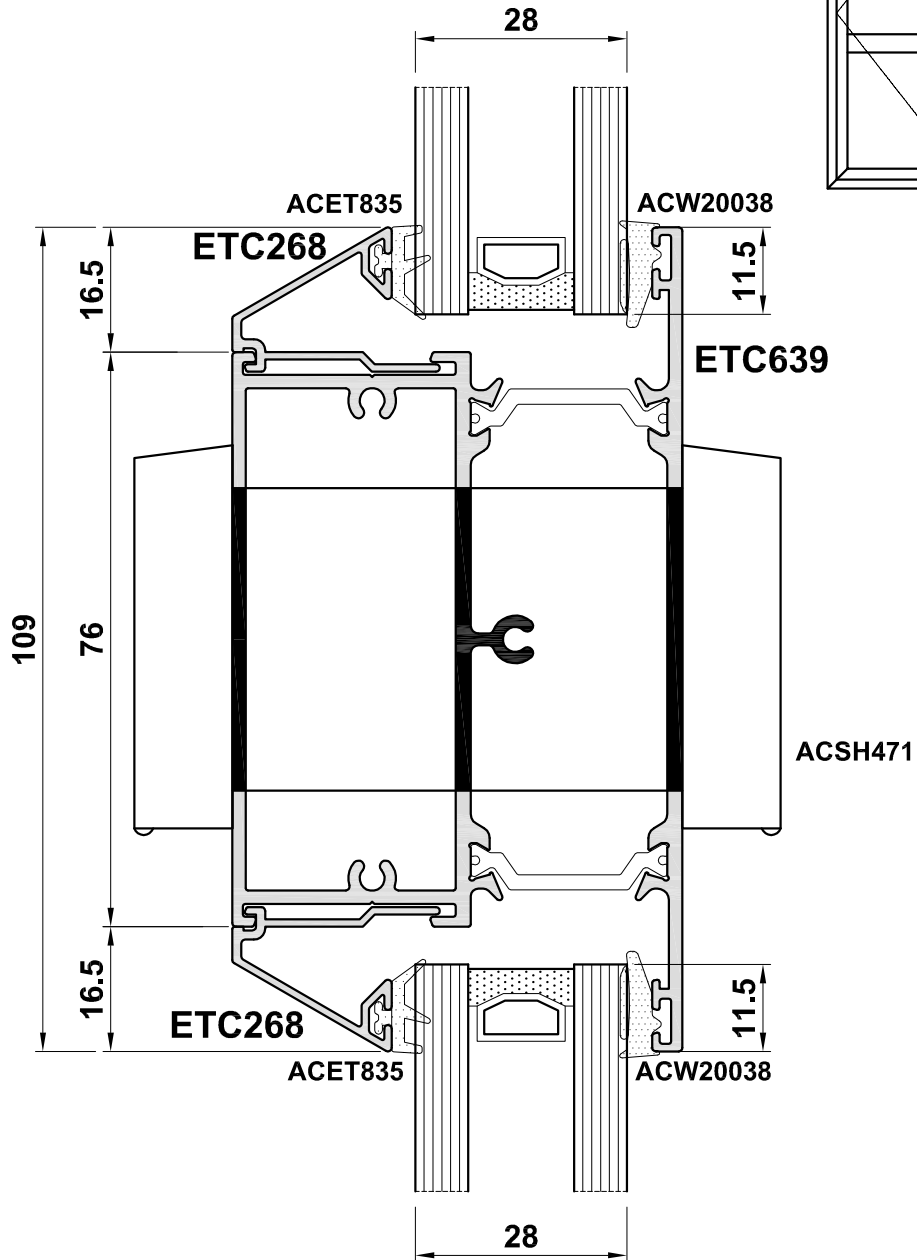
Do Not Scale From This Drawing

Detail 11G

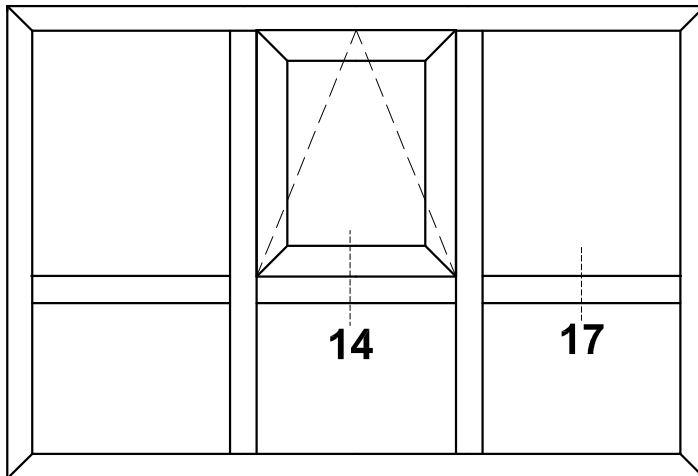
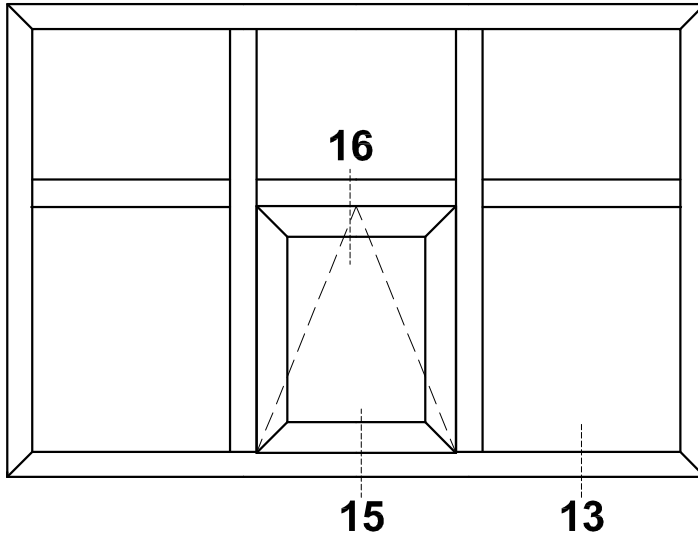


Do Not Scale From This Drawing

Detail 12

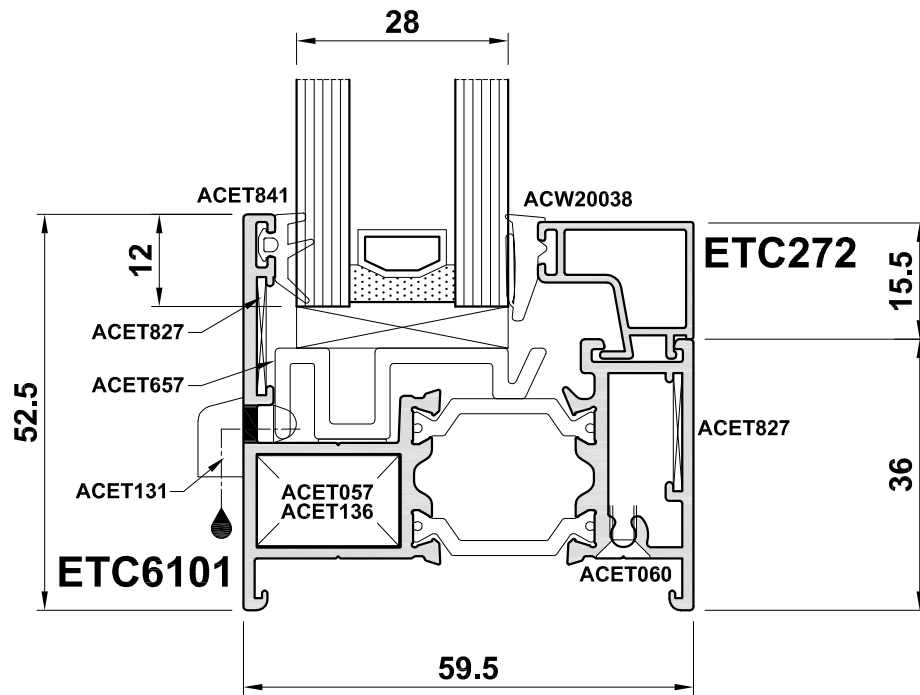
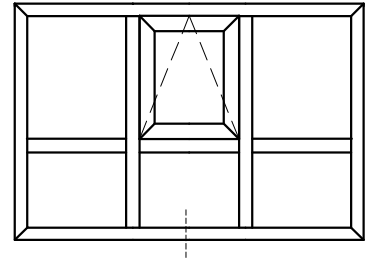


Do Not Scale From This Drawing



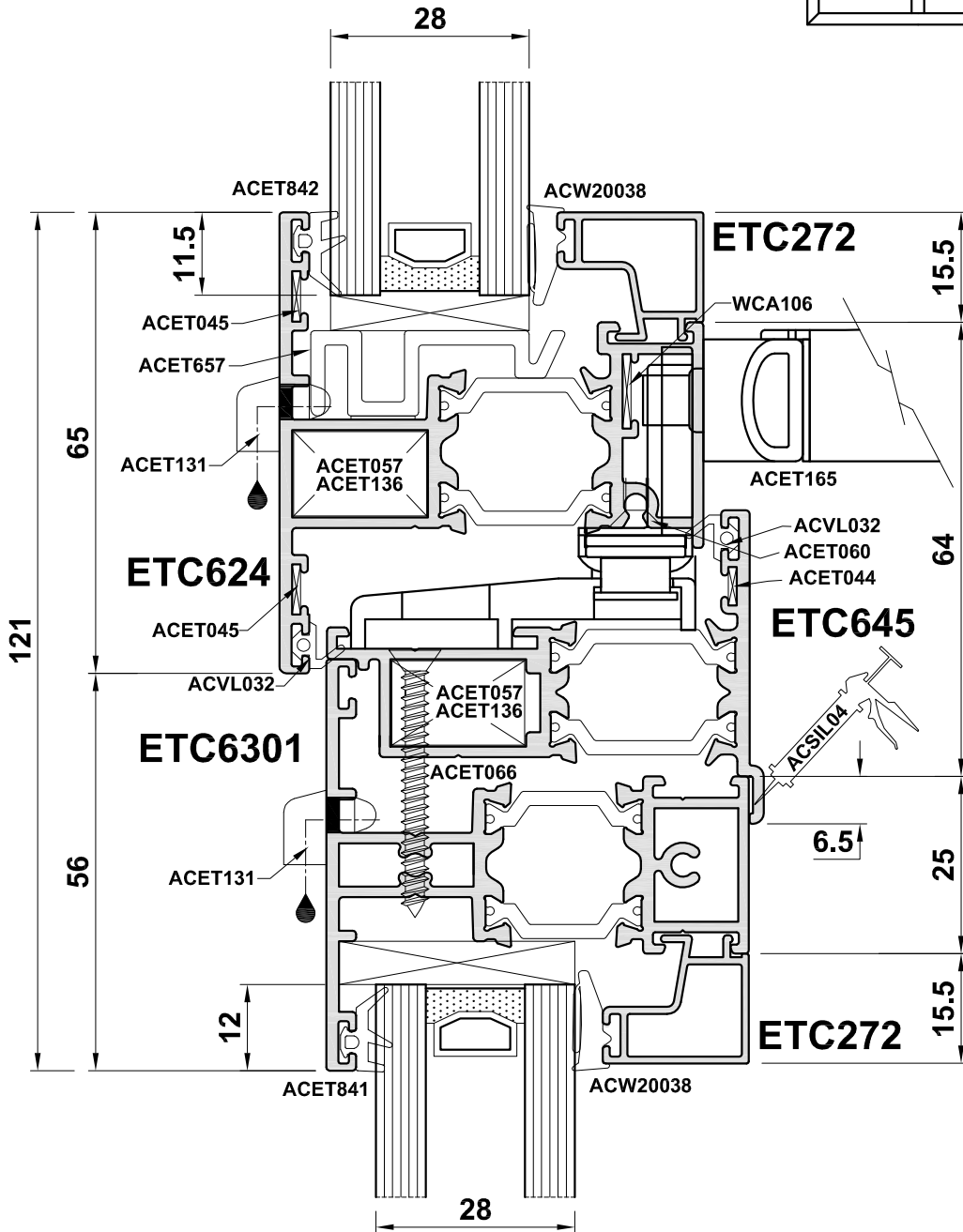
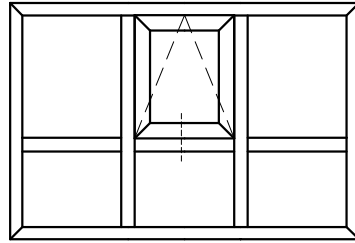
Do Not Scale From This Drawing

Detail 13



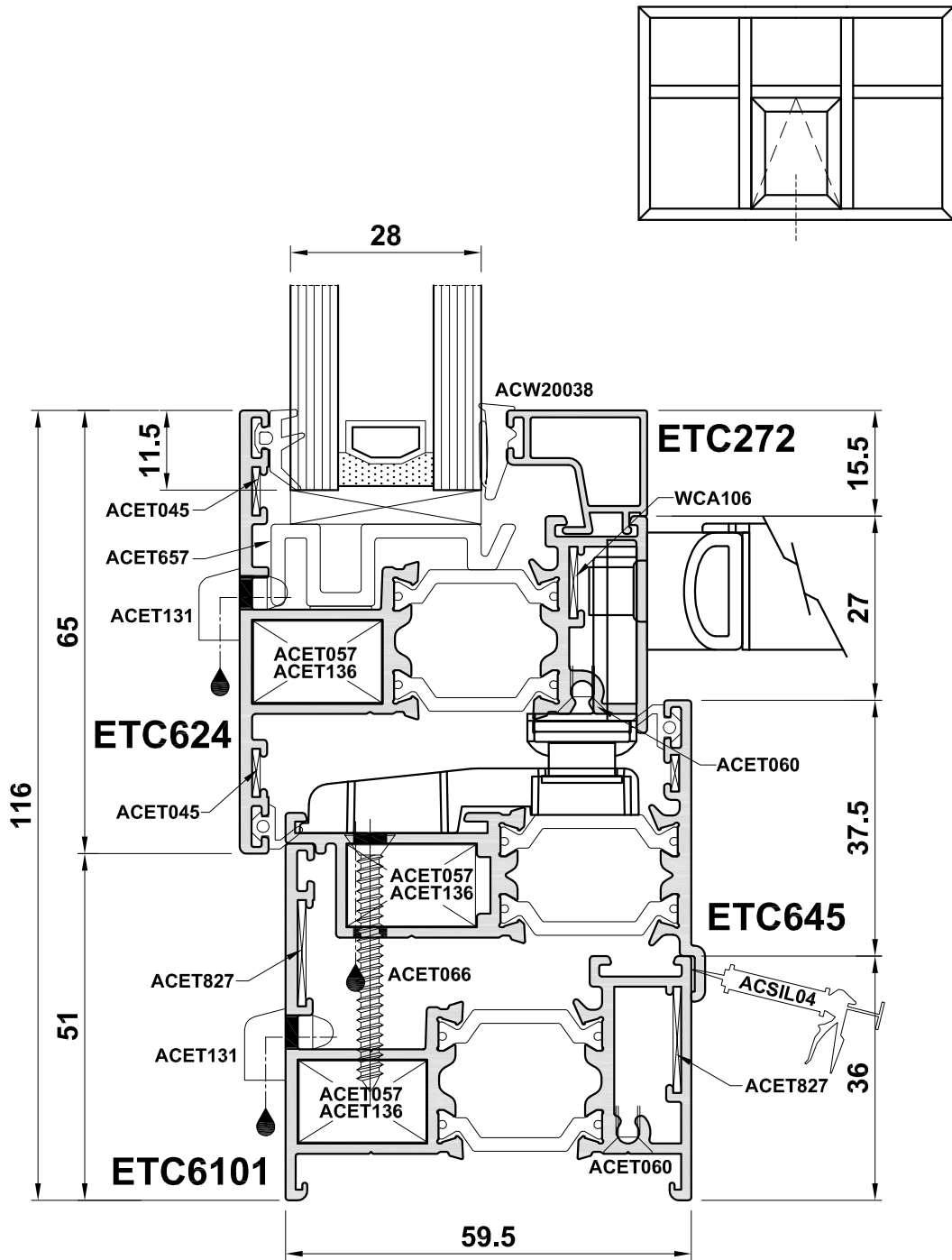
Do Not Scale From This Drawing

Detail 14



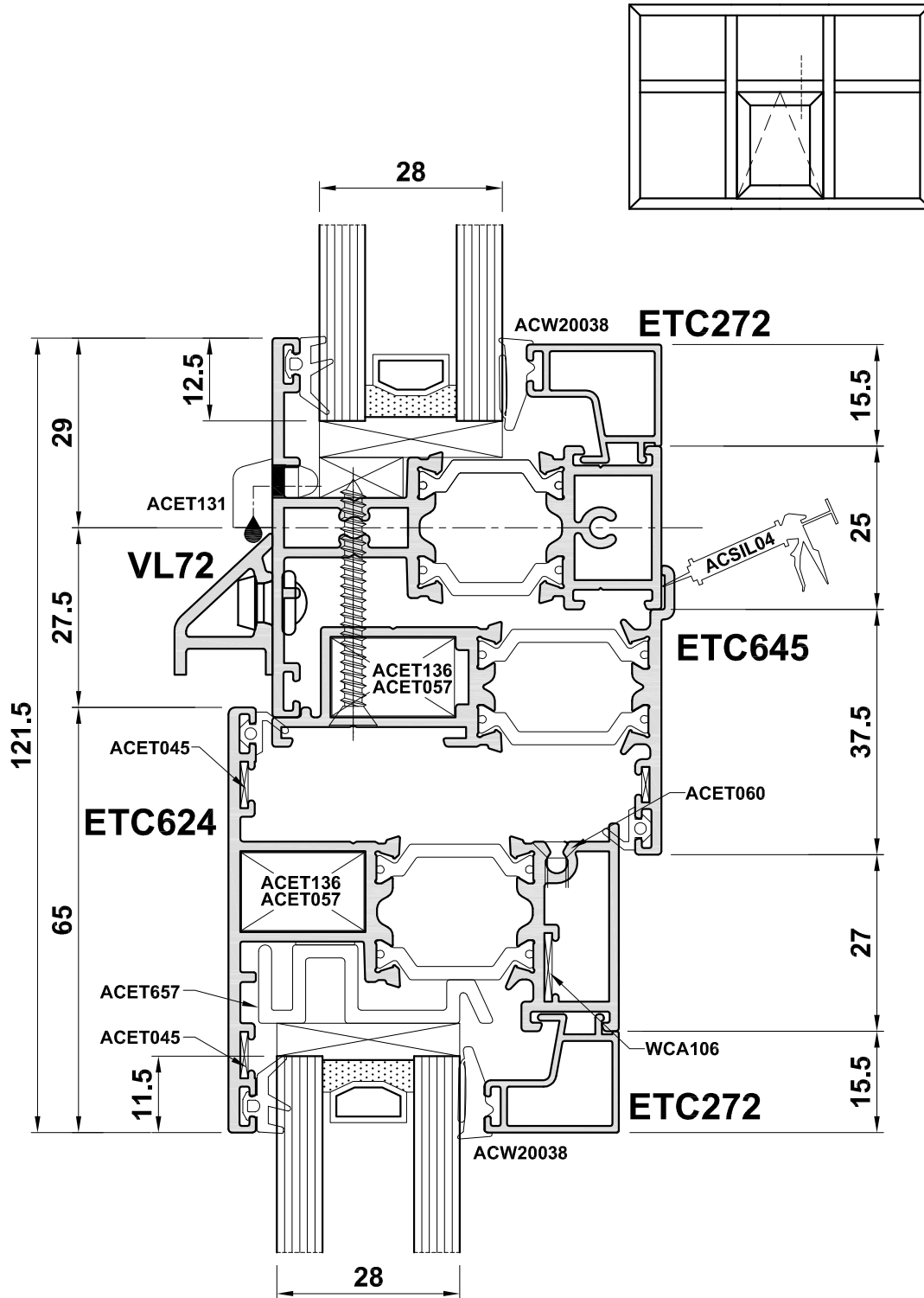
Do Not Scale From This Drawing

Detail 15



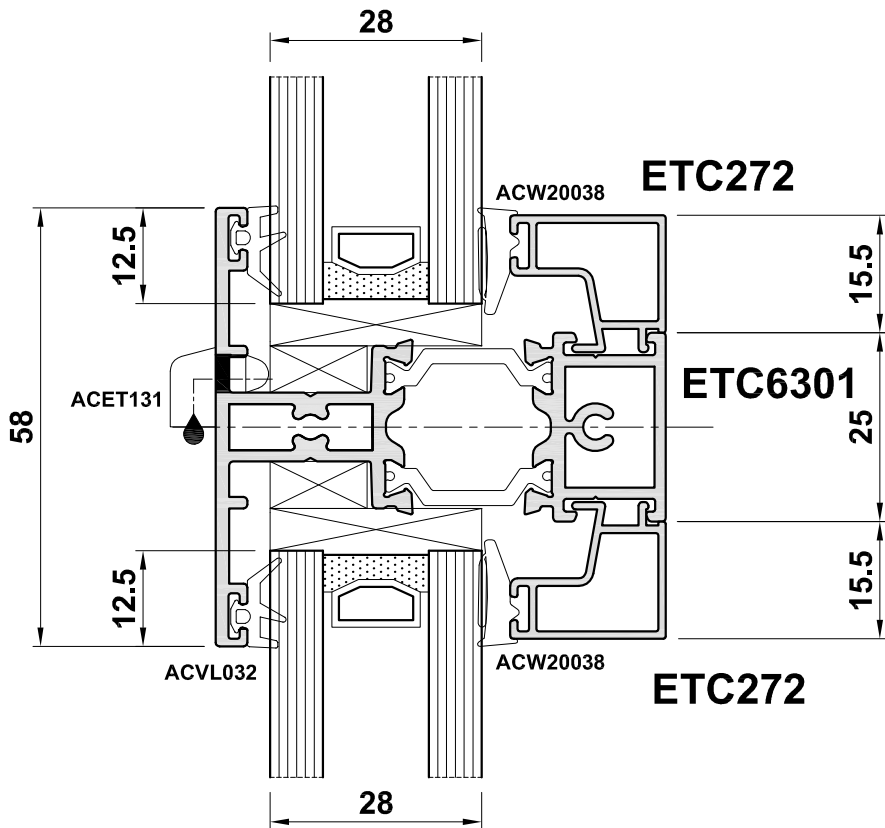
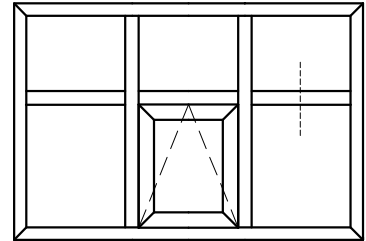
Do Not Scale From This Drawing

Detail 16

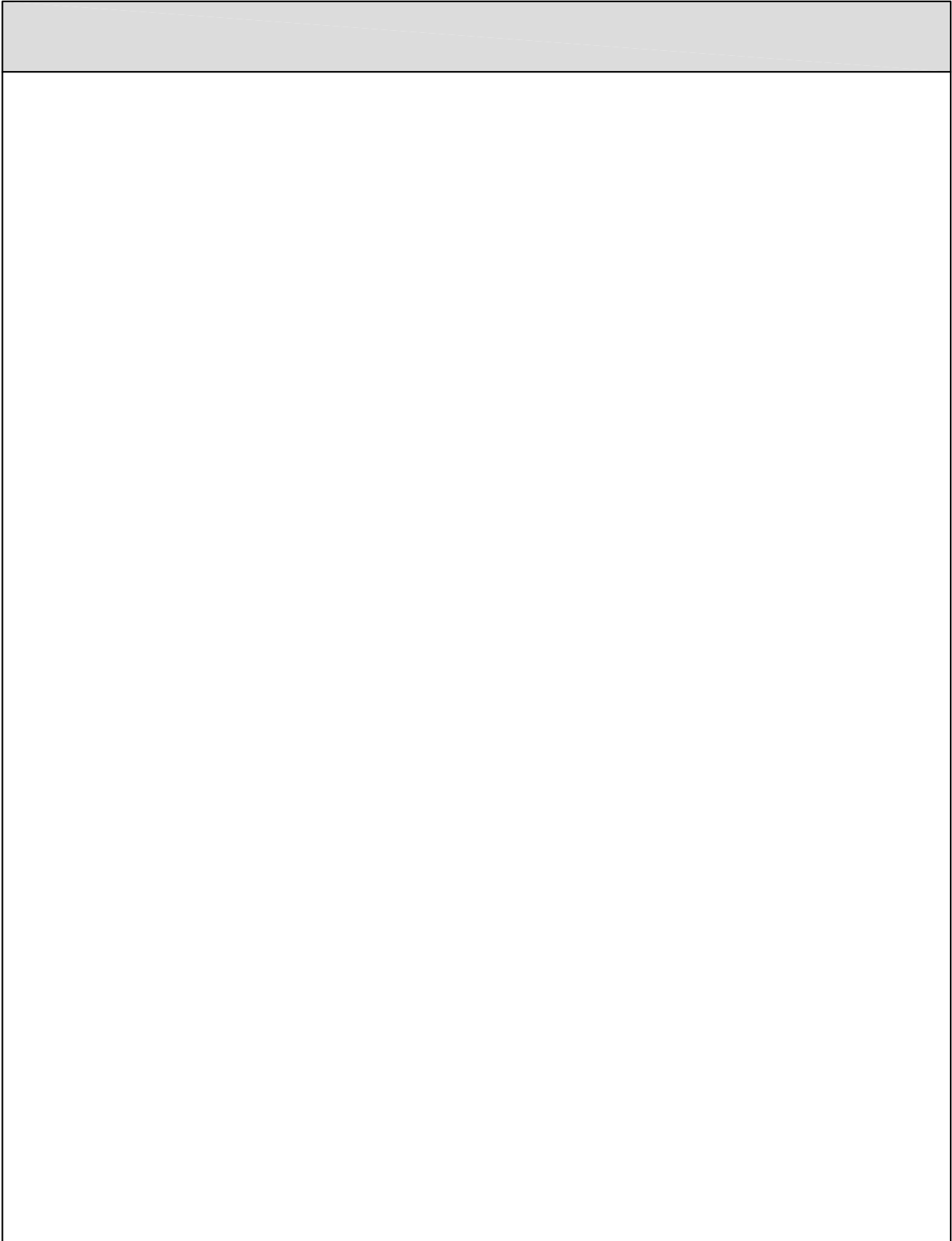


Do Not Scale From This Drawing

Detail 17



Do Not Scale From This Drawing

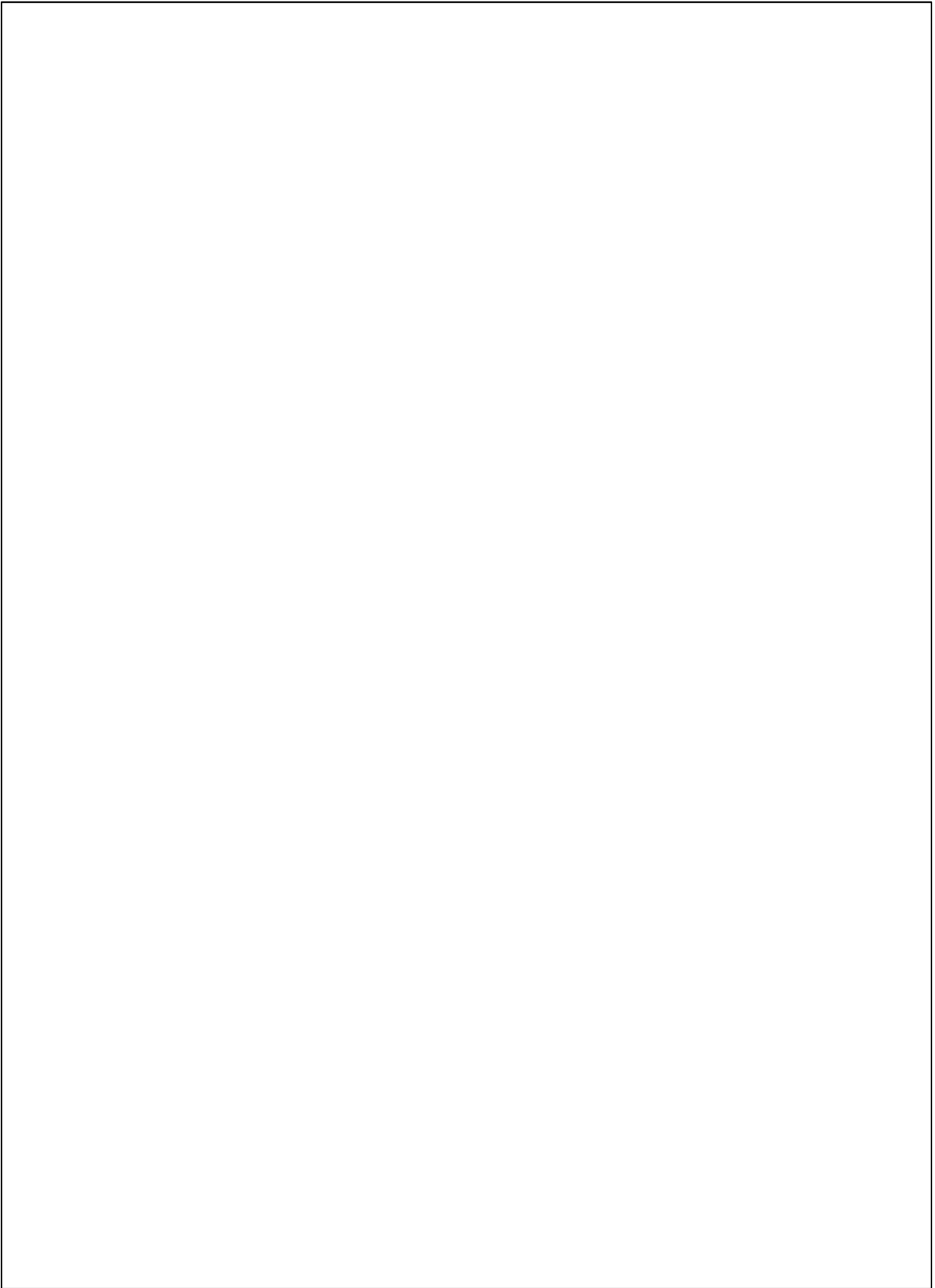


Do Not Scale From This Drawing

Section D

Statics

**For Wind Loading Limitations,
Please Contact
The Technical Department.**



Section E

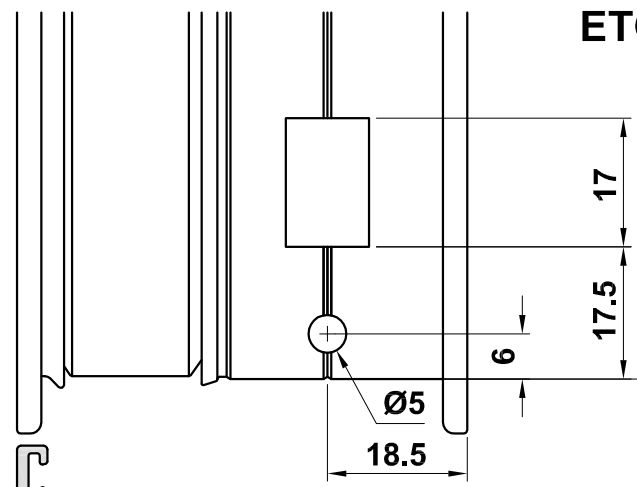


Construction Drawings

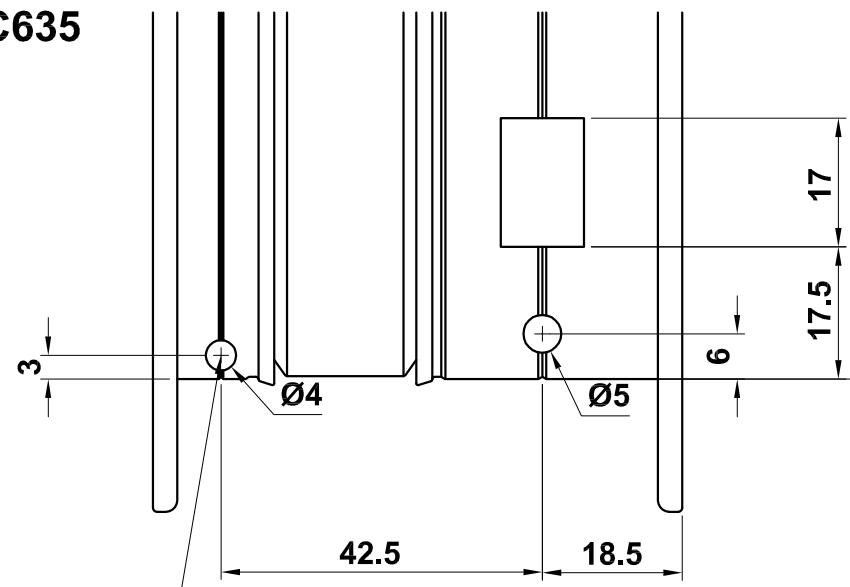
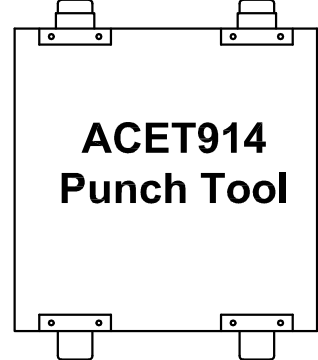
1	-	Corner Jointing	Page E03-E06
2	-	Drainage.....	Page E07-E08
3	-	Transom/Mullion Fixings.....	Page E09-E16
4	-	Hinges - System Parameters	Page E17-E21
5	-	Locking Hardware - System Parameters	Page E21-E25
6	-	Bead & Glazing	Page E26-E28
7	-	Bay Pole Details.....	Page E29-E32
8	-	Miscellaneous.....	Page E33-E34

Section E

Corner Assembly - Mechanical Cleats

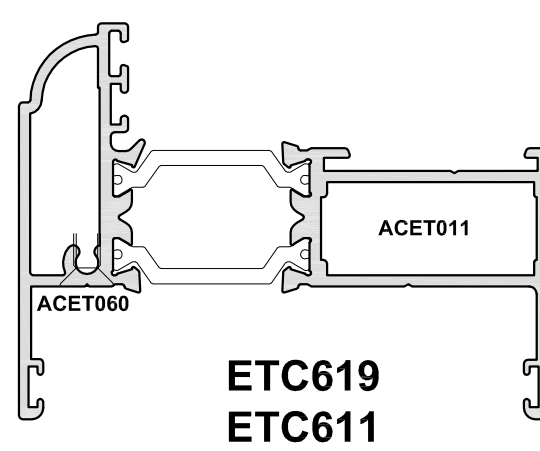
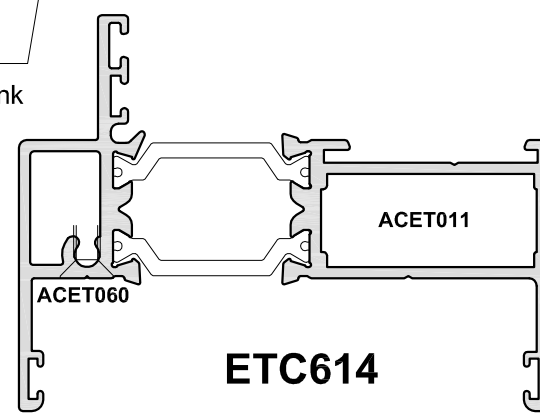
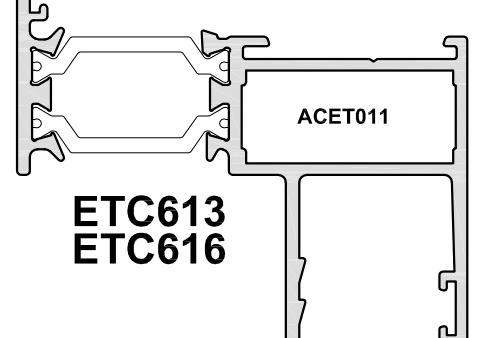
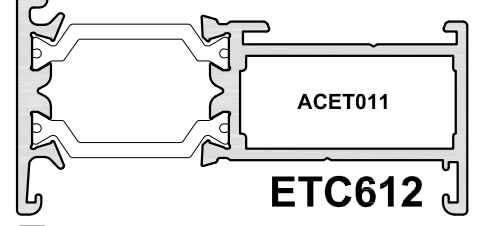
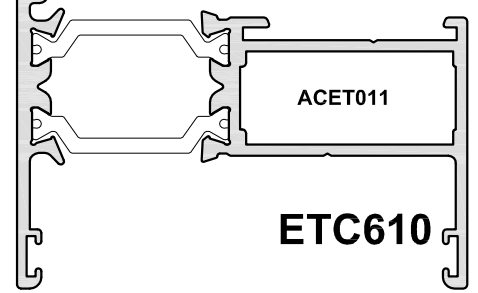


ETC631, ETC633, ETC635
ETC636, ETC638

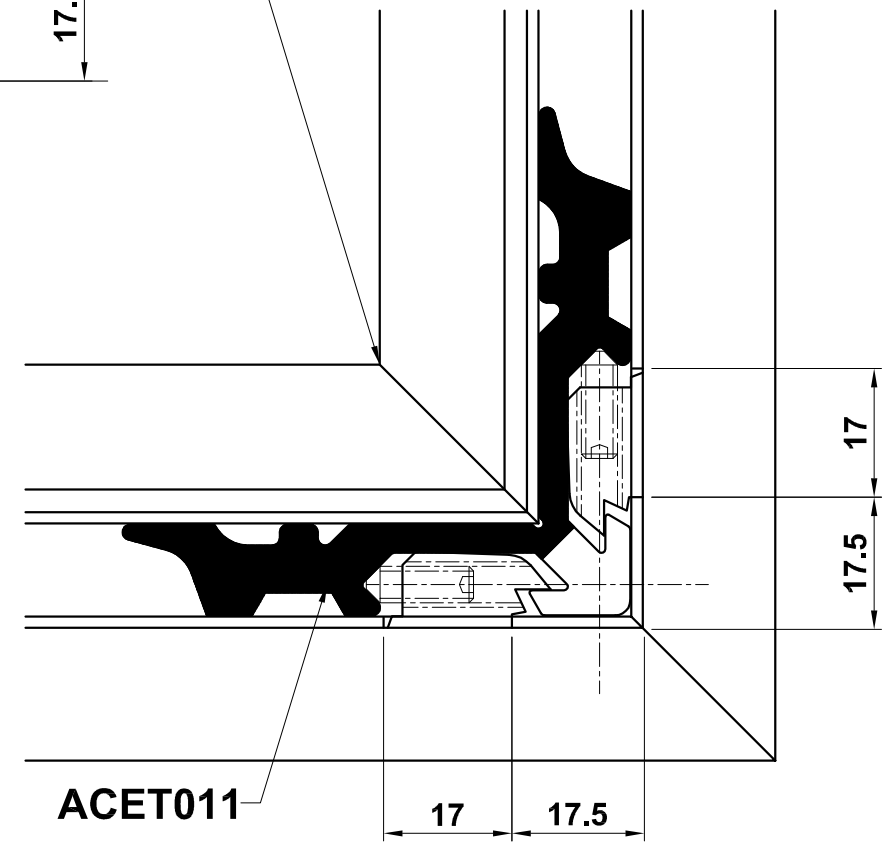


ETC610, ETC611
ETC612, ETC613
ETC614, ETC616
ETC619

Stepped drill ACET907 can be used to drill and countersink simultaneously



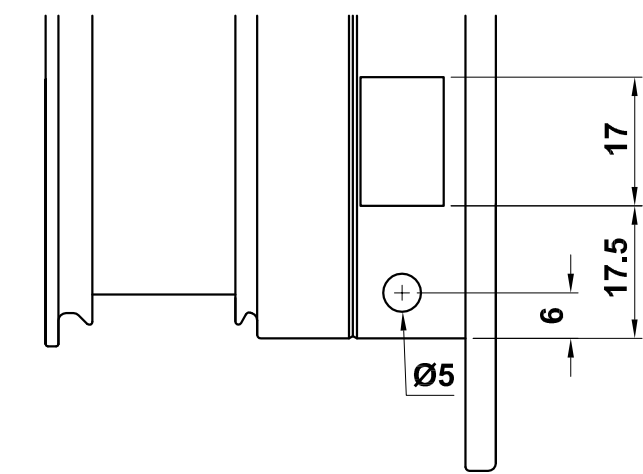
Coat Cut Face of Profile with ACSIL04 Prior to Mechanically Joining



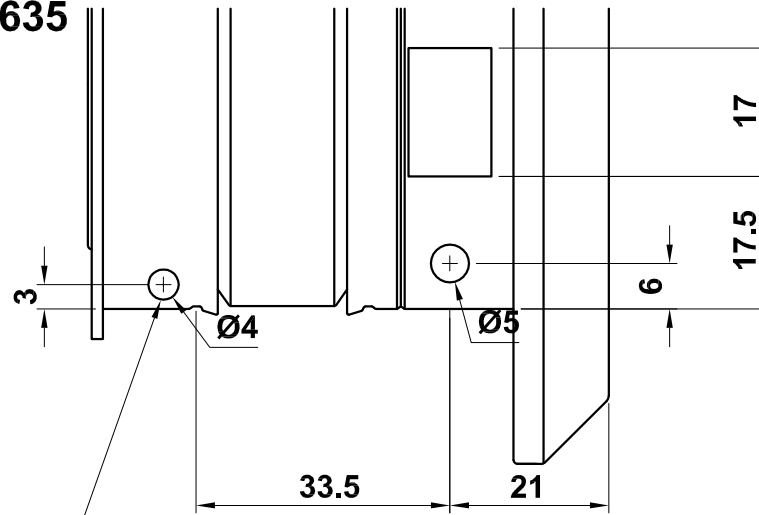
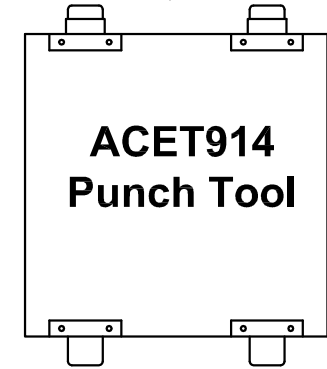
Apply Glue (ACSIL013) to all Cleat Apertures

Do Not Scale From This Drawing

Corner Assembly - Mechanical Cleats

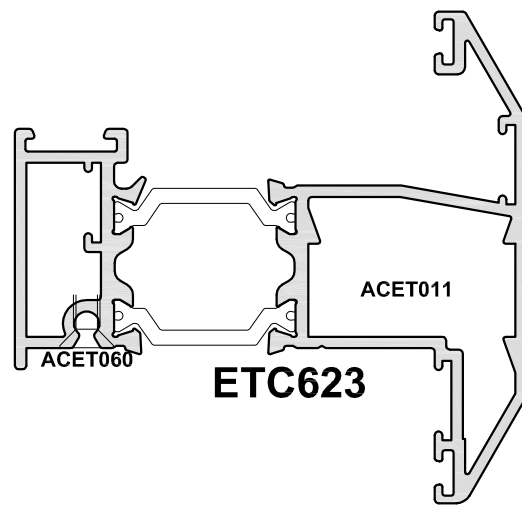
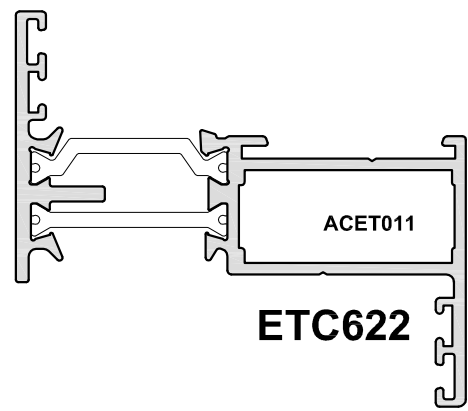
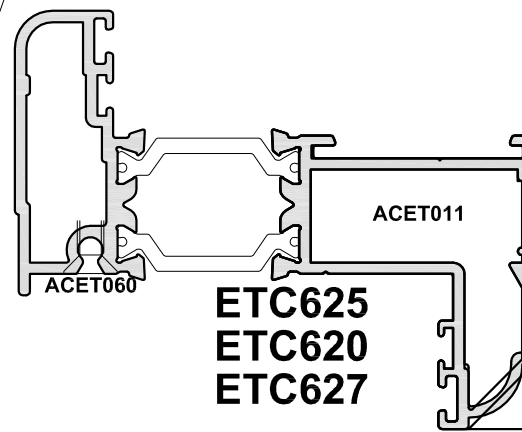


**ETC631, ETC633, ETC635
ETC636, ETC638**

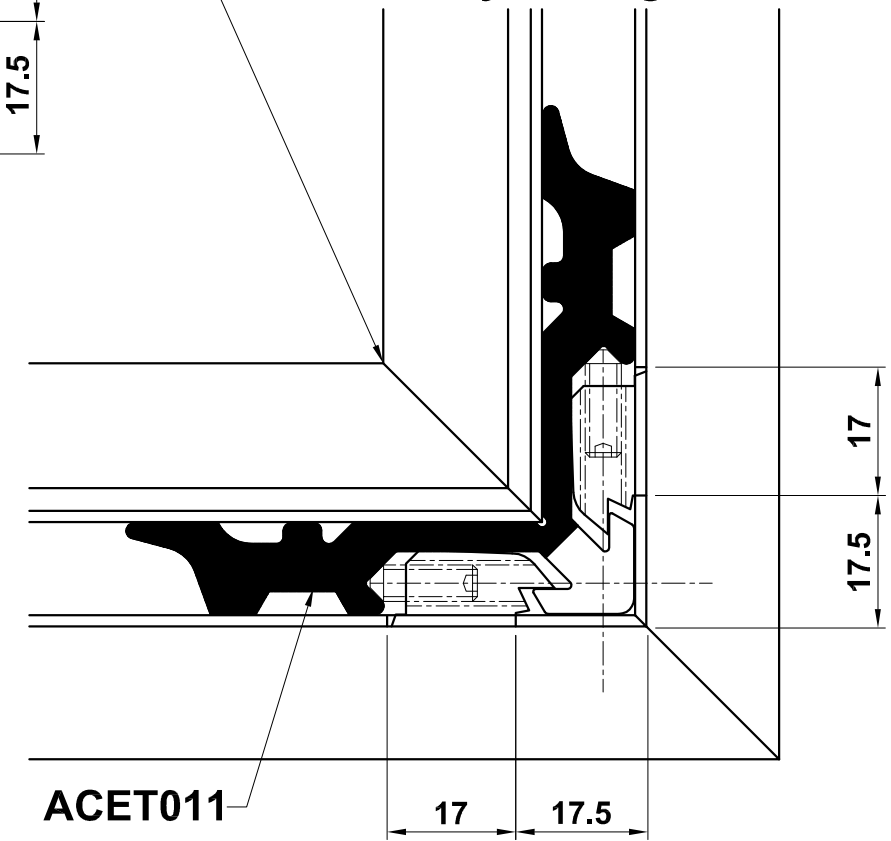


**ETC620, ETC622
ETC623, ETC625
ETC627**

Stepped drill ACET907 can be used to drill and countersink simultaneously



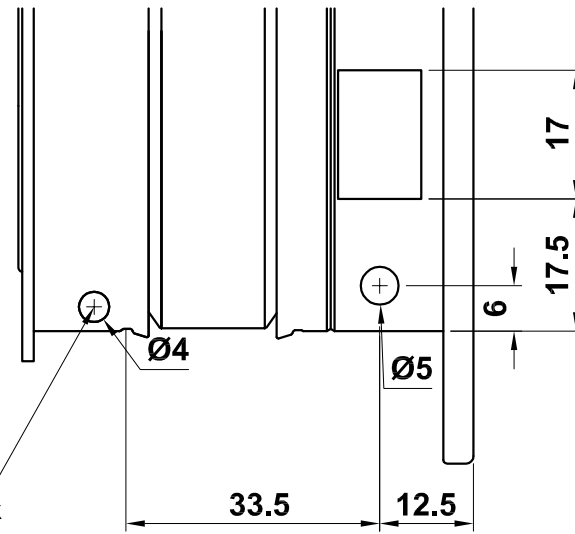
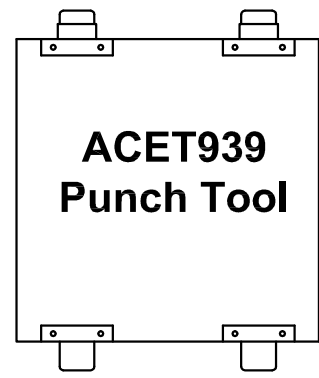
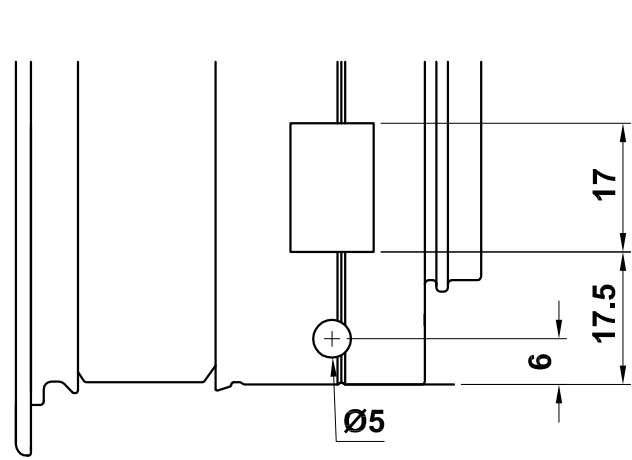
**Coat Cut Face of Profile
with ACSIL04 Prior to
Mechanically Joining**



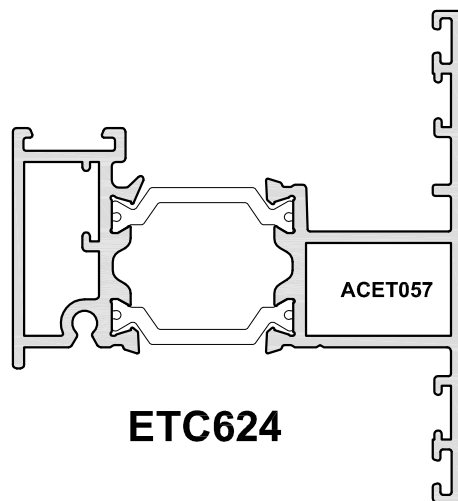
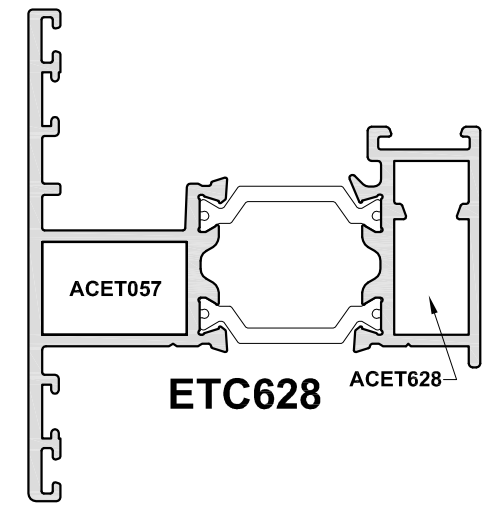
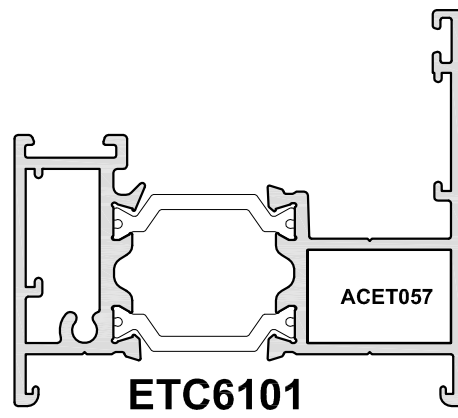
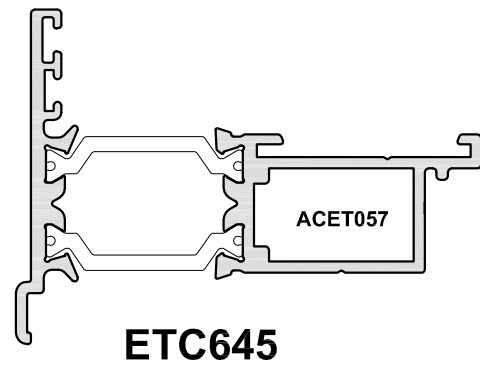
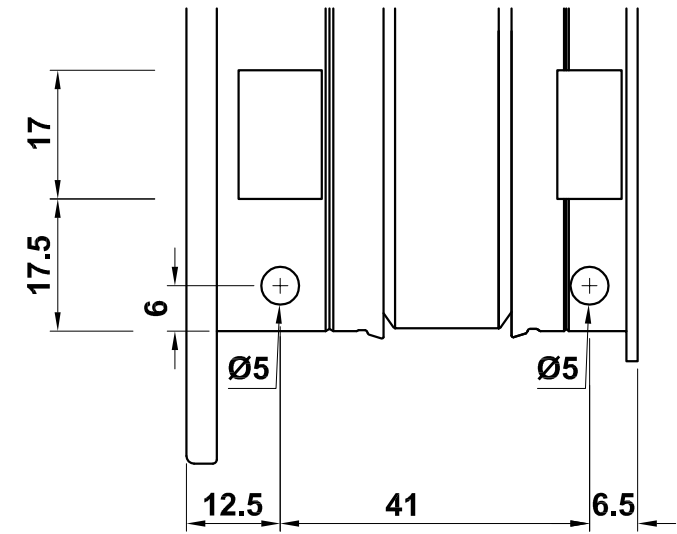
Apply Glue (ACSIL013) to all Cleat Apertures

Do Not Scale From This Drawing

Corner Assembly - Mechanical Cleats



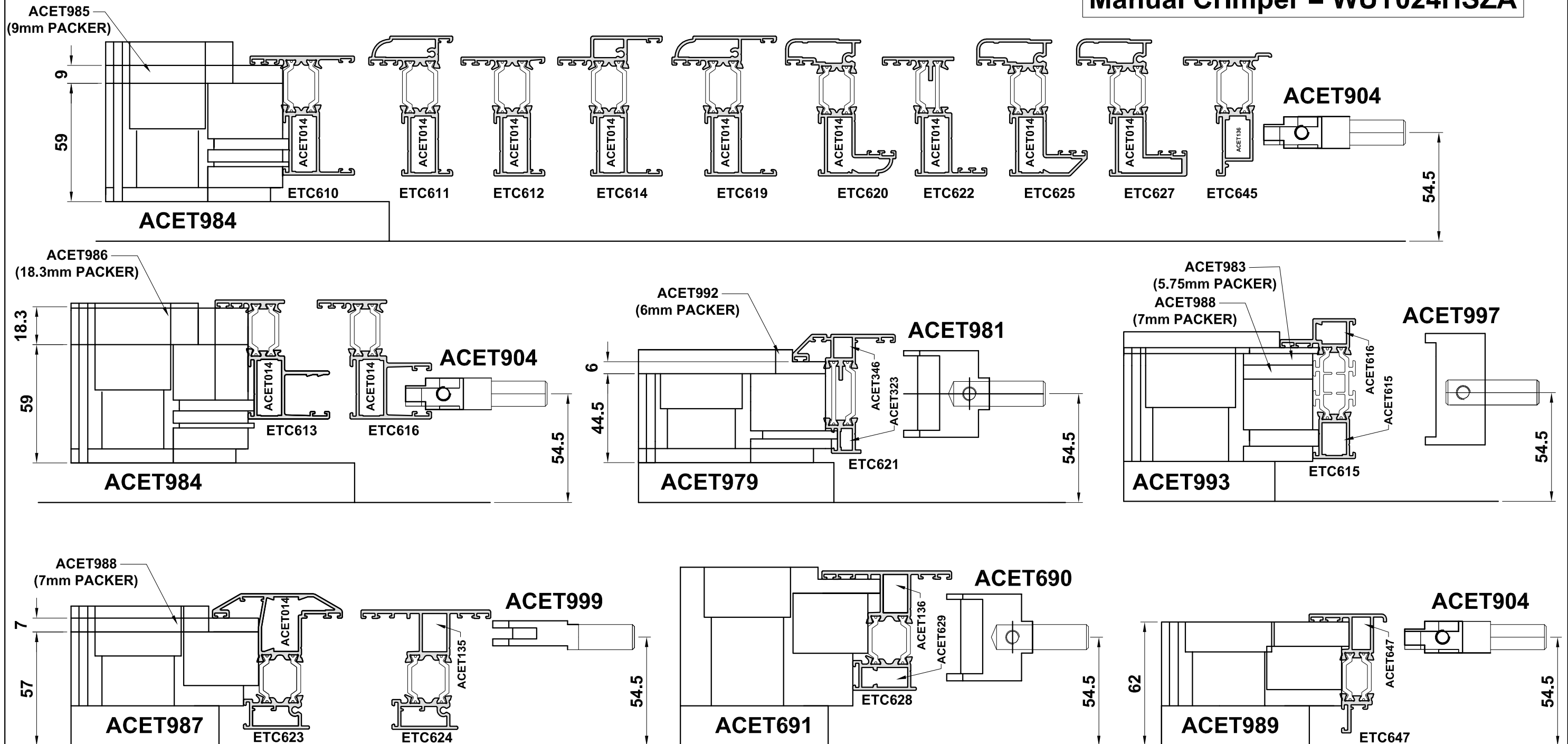
Stepped drill ACET907 can be used to drill and countersink simultaneously



Do Not Scale From This Drawing

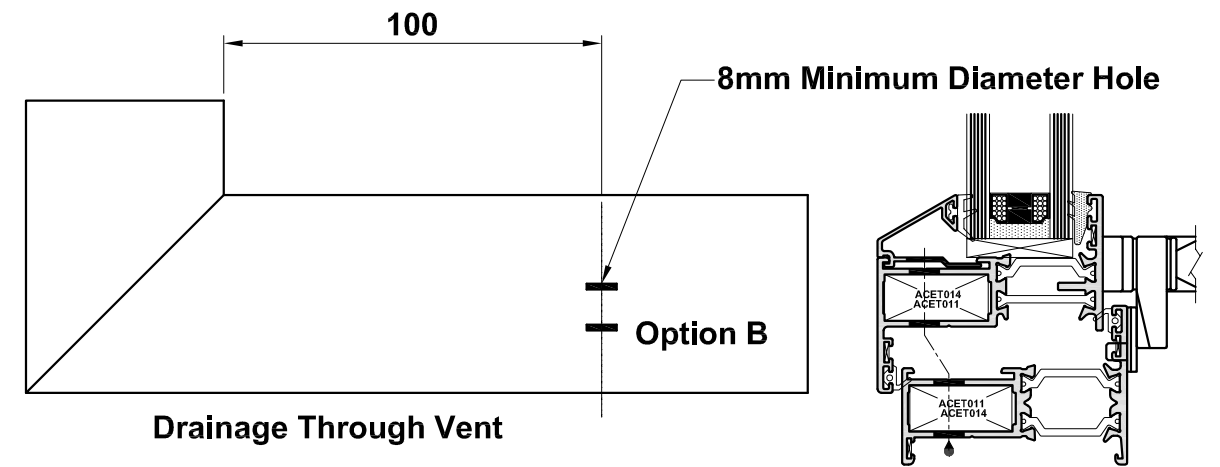
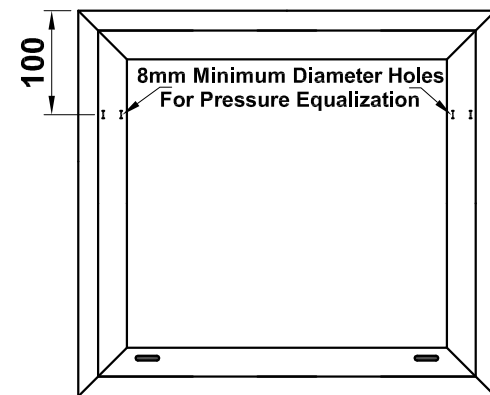
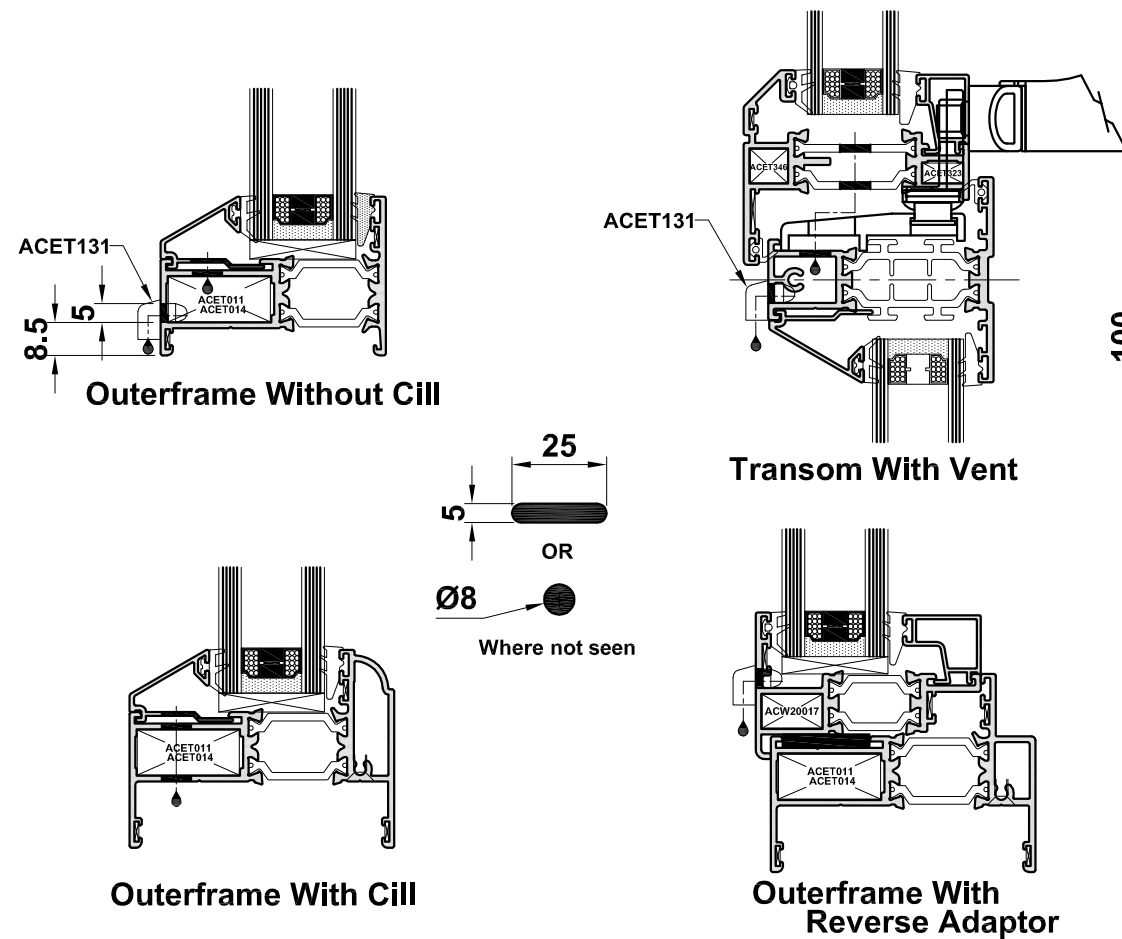
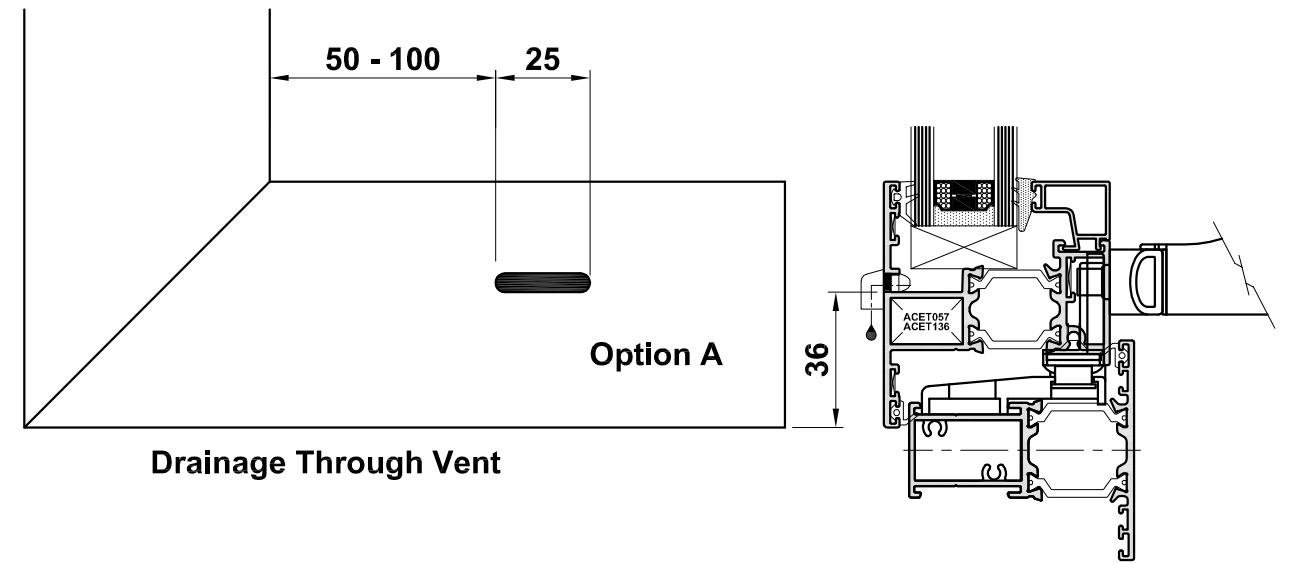
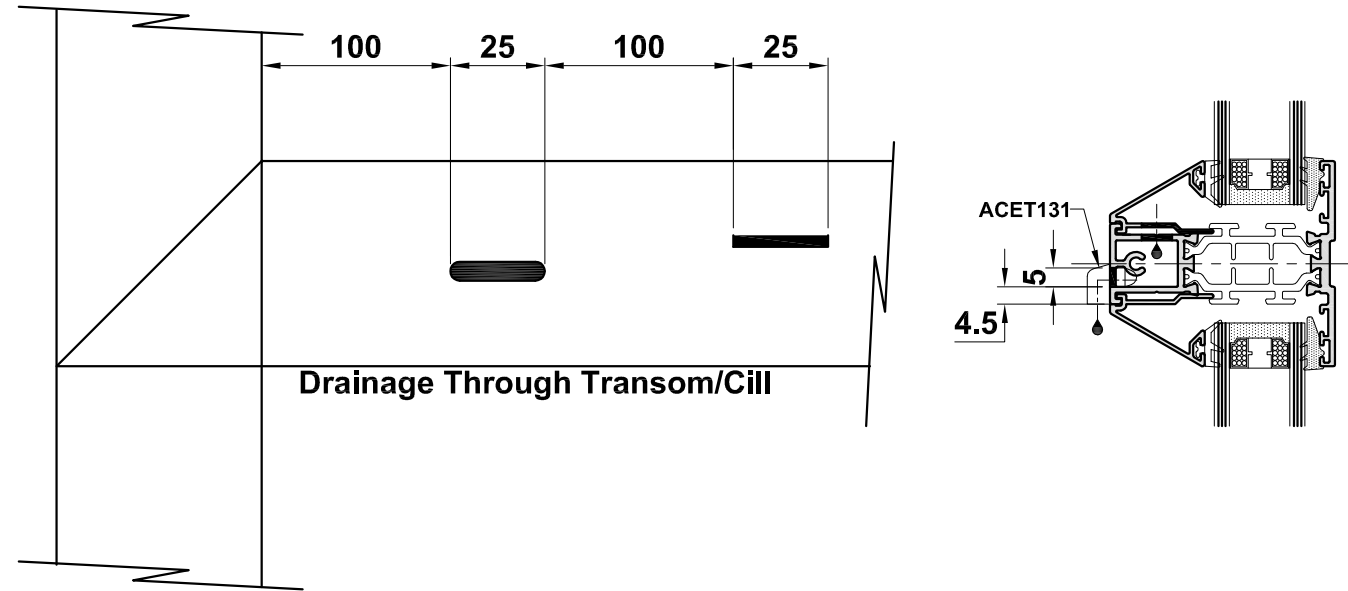
Corner Assembly - Crimping Cleats

Manual Crimper = WUT024HSZA



Do Not Scale From This Drawing

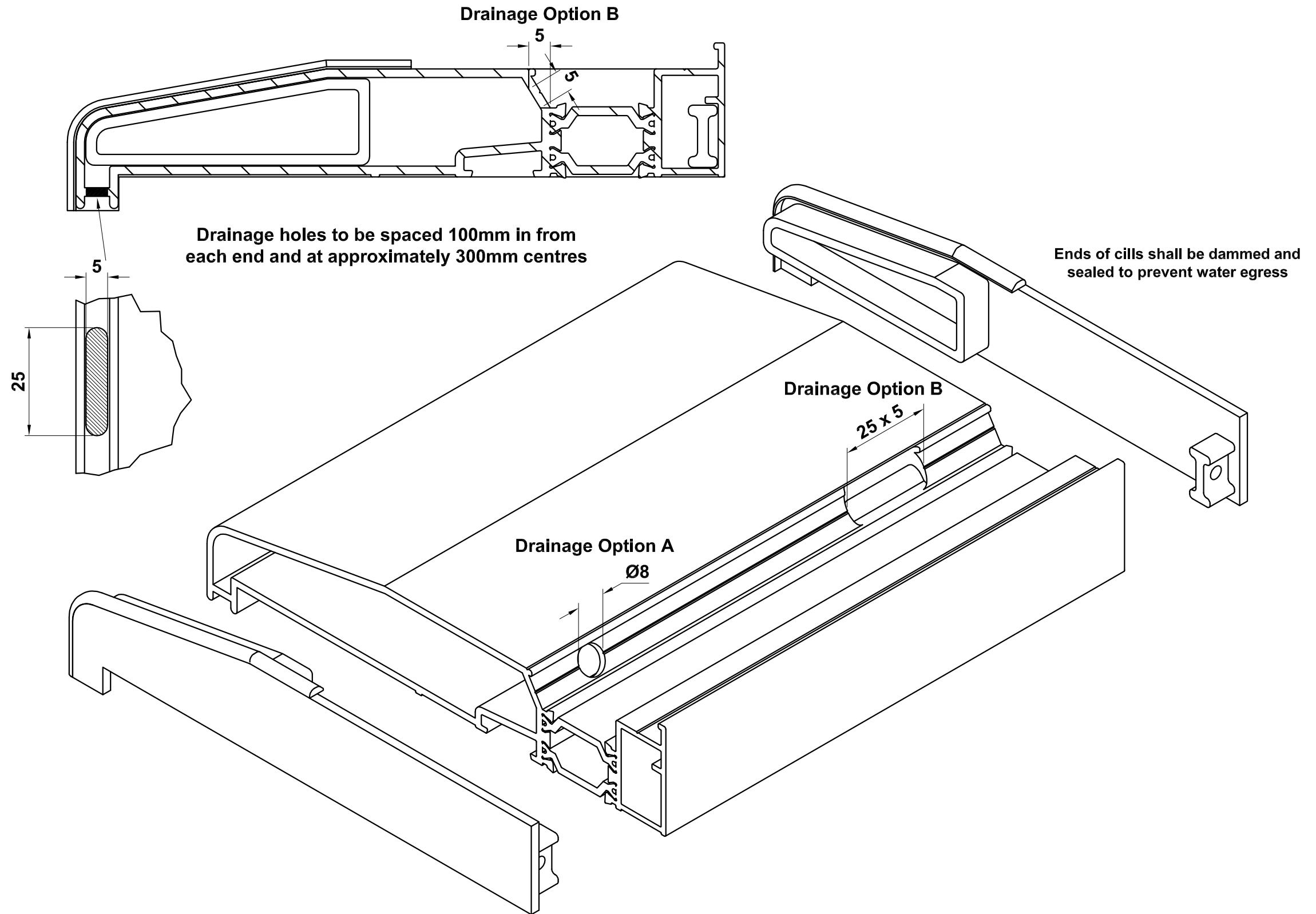
Drainage



Important Note: All exposed aluminium should be coated using ACSIL014 or painted to match the frame.

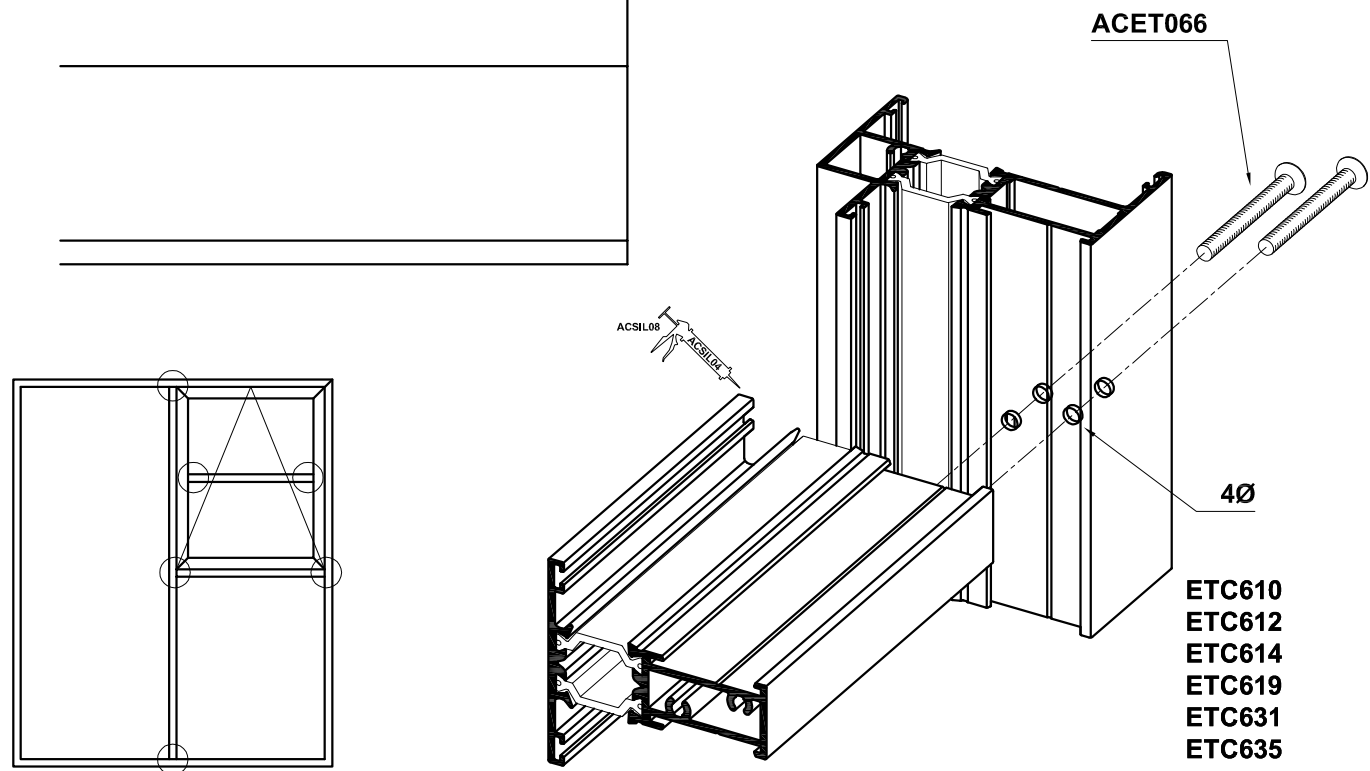
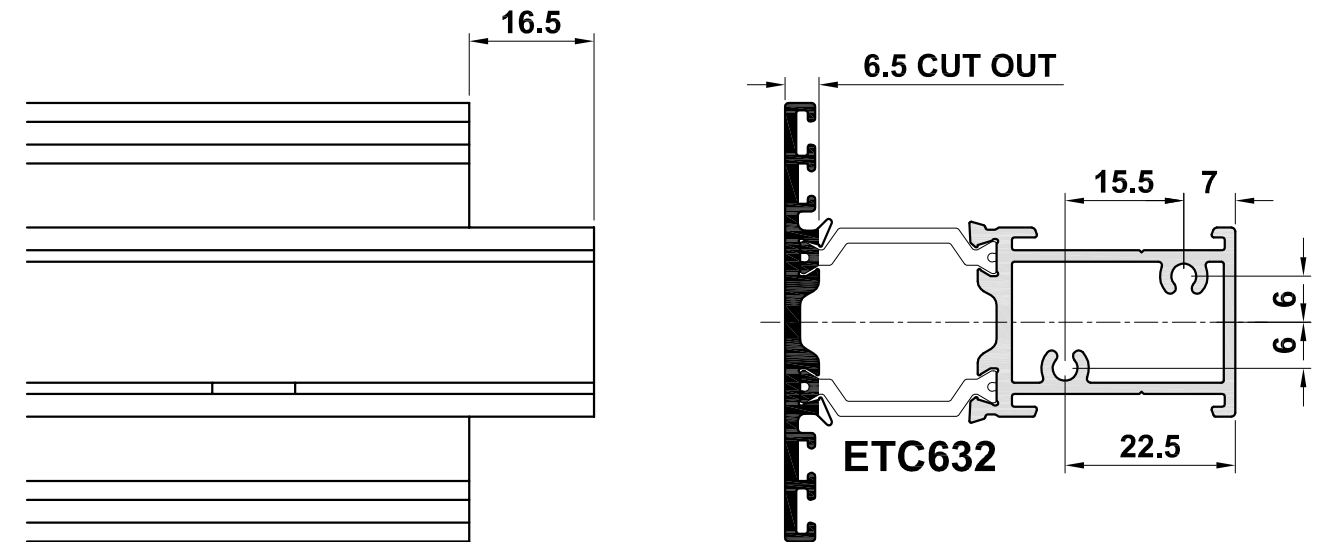
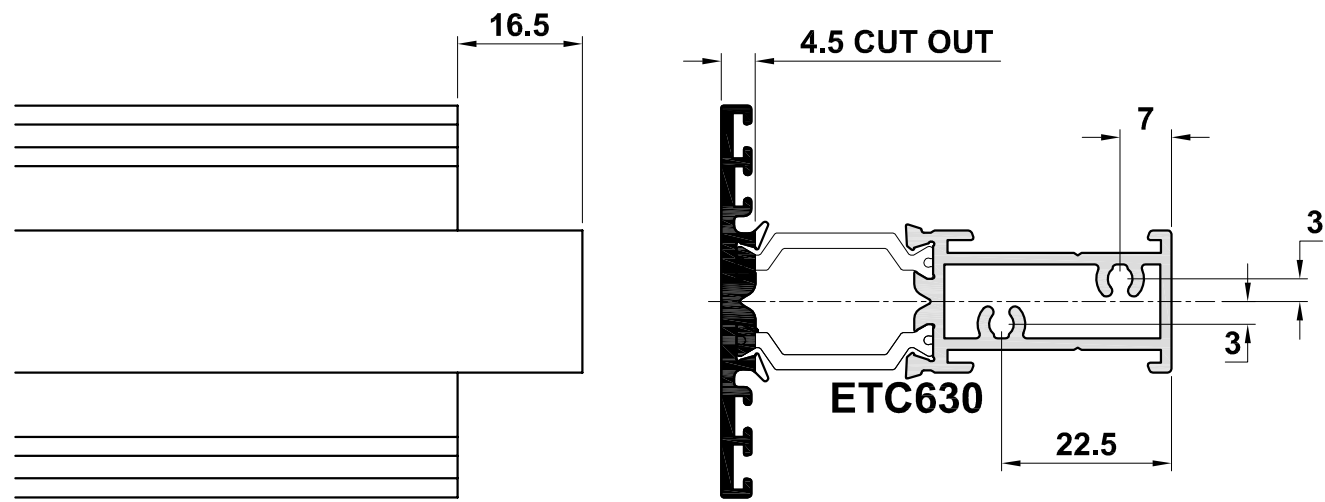
Do Not Scale From This Drawing

Sub Cill Drainage



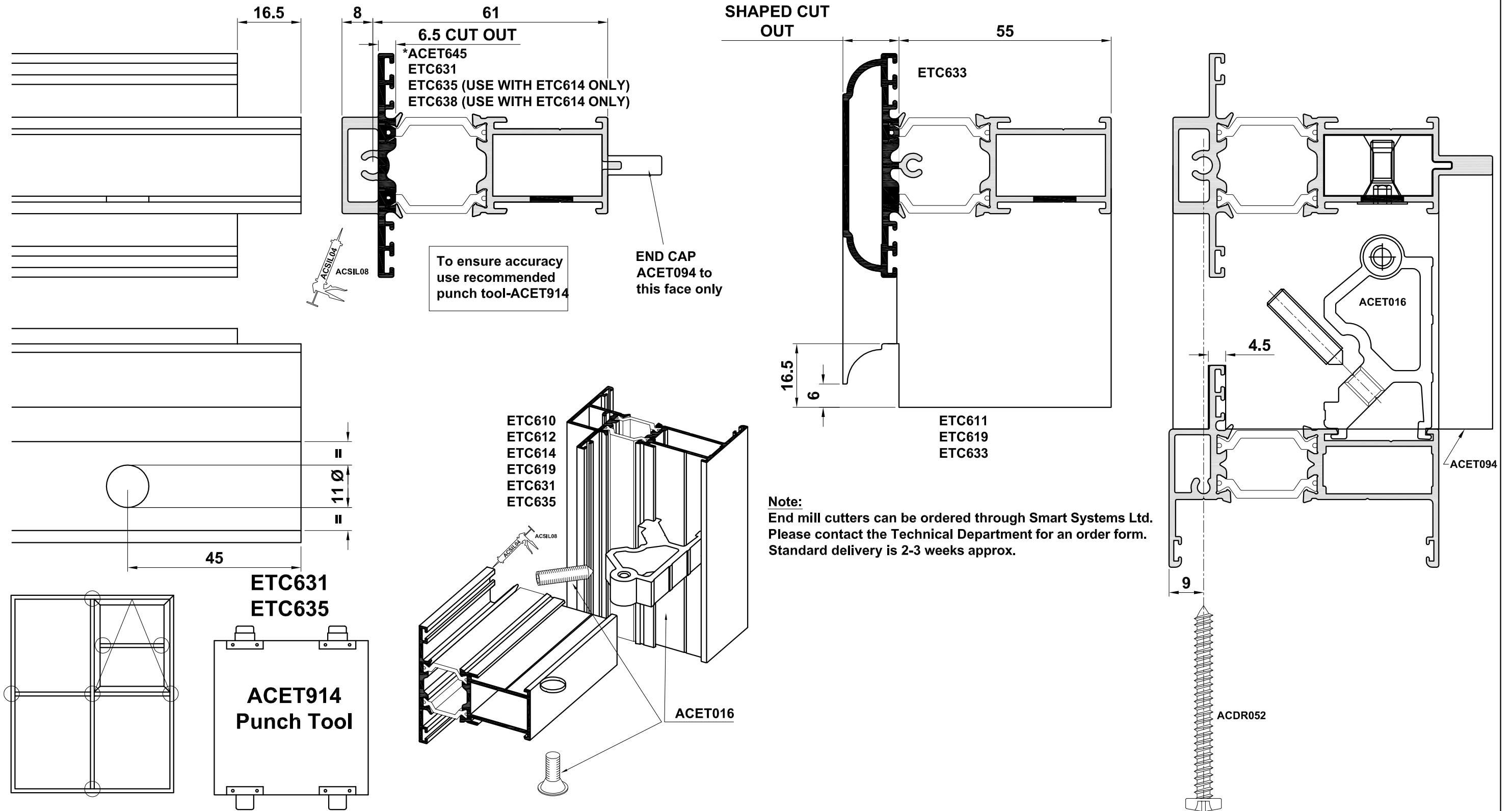
Do Not Scale From This Drawing

Transom/Mullion Preparation



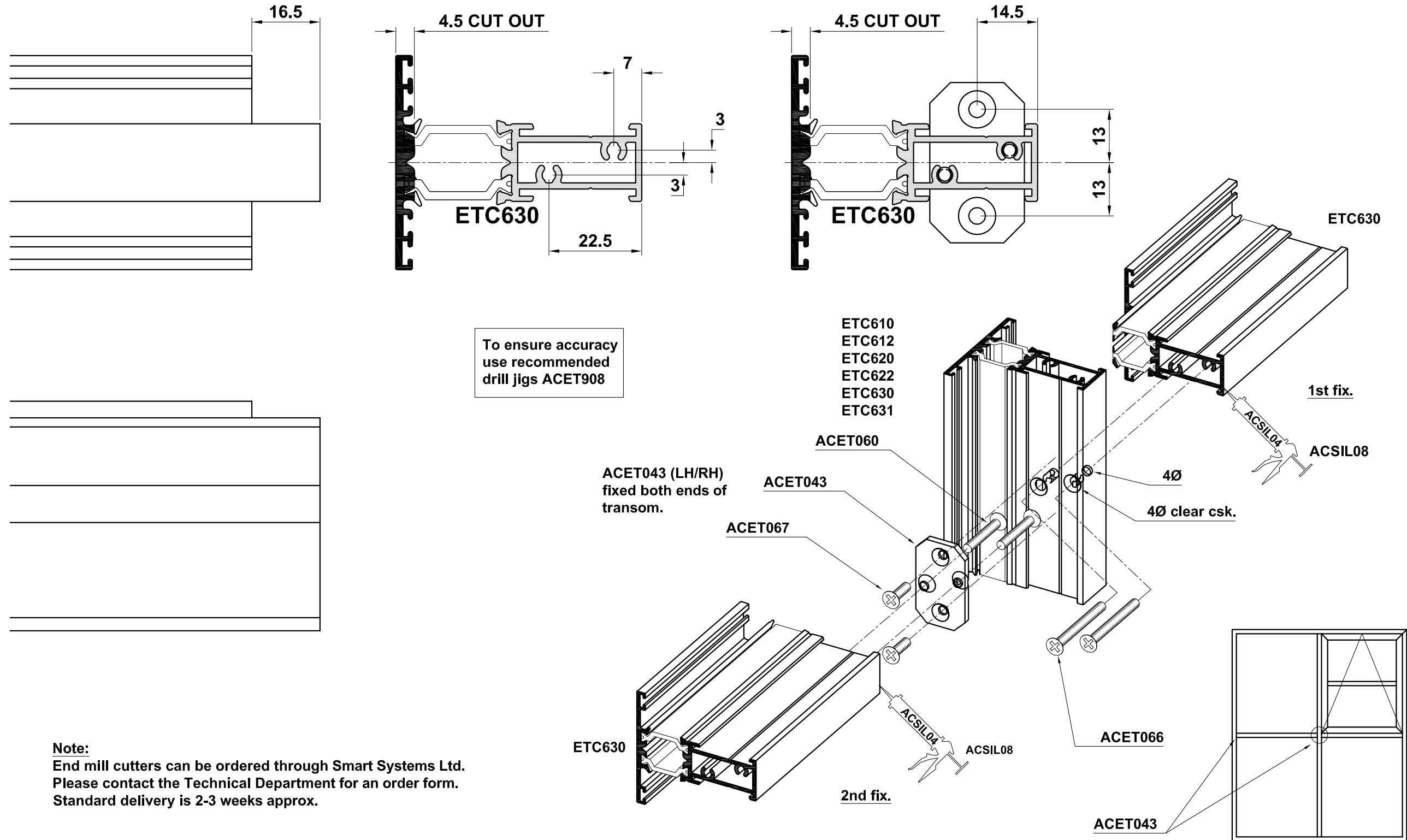
Do Not Scale From This Drawing

Transom/Mullion Preparation



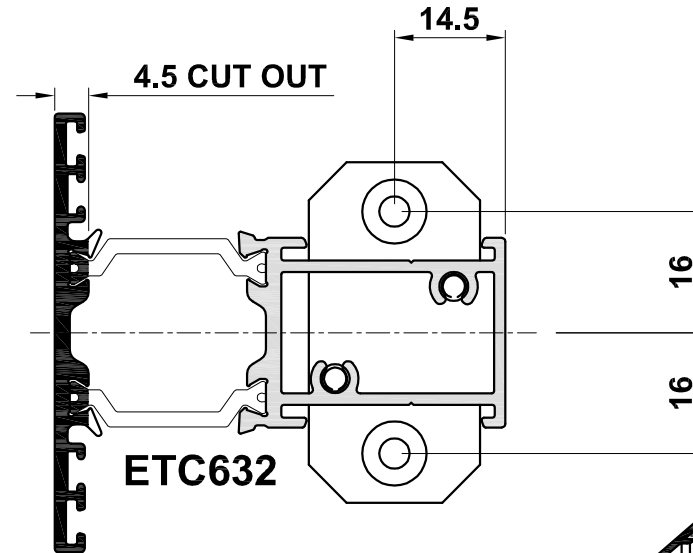
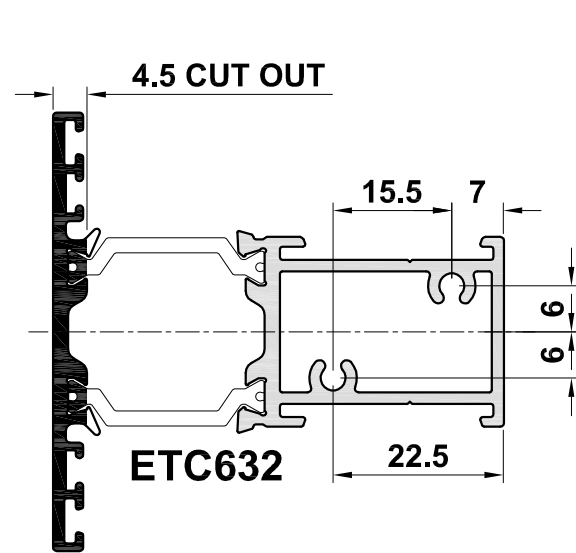
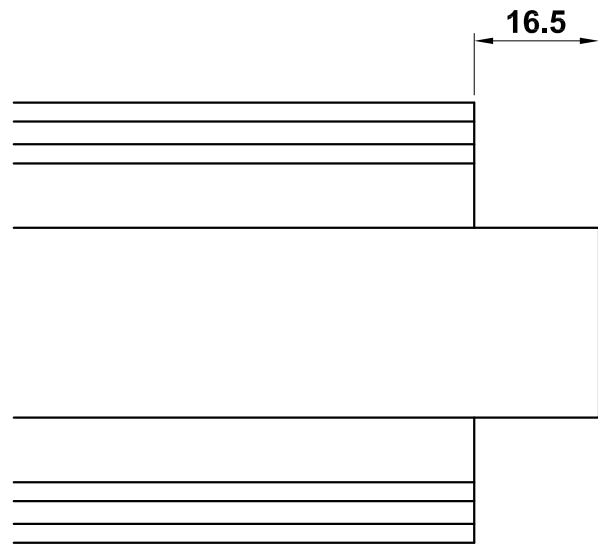
Do Not Scale From This Drawing

Transom/Mullion Preparation



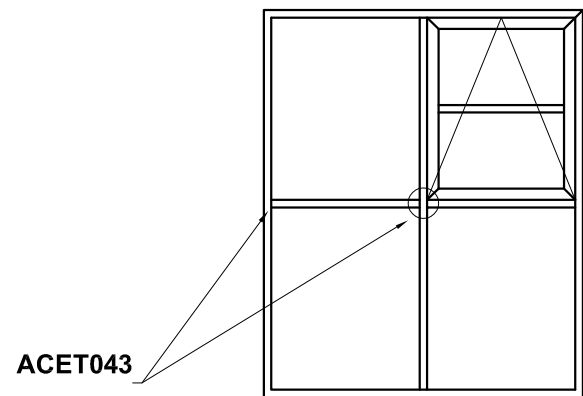
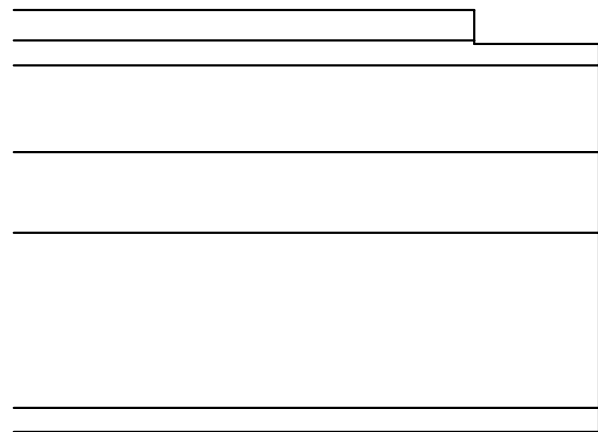
Do Not Scale From This Drawing

Transom/Mullion Preparation

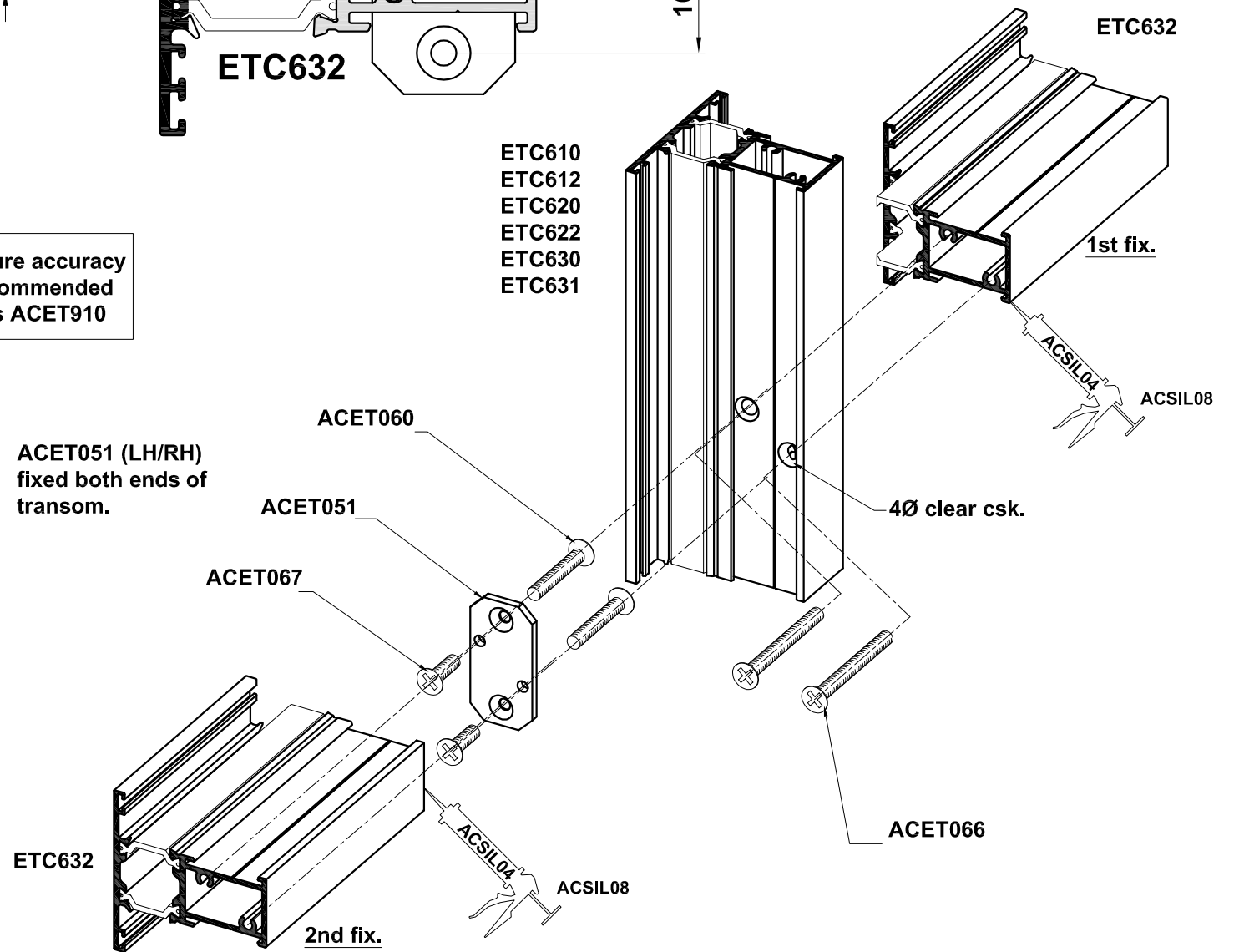


To ensure accuracy
use recommended
drill jigs ACET910

- ETC610
- ETC612
- ETC620
- ETC622
- ETC630
- ETC631

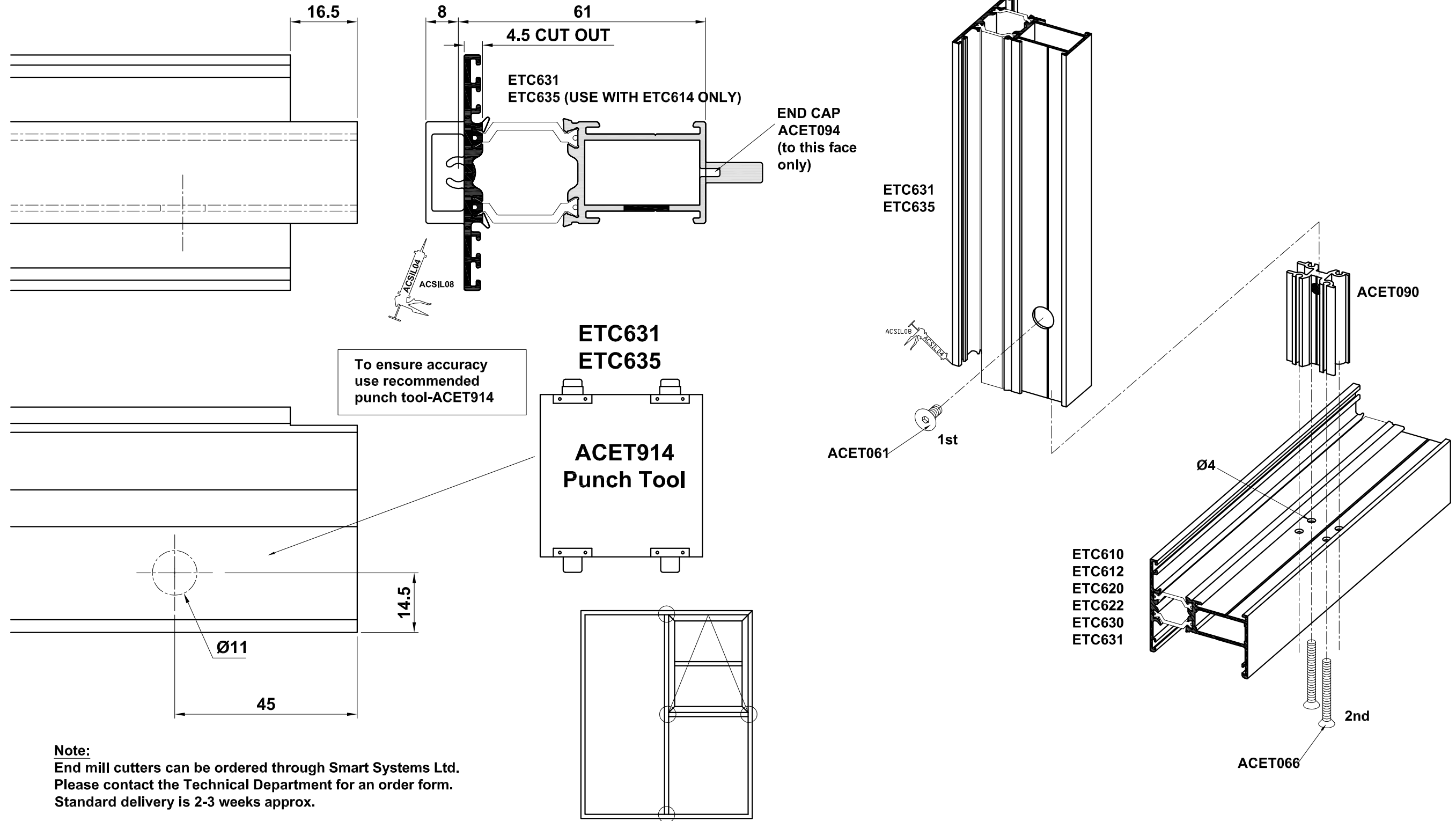


Note:
End mill cutters can be ordered through Smart Systems Ltd.
Please contact the Technical Department for an order form.
Standard delivery is 2-3 weeks approx.



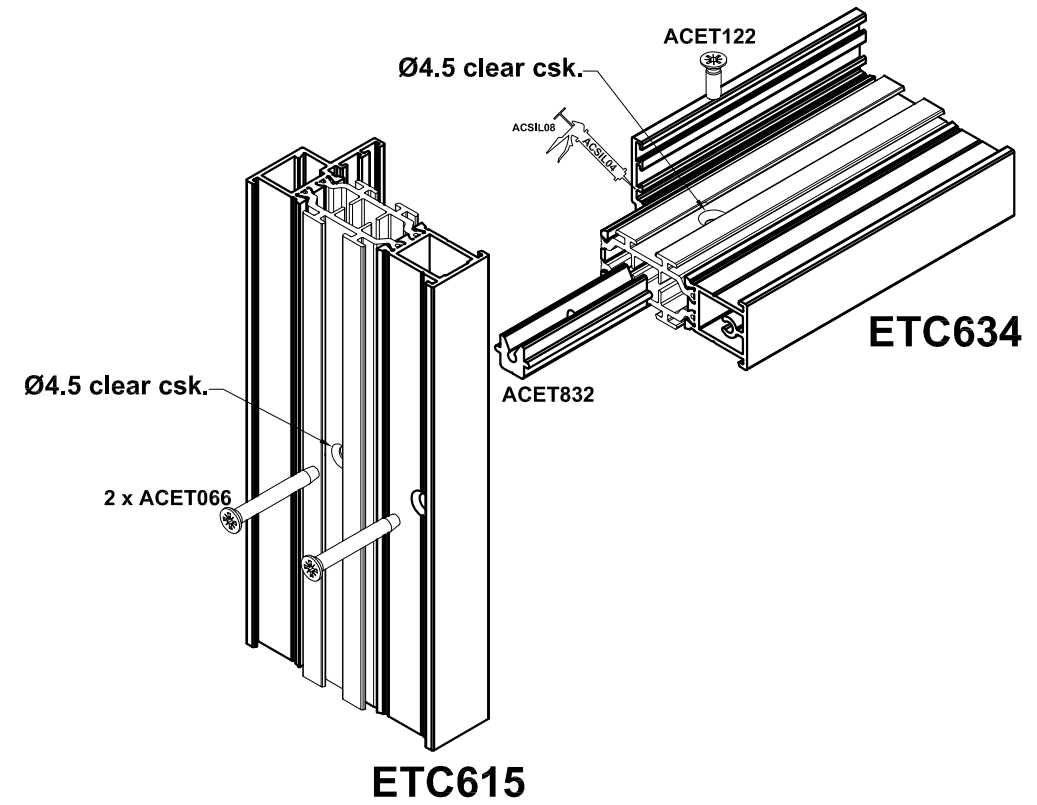
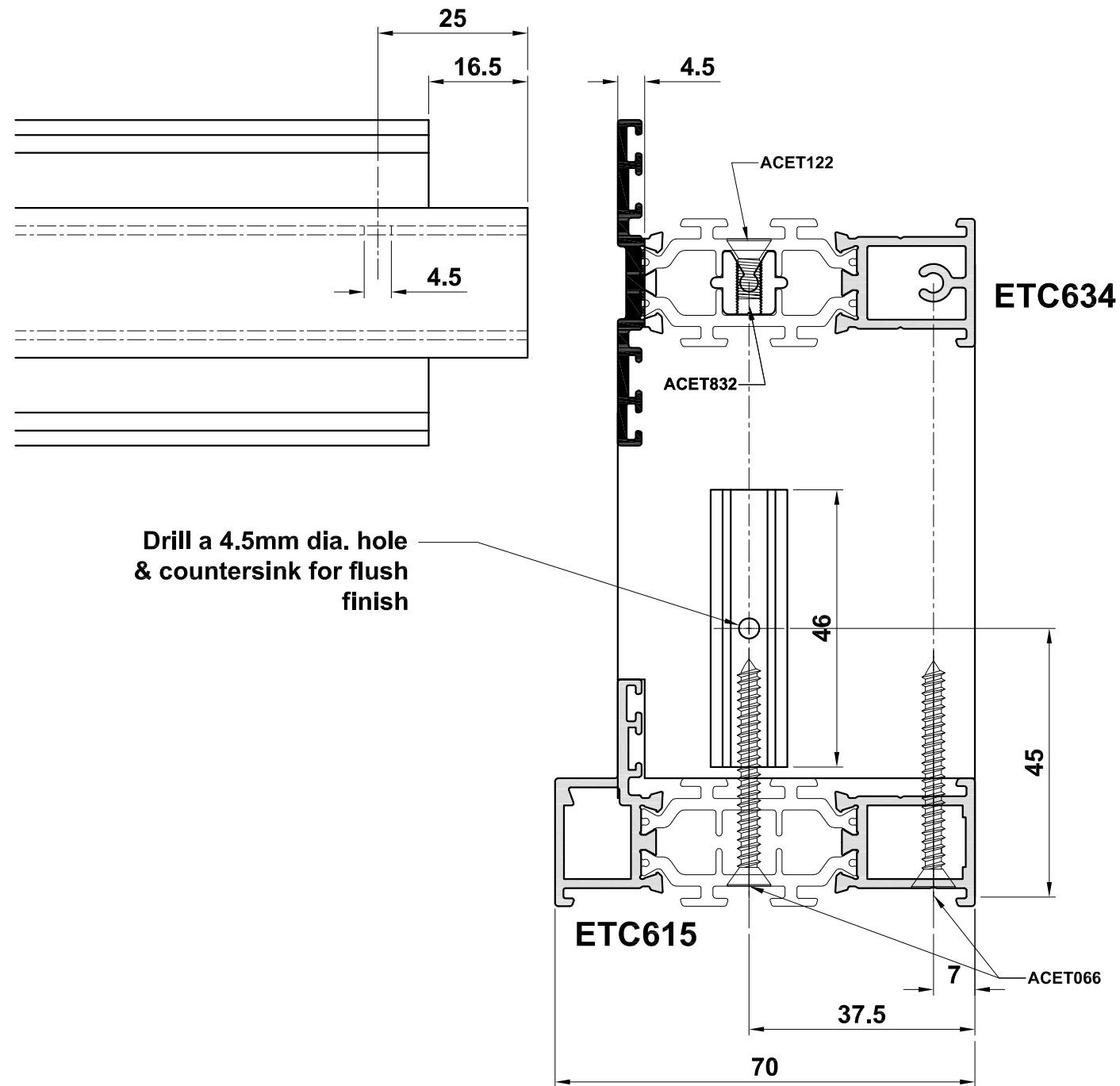
Do Not Scale From This Drawing

Transom/Mullion Preparation



Do Not Scale From This Drawing

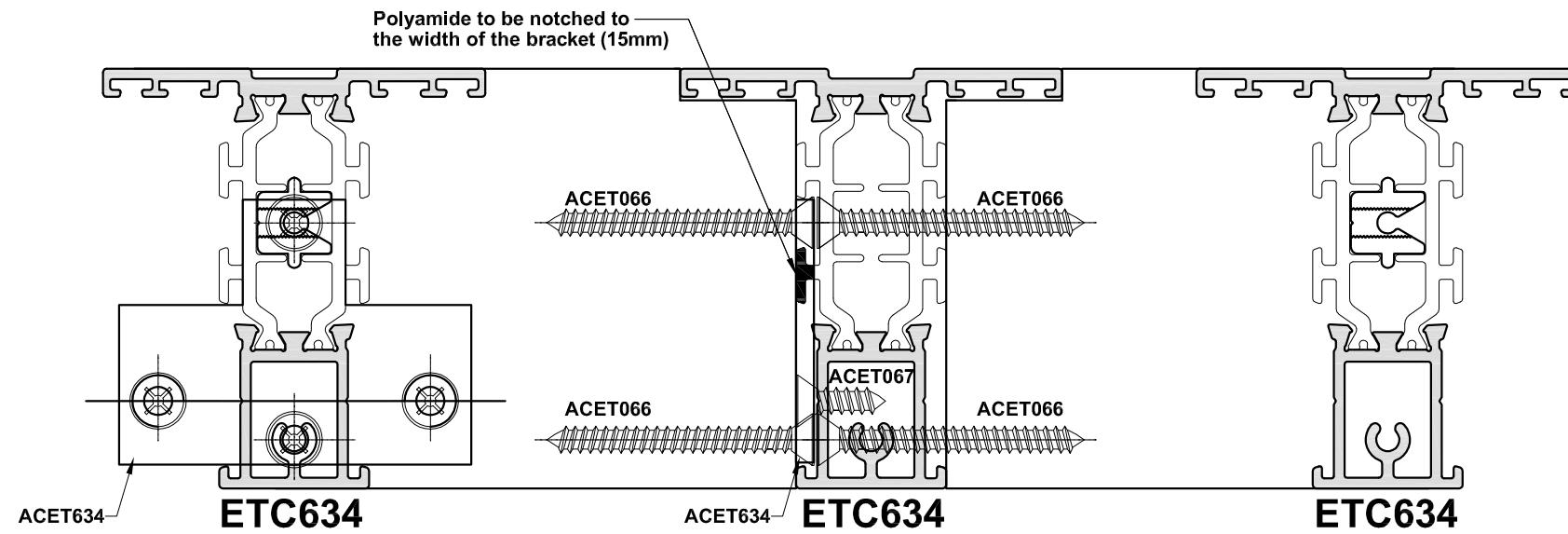
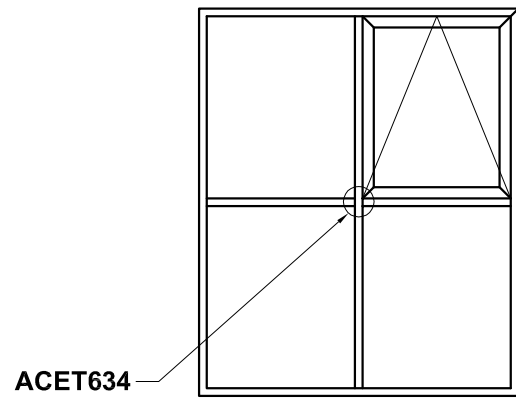
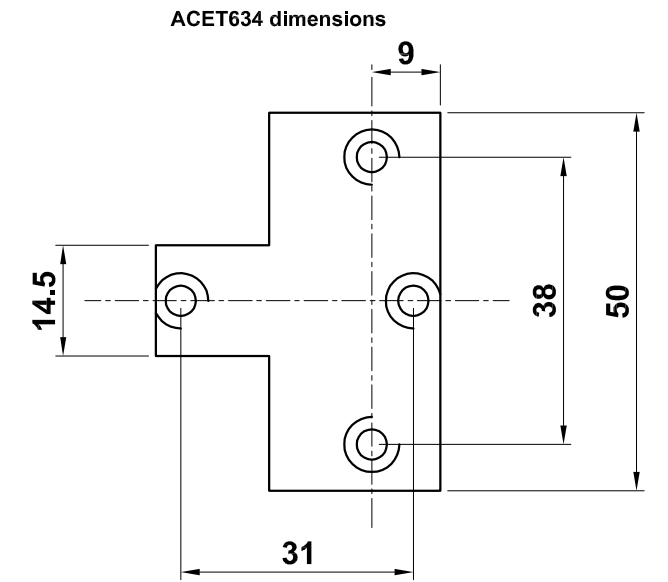
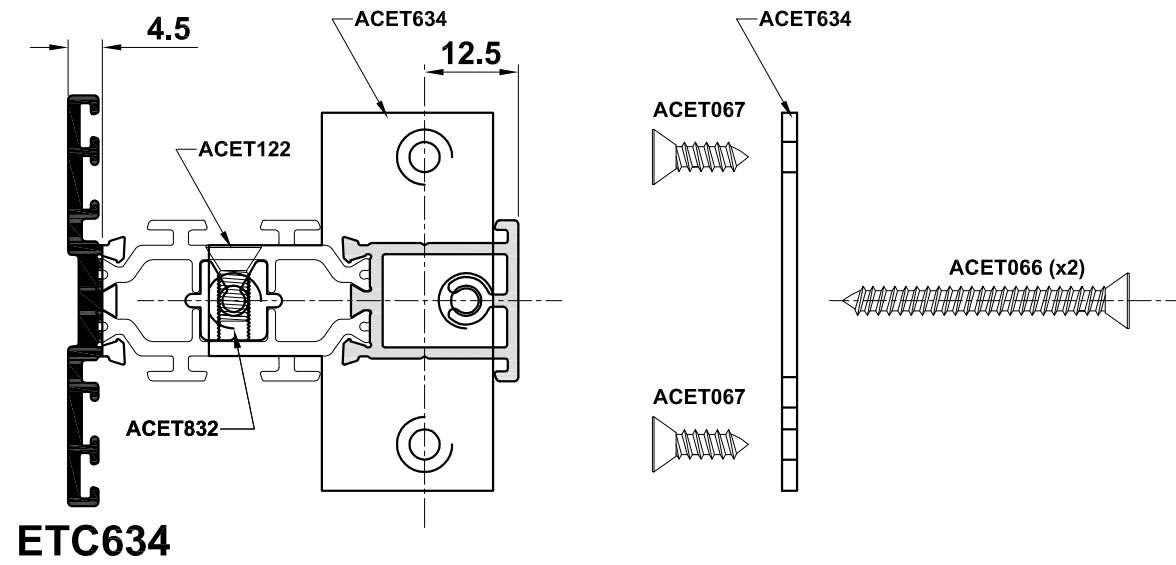
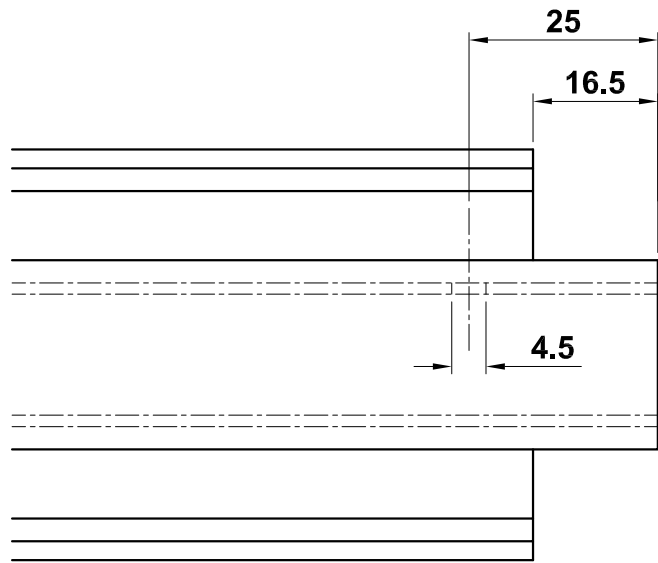
Transom/Mullion Preparation



Note:
End mill cutters can be ordered through Smart Systems Ltd.
Please contact the Technical Department for an order form.
Standard delivery is 2-3 weeks approx.

Do Not Scale From This Drawing

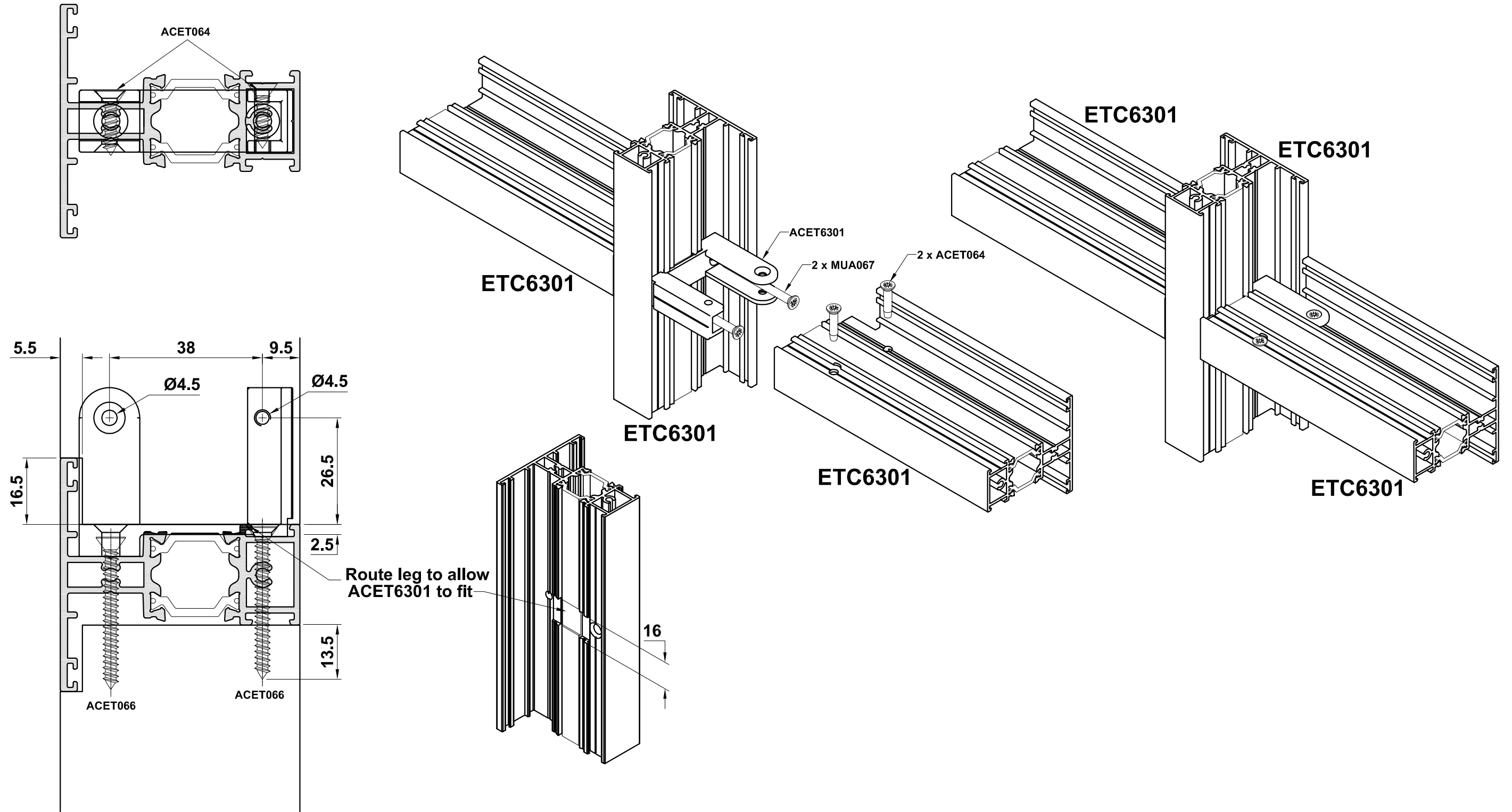
Transom/Mullion Preparation



Note:
End mill cutters can be ordered through Smart Systems Ltd.
Please contact the Technical Department for an order form.
Standard delivery is 2-3 weeks approx.

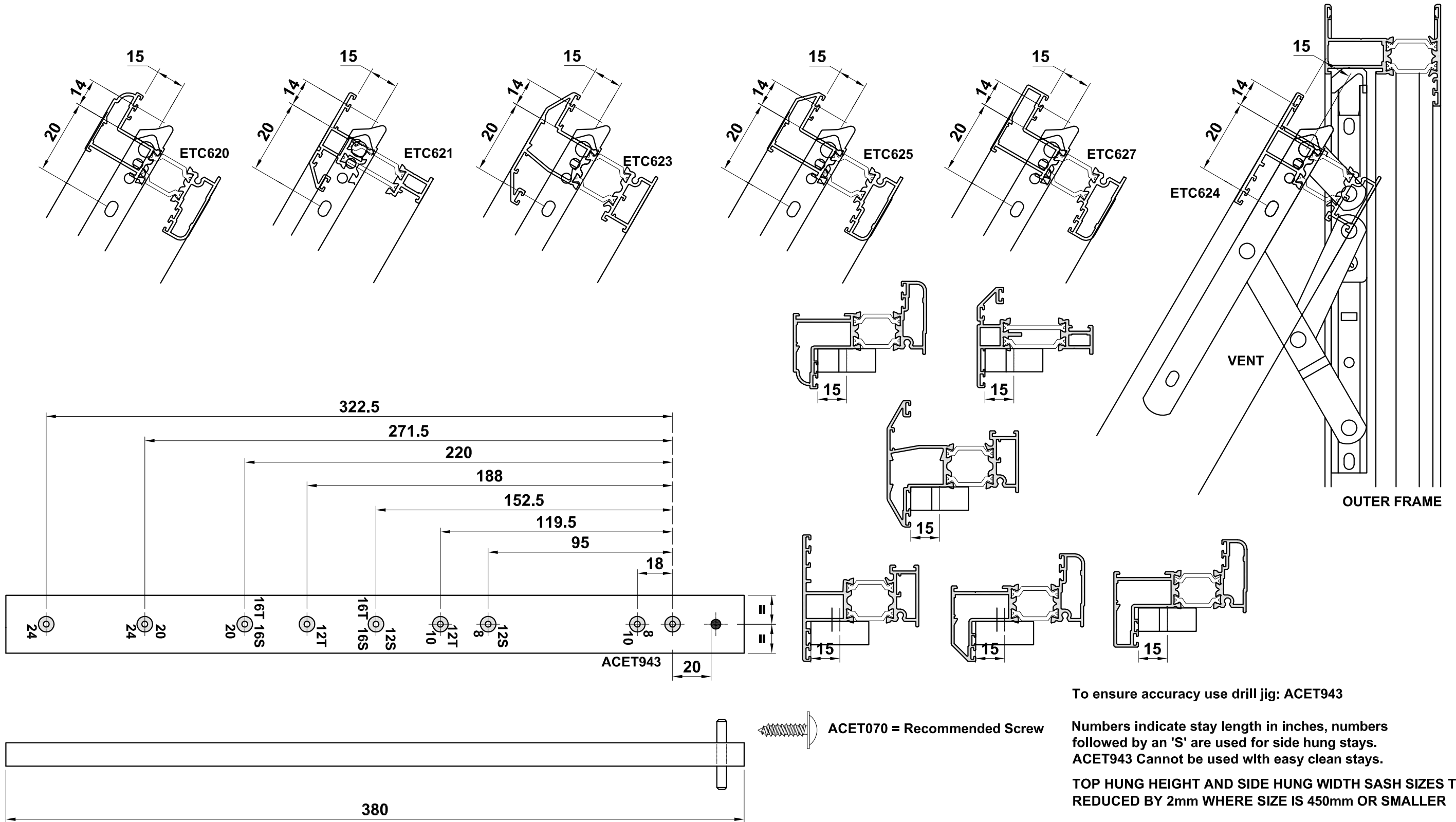
Do Not Scale From This Drawing

ETC6301 Transom/Mullion Preparation



Do Not Scale From This Drawing

16mm Stack Height Friction Hinge Details



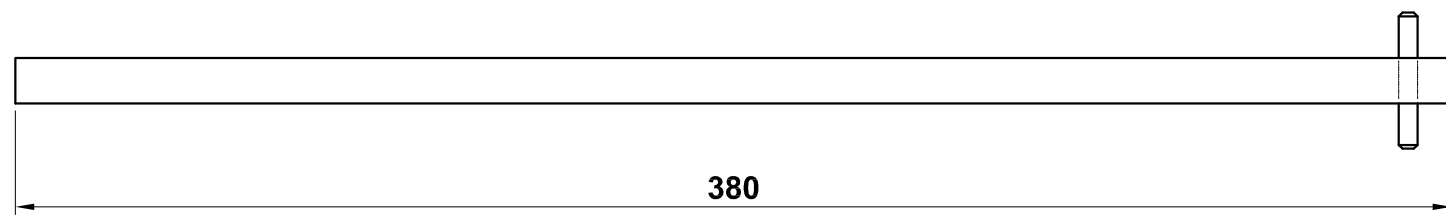
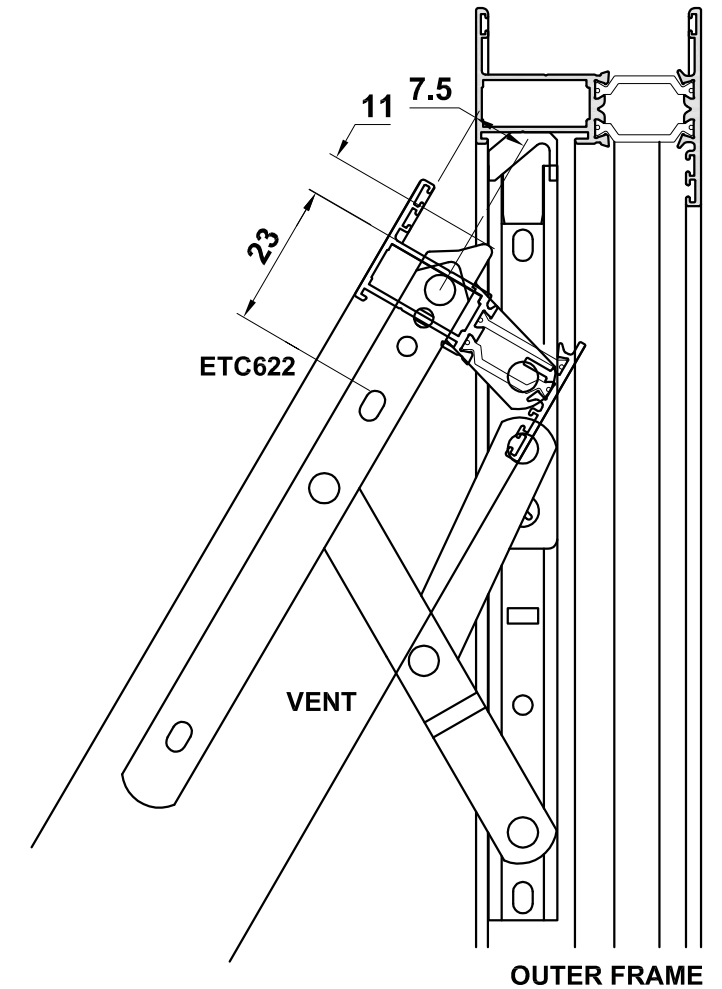
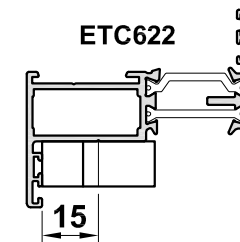
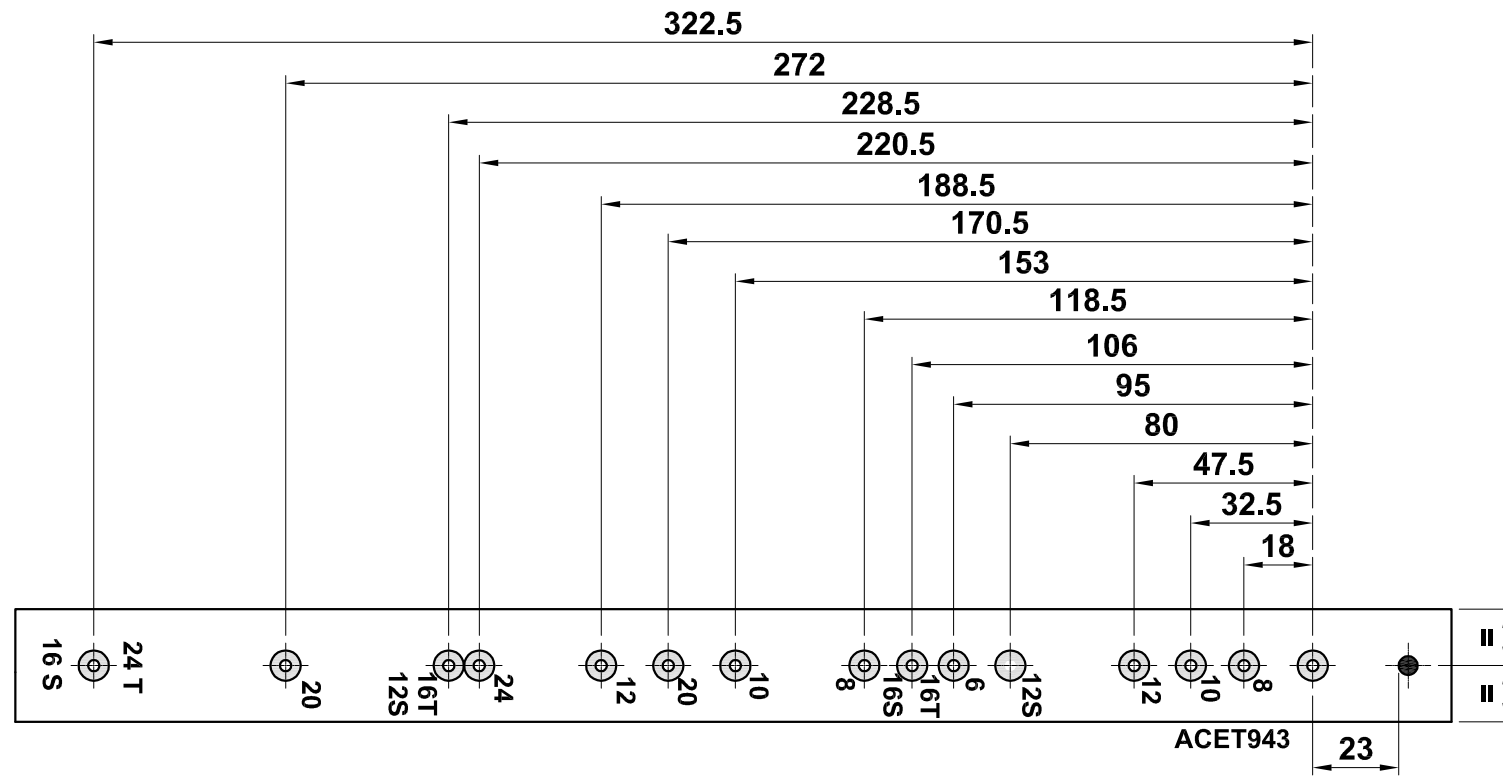
To ensure accuracy use drill jig: ACET943

Numbers indicate stay length in inches, numbers followed by an 'S' are used for side hung stays. ACET943 Cannot be used with easy clean stays.

TOP HUNG HEIGHT AND SIDE HUNG WIDTH SASH SIZES TO BE REDUCED BY 2mm WHERE SIZE IS 450mm OR SMALLER

Do Not Scale From This Drawing

13mm Stack Height Friction Hinge Details



ACET070 = Recommended Screw

To ensure accuracy use drill jig:
Top Hung Vents ACET944

Numbers indicate stay length in inches, numbers followed by an 'S' are used for side hung stays.

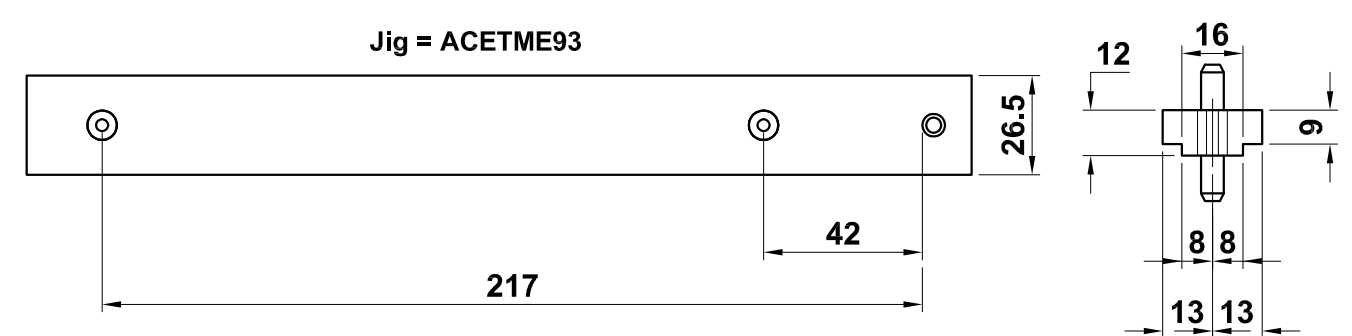
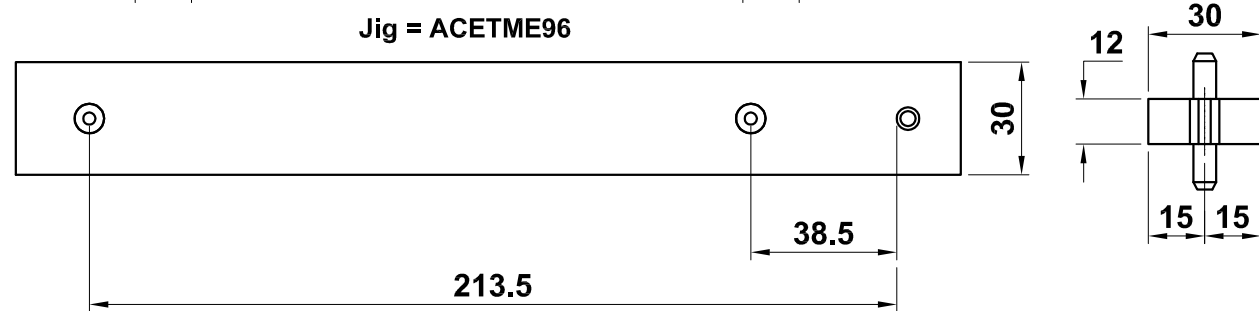
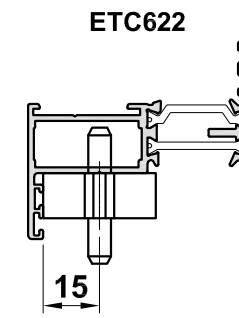
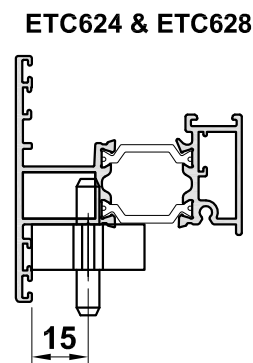
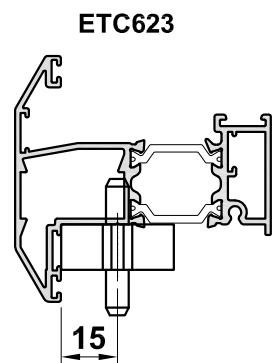
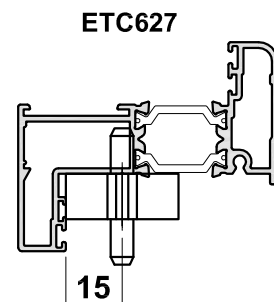
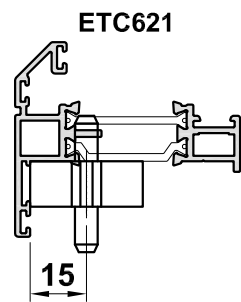
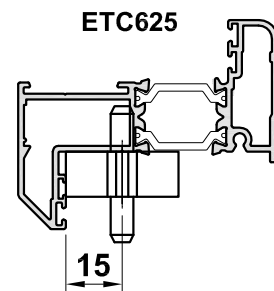
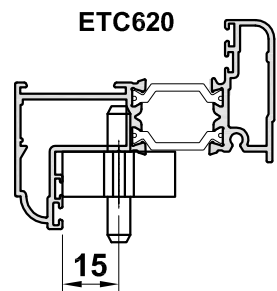
TOP HUNG HEIGHT AND SIDE HUNG WIDTH SASH SIZES TO BE REDUCED BY 2mm WHERE SIZE IS 450mm OR SMALLER

Do Not Scale From This Drawing

Easy Clean Friction Hinge Details

16mm Stack

13mm Stack



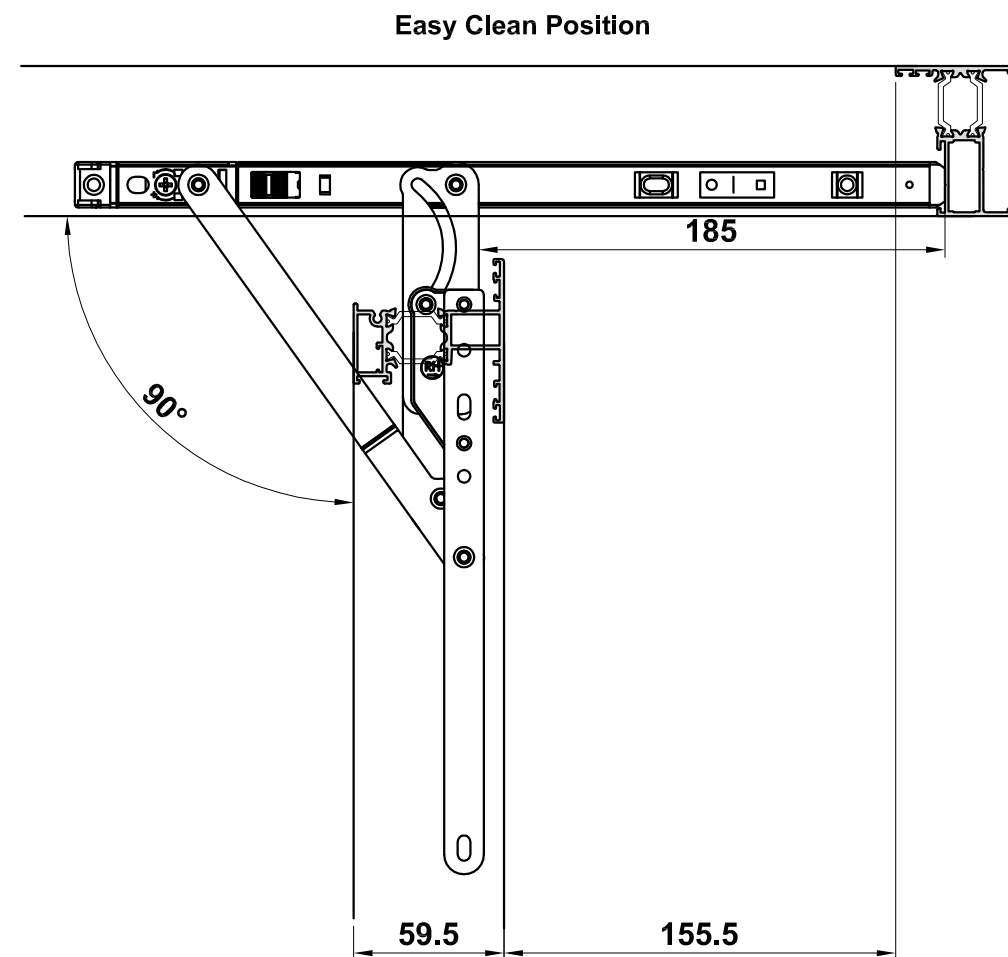
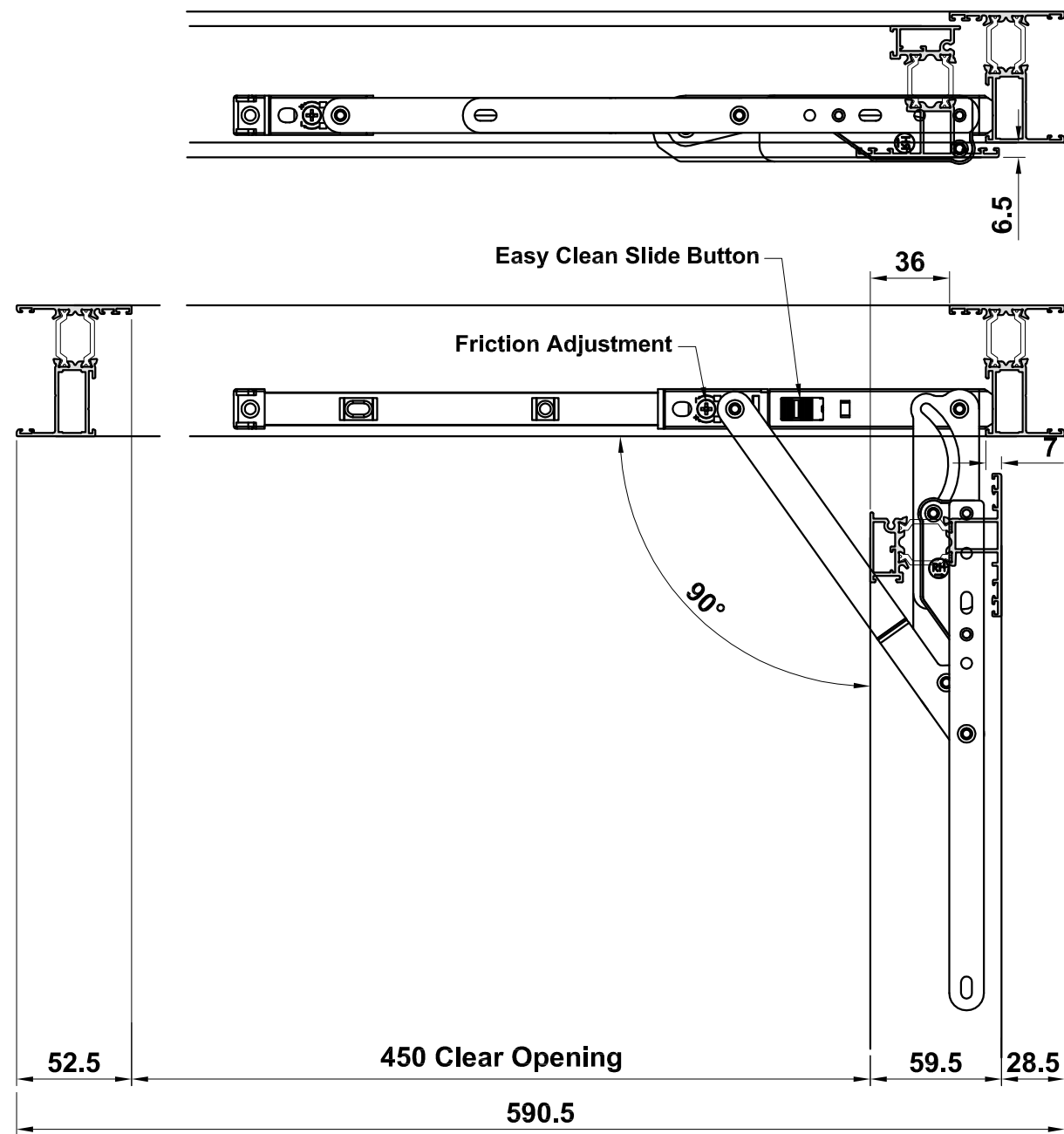
Note: ACETME96 Jig is not compatible with ETC622 or ETC122.
Use ACETME93 to mark the hole positions in the vee groove.

**Vent Sizes 450mm or Smaller
to be Reduced by 2mm**

Do Not Scale From This Drawing

Easy Clean Friction Hinge Details

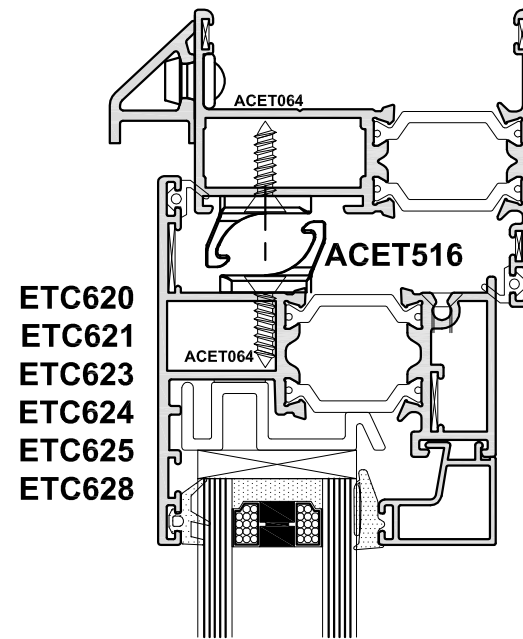
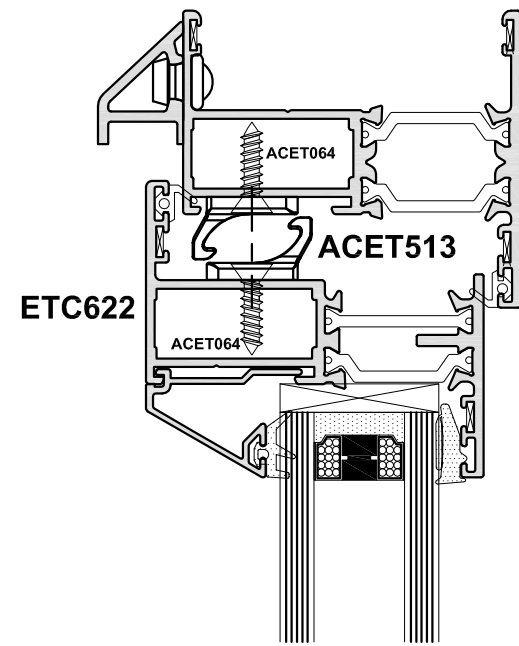
Example Opening Detail



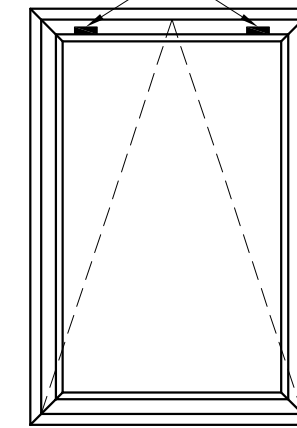
For further information regarding clear openings, please see
the Smart Systems' White Paper Document B

Do Not Scale From This Drawing

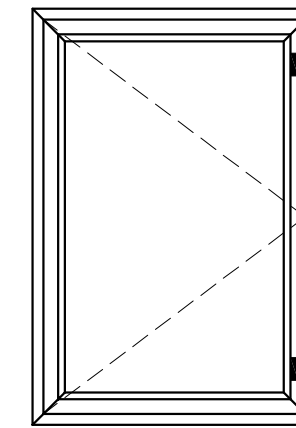
ACET513 & ACET516 Fitting Guide



ACET513
ACET516



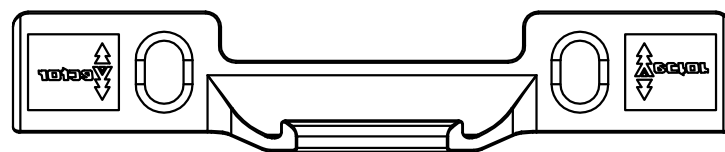
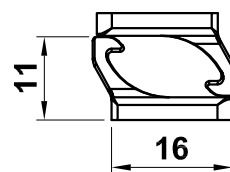
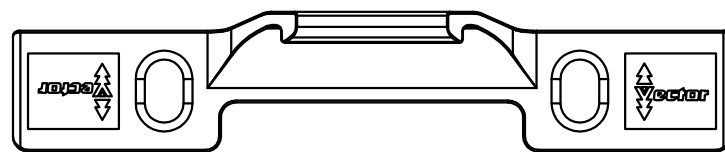
Top Hung



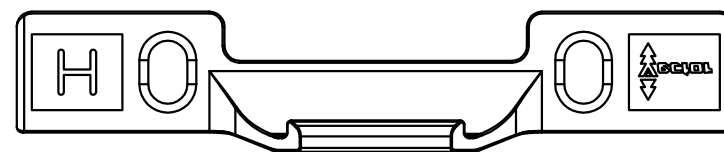
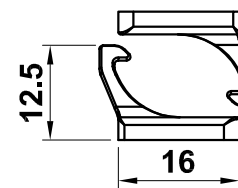
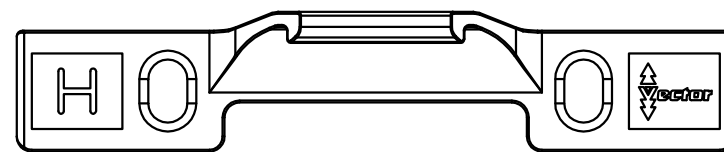
Side Hung

ACET513
ACET516

ACET513
Scale 1:1



ACET516
Scale 1:1

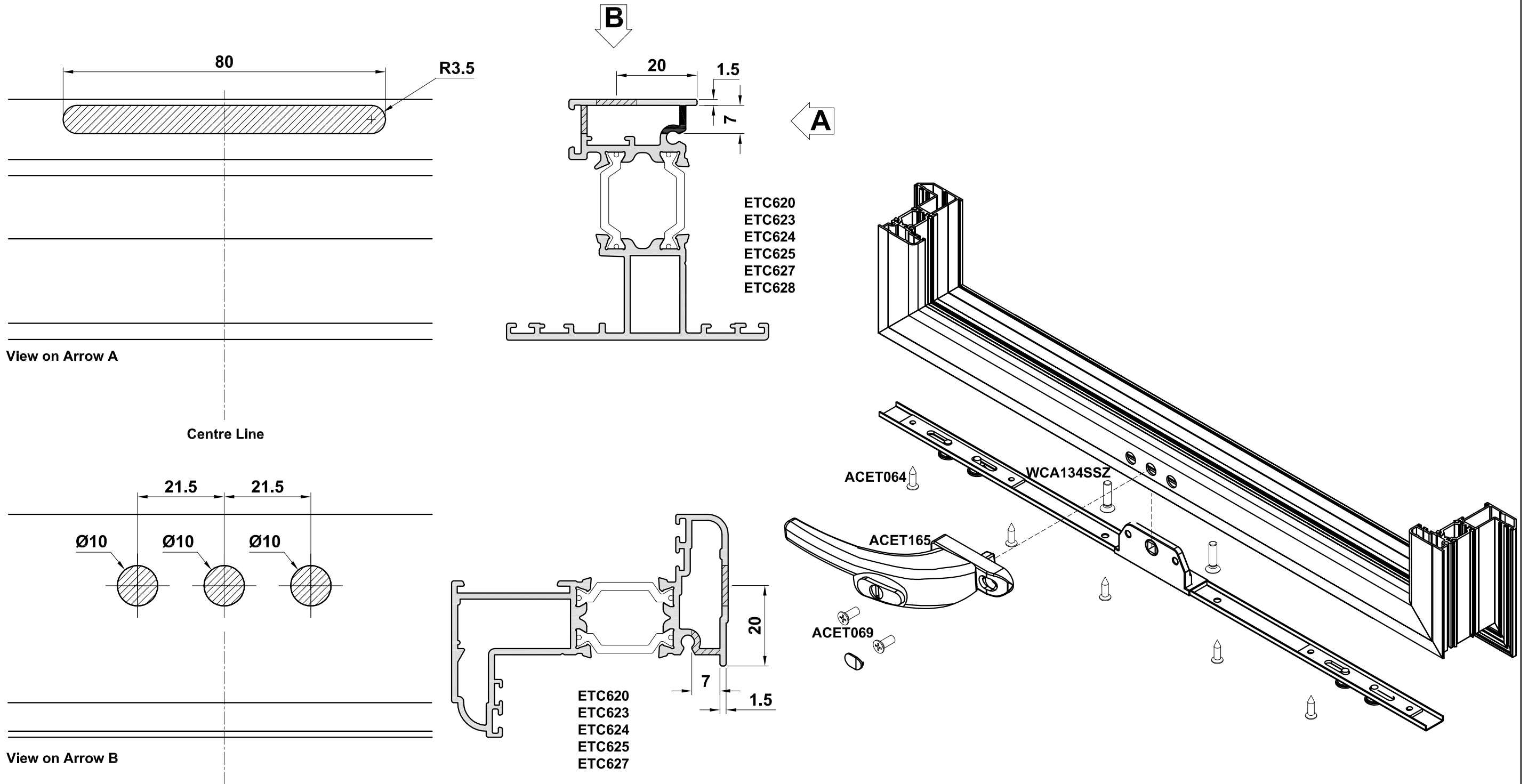


Please Note:

- 2 pairs per opening vent to be fitted to hinged side of window
- Each pair must be fitted with the hook centre within 100mm of each hinge

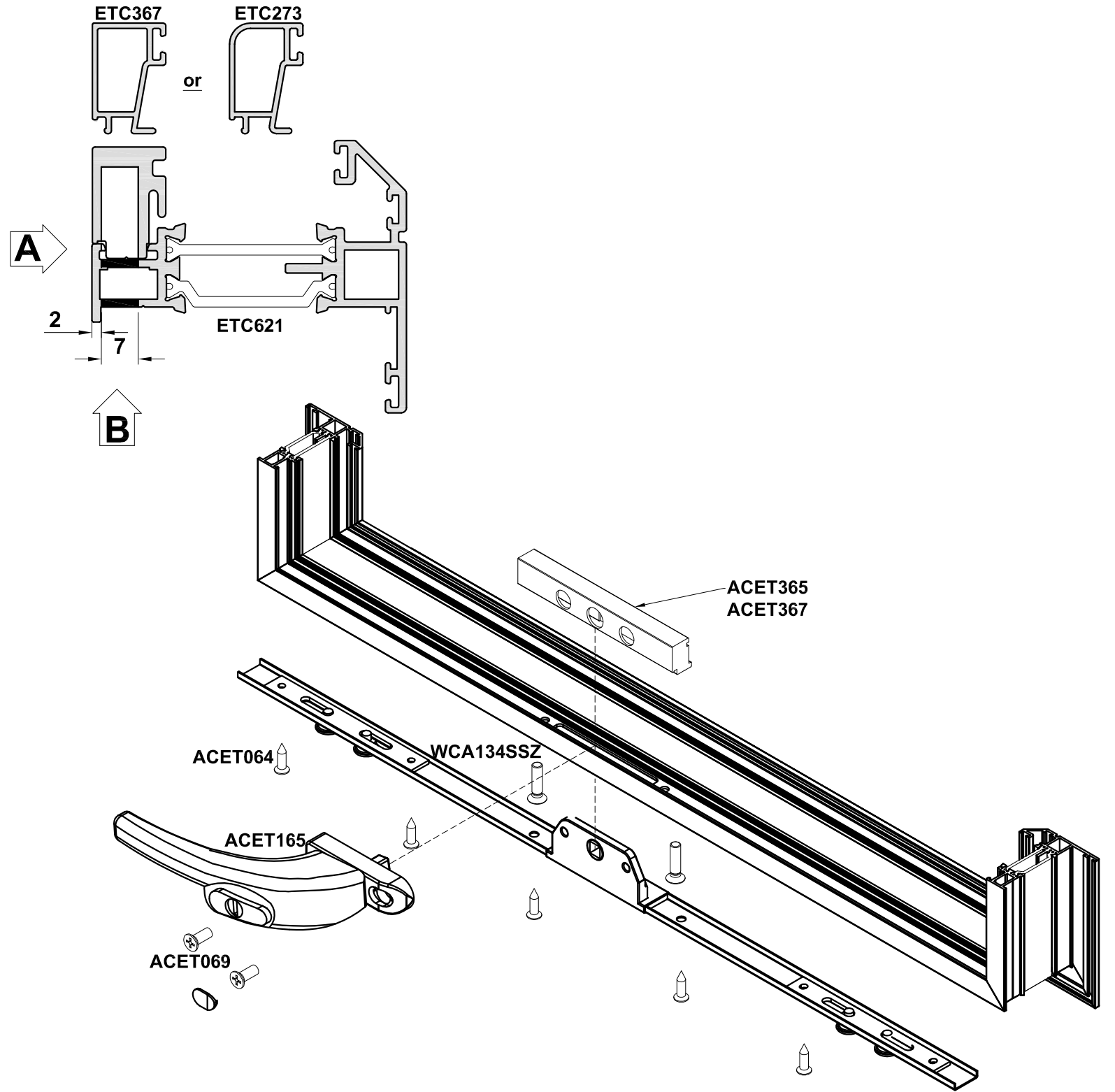
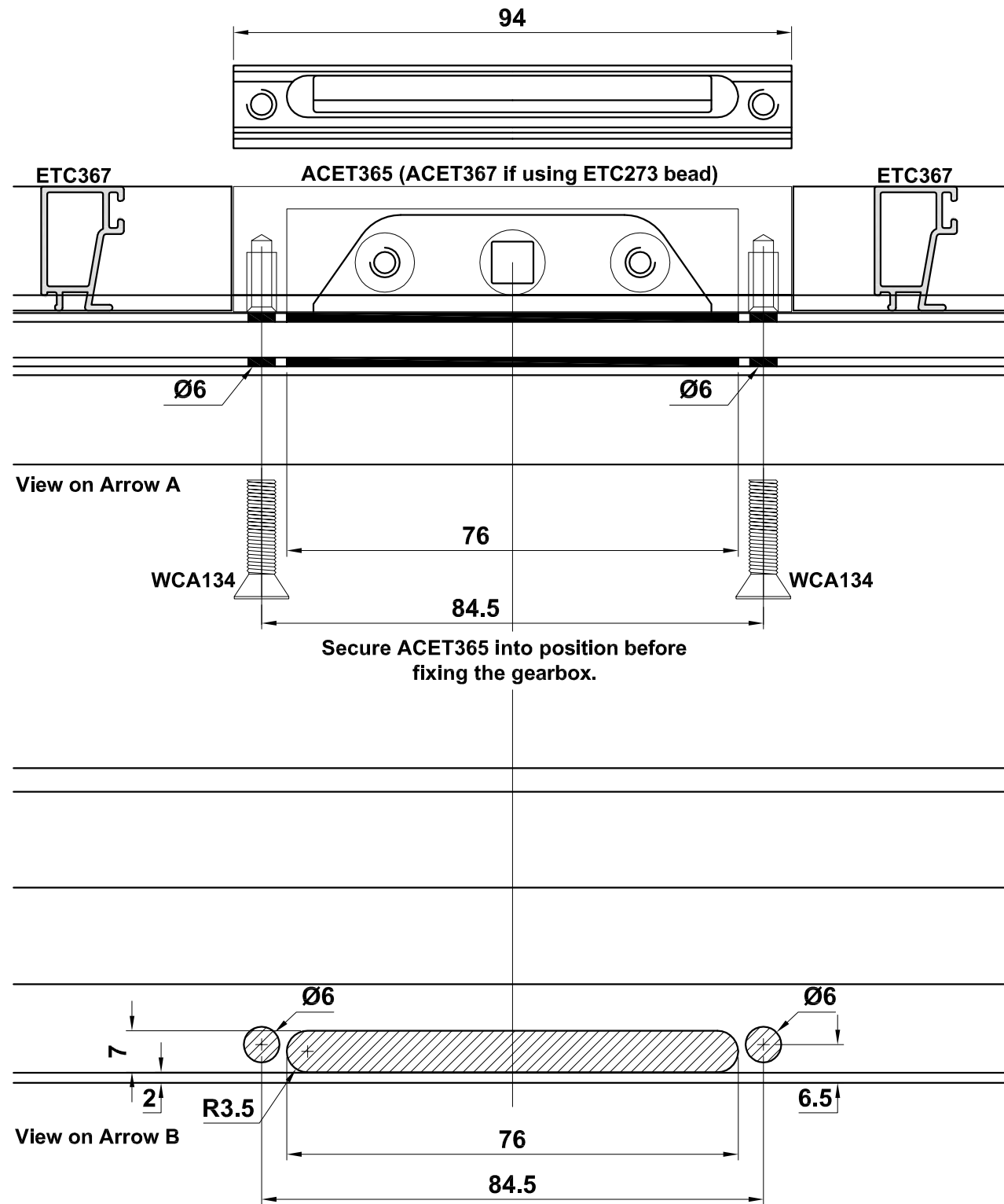
Do Not Scale From This Drawing

Multi-Point Locking Preparation



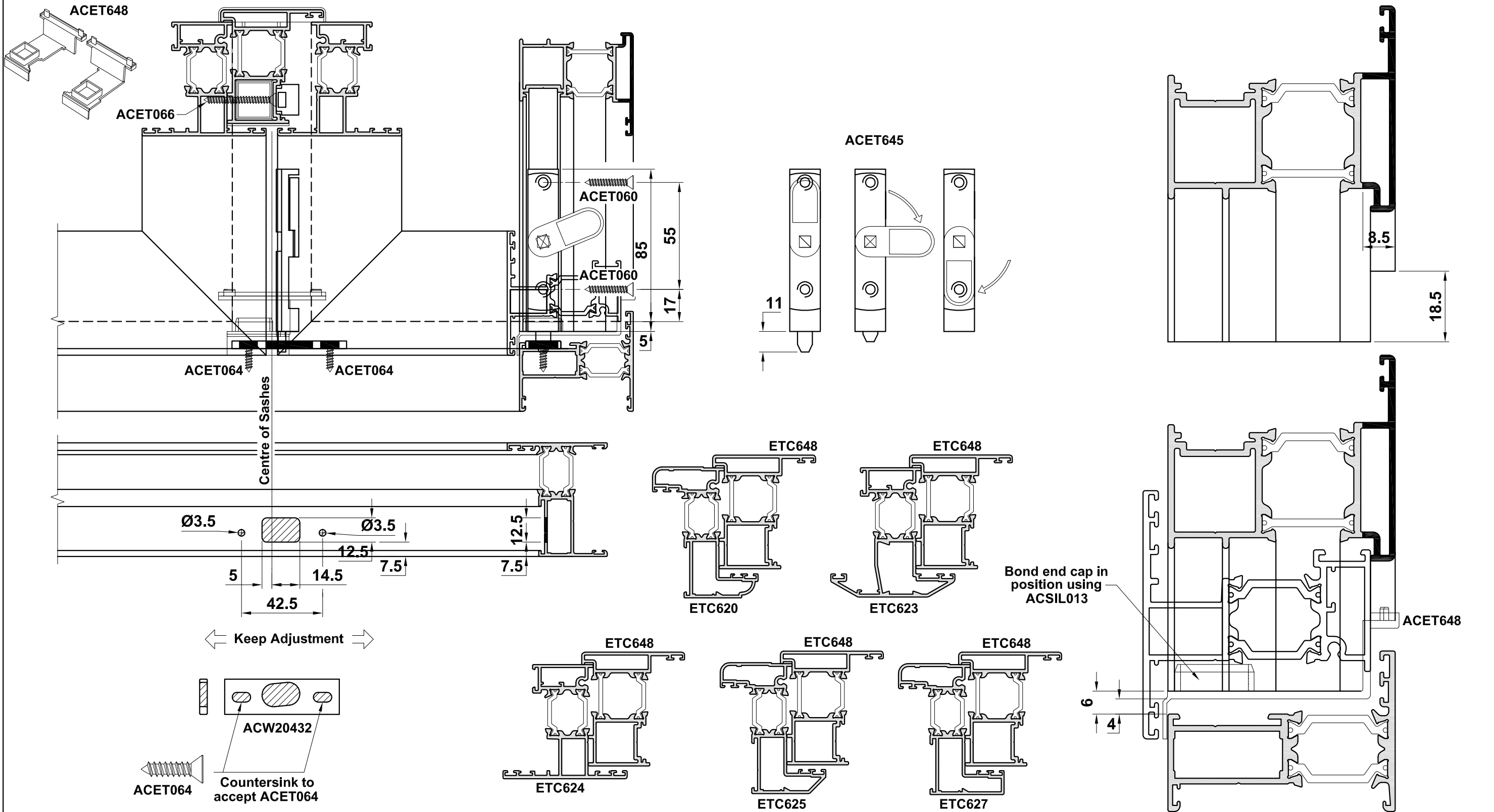
Do Not Scale From This Drawing

Multi-Point Locking Preparation



Do Not Scale From This Drawing

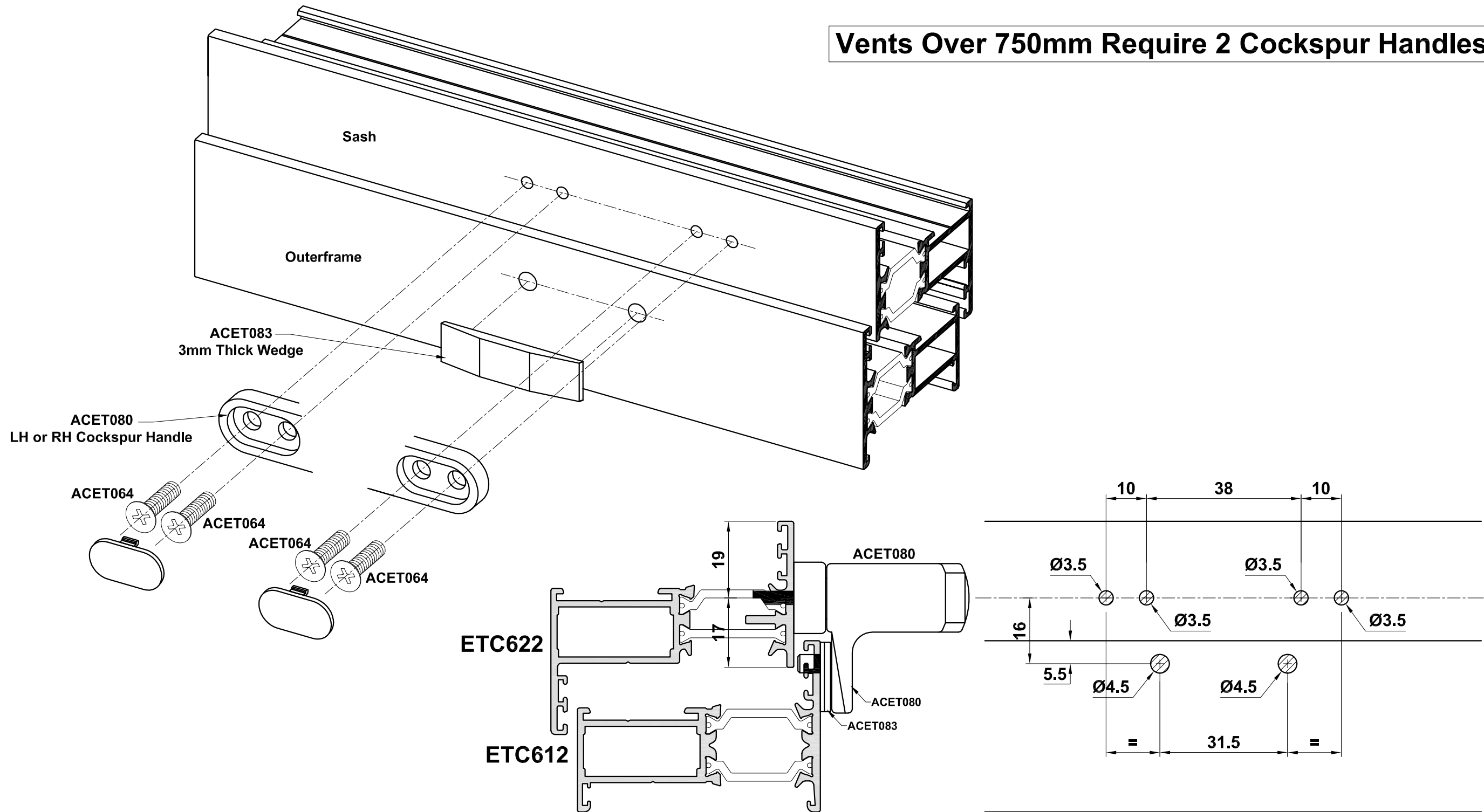
French Casement Detail



Do Not Scale From This Drawing

Cockspur Locking Preparation

Vents Over 750mm Require 2 Cockspur Handles

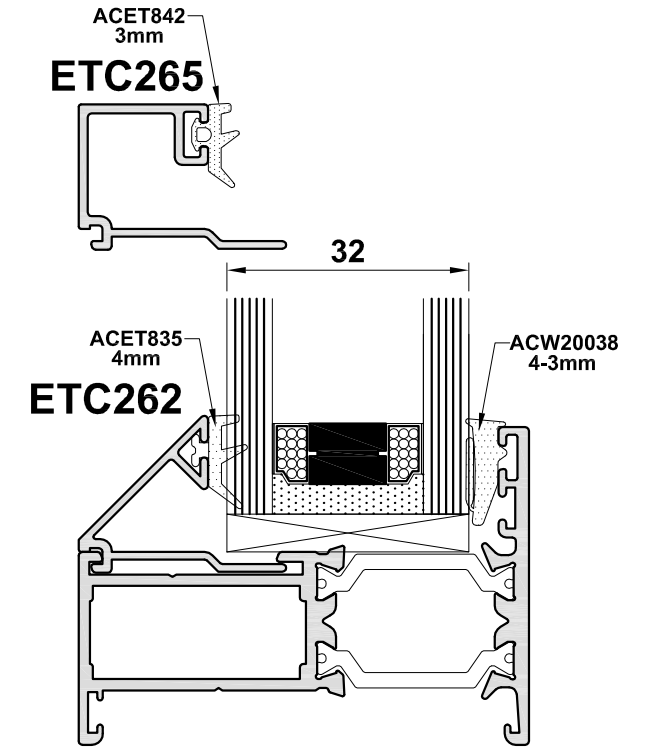
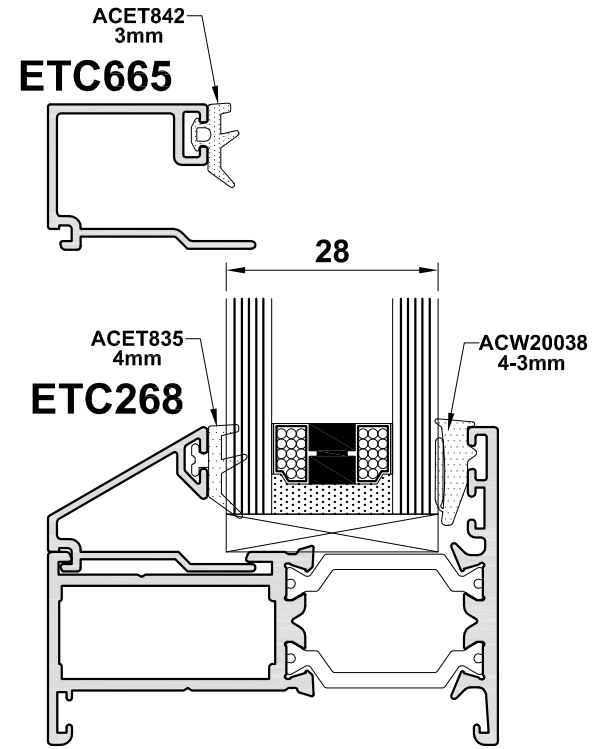
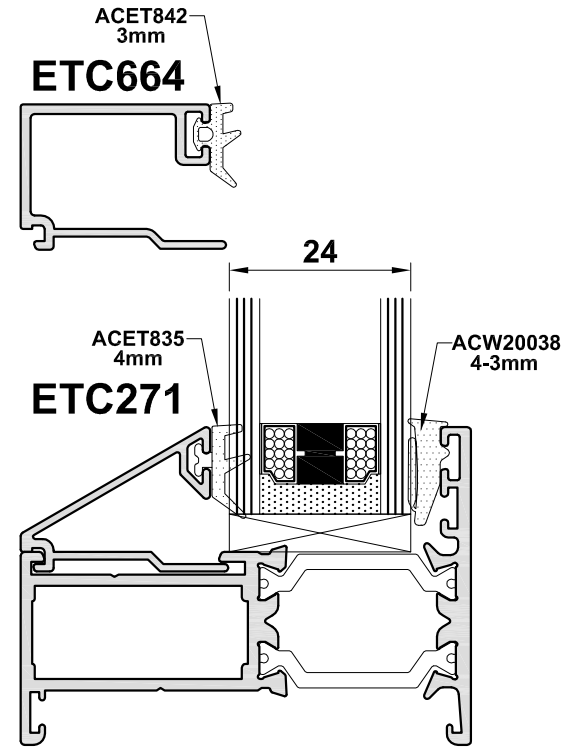


Do Not Scale From This Drawing

Glazing Chart

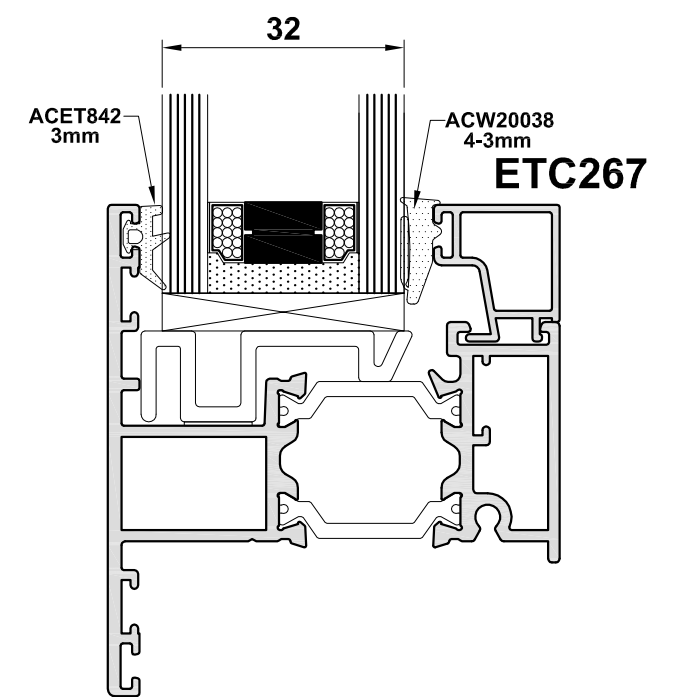
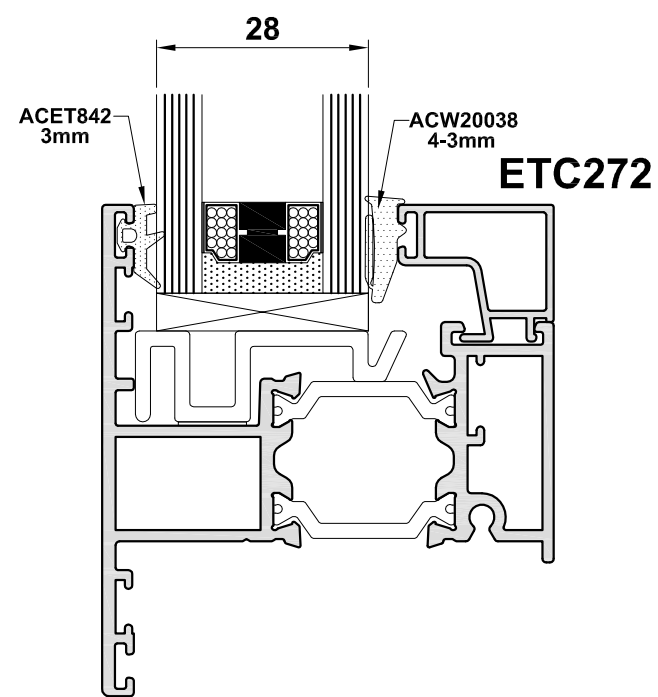
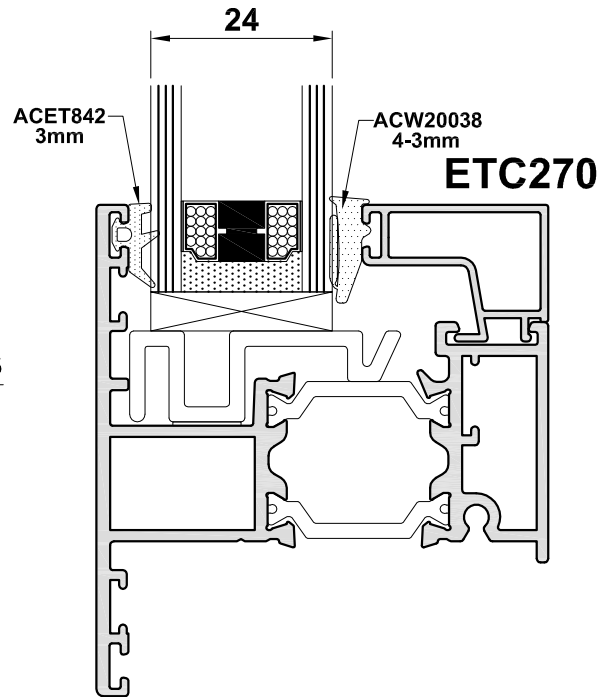
Externally Beaded Sections

- ETC610 ETC620 ETC630
- ETC611 ETC622 ETC631
- ETC612 ETC625 ETC632
- ETC613 ETC627 ETC634
- ETC614 ETC635
- ETC615 ETC636
- ETC616 ETC638
- ETC619 ETC645



Internally Beaded Sections

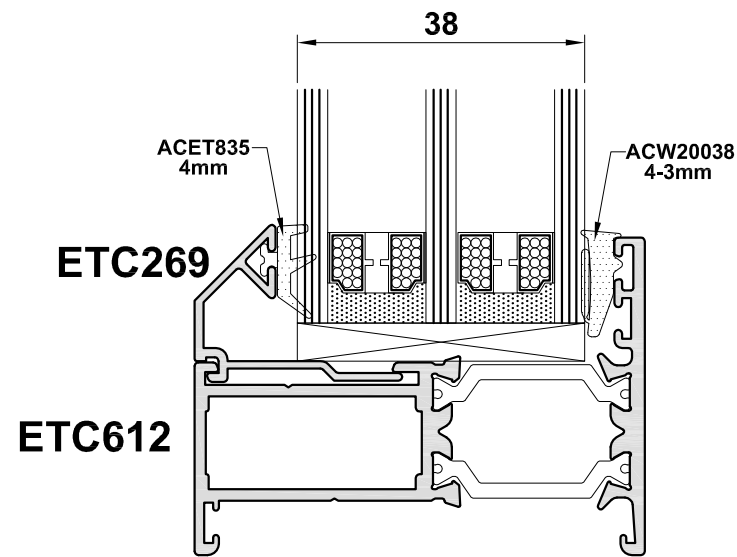
- ETC623
- ETC624
- ETC647



Continued on Page E21

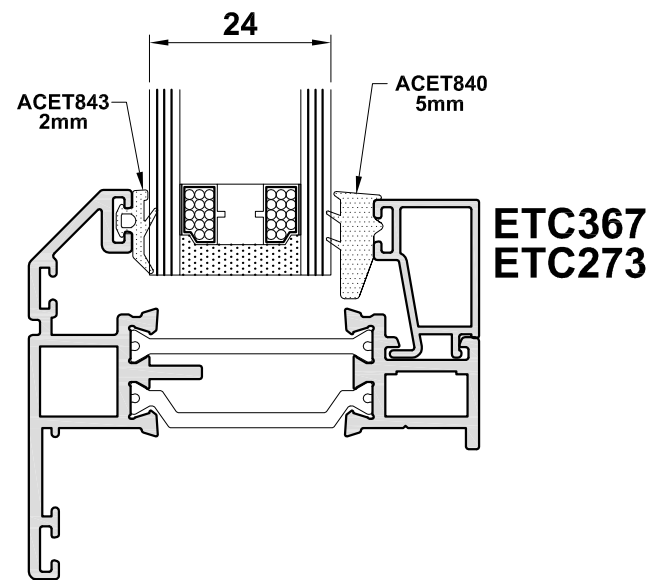
Do Not Scale From This Drawing

Glazing Chart



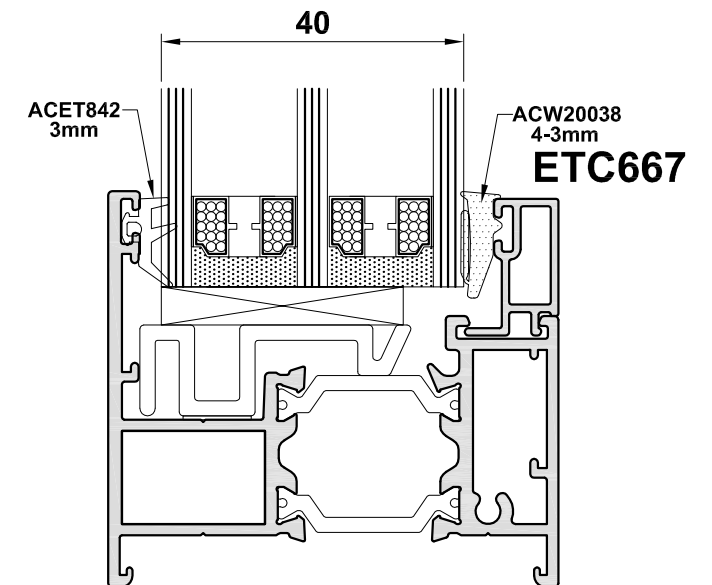
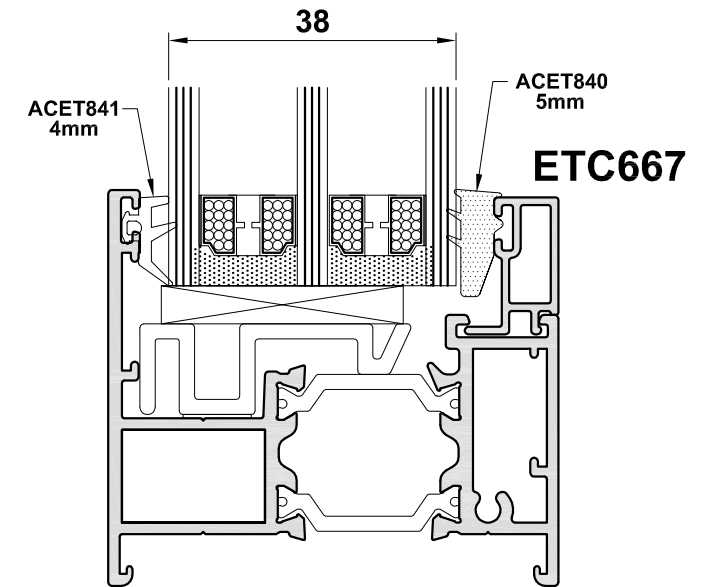
Externally Beaded Sections

- | | | |
|--------|--------|--------|
| ETC610 | ETC620 | ETC630 |
| ETC611 | ETC622 | ETC631 |
| ETC612 | ETC625 | ETC632 |
| ETC613 | ETC627 | ETC634 |
| ETC614 | | ETC635 |
| ETC615 | | ETC636 |
| ETC616 | | ETC638 |
| ETC619 | | ETC645 |



Internally Beaded Section

- ETC621**
24mm ONLY



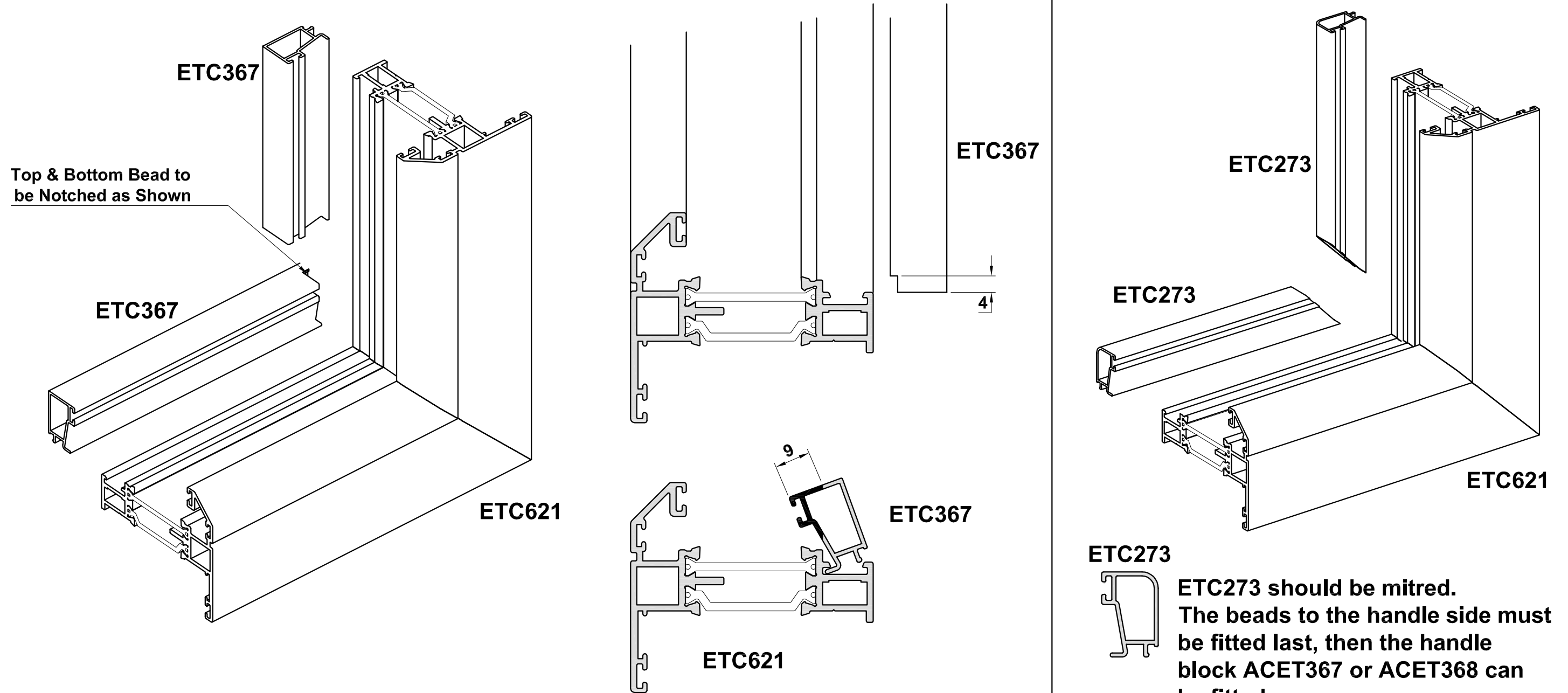
Internally Beaded Sections

- ETC6101**
ETC6301
ETC623
ETC624
ETC628
ETC647

Continued from Page E20

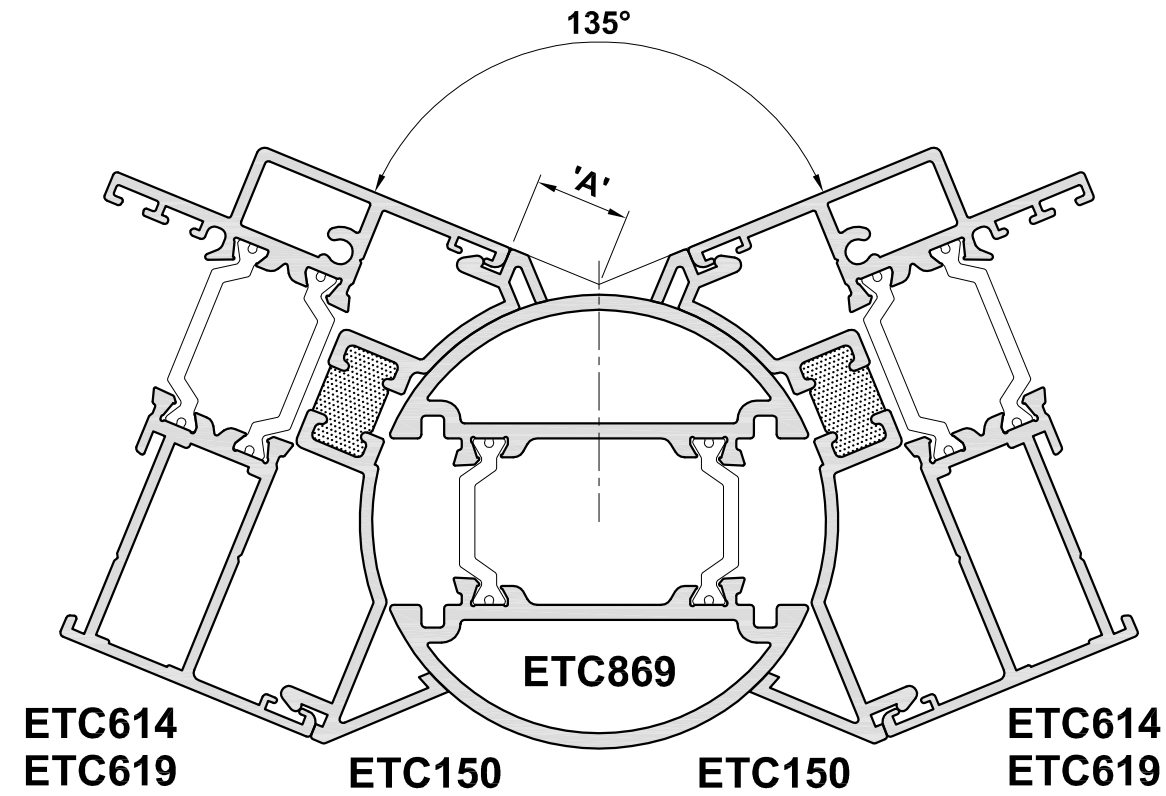
Do Not Scale From This Drawing

ETC367 & ETC273 Bead Preparation



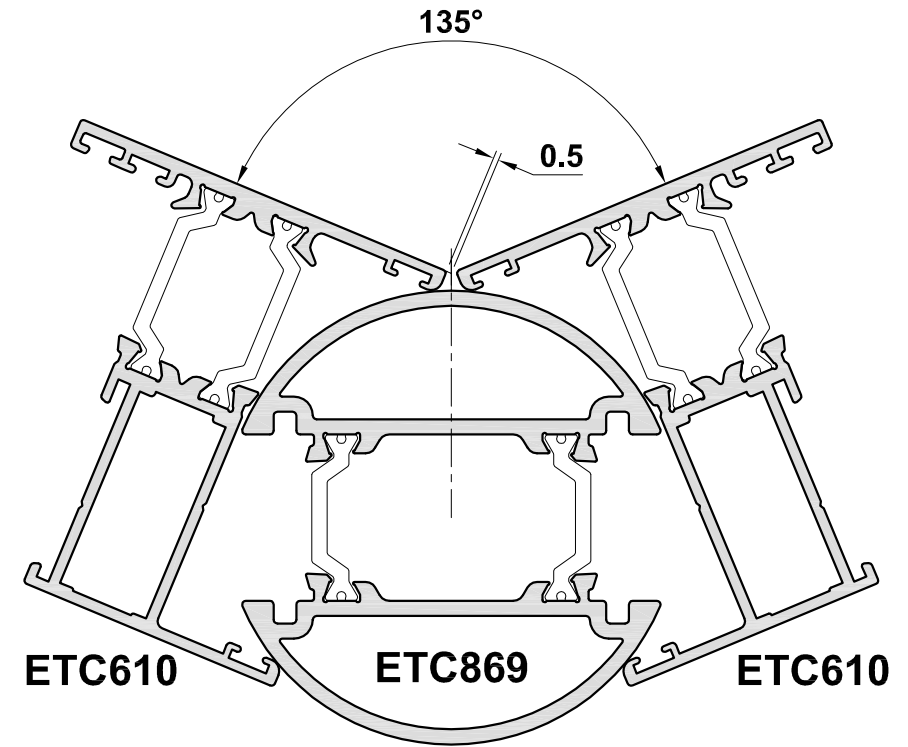
Do Not Scale From This Drawing

Bay Pole Angles/Deductions



ETC150 is NOT available in dual colour

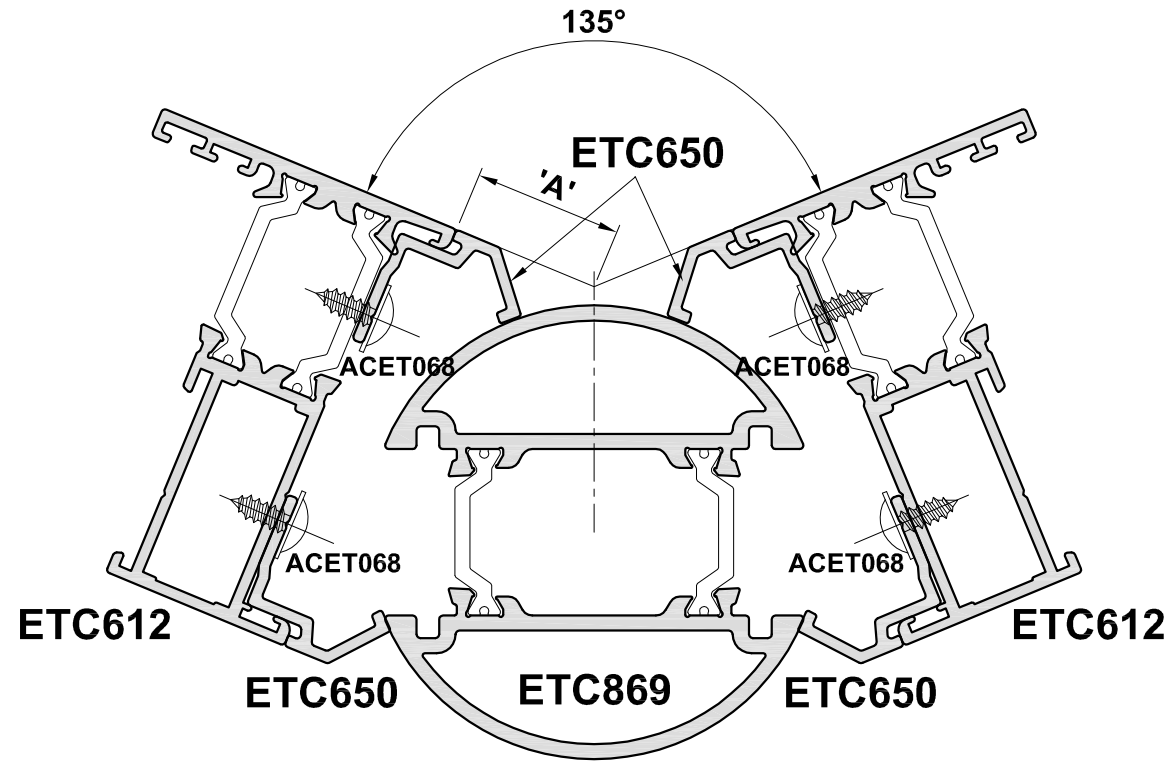
ANGLE	DEDUCTION 'A'
180°	24.5
175°	23.5
170°	22
165°	20.5
160°	19
155°	18
150°	16.5
145°	15
140°	13.5
135°	12
130°	11
125°	9.5
120°	8
115°	6
110°	4.5



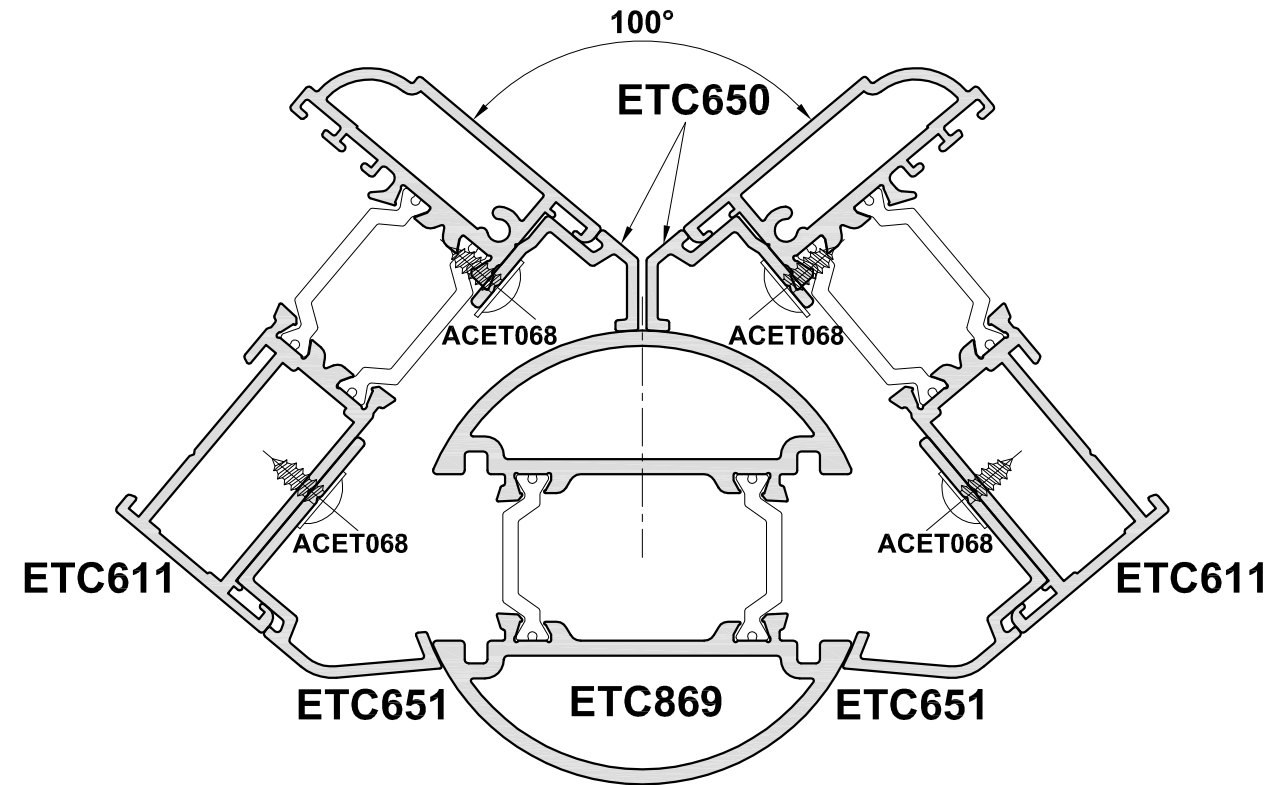
ANGLE	DEDUCTION 'A'
180°	13
175°	11.5
170°	10.5
165°	9
160°	8
155°	6.5
150°	5
145°	3.5
140°	2
135°	0.5

Do Not Scale From This Drawing

Bay Pole Angles/Deductions

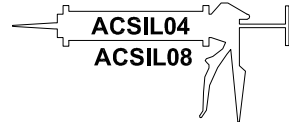
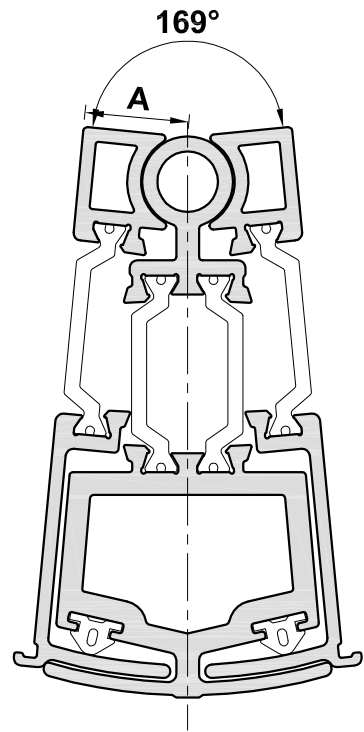


ANGLE	DEDUCTION 'A'
180°	32
175°	30.5
170°	29.5
165°	28.5
160°	27
155°	25.5
150°	24
145°	23
140°	21.5
135°	19.5

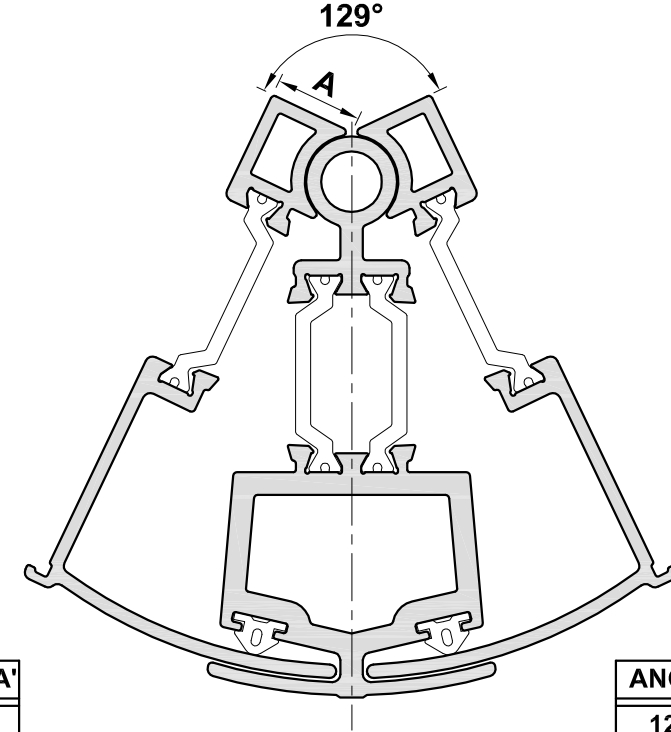
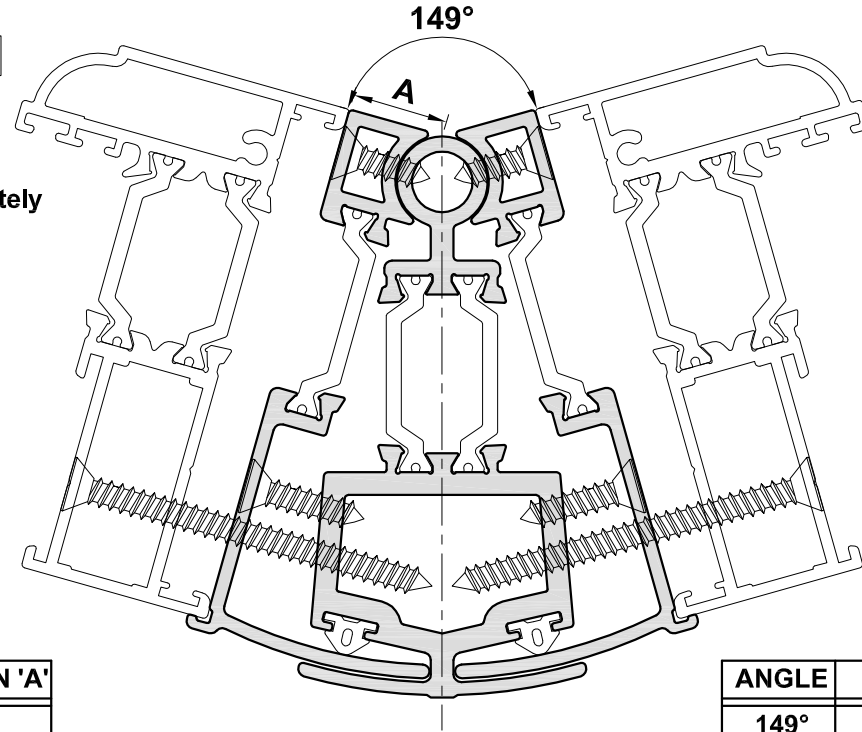


ANGLE	DEDUCTION 'A'
180°	32
175°	30.5
170°	29.5
165°	28
160°	26.5
155°	25.5
150°	24
145°	22.5
140°	21
135°	19.5
130°	18
125°	16.5
120°	14.5
115°	13
110°	11
105°	9
100°	7

70mm Outer Frame Bay Pole Angles/Deductions



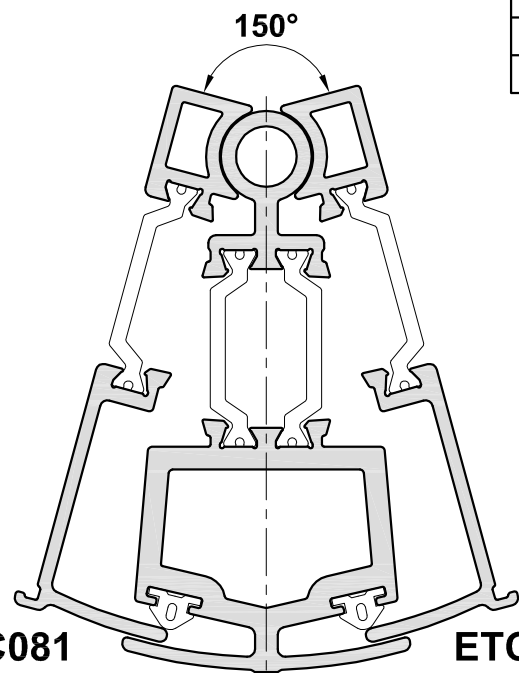
Important Note:
All joints must be adequately sealed using ACSIL04



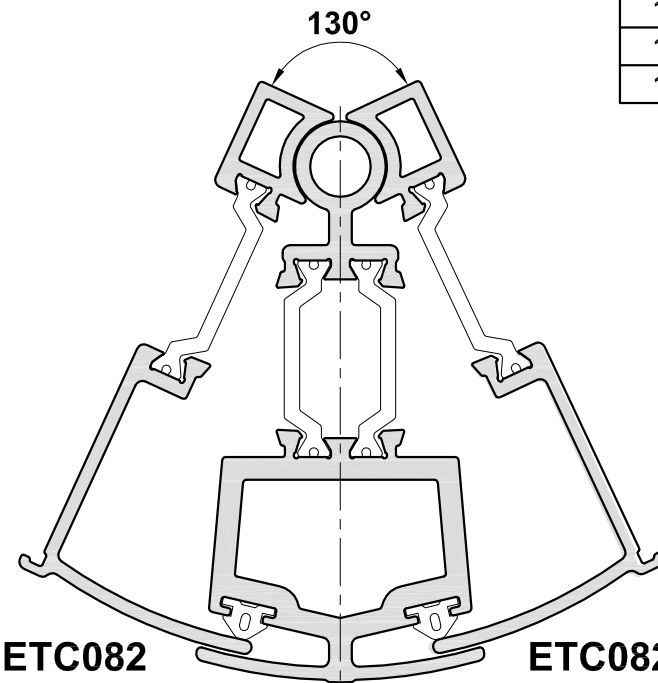
ANGLE	DEDUCTION 'A'
169°	14
165°	13.5
160°	13.6
155°	13
150°	13

ANGLE	DEDUCTION 'A'
149°	12.5
145°	12.5
140°	12
135°	12
130°	11.5

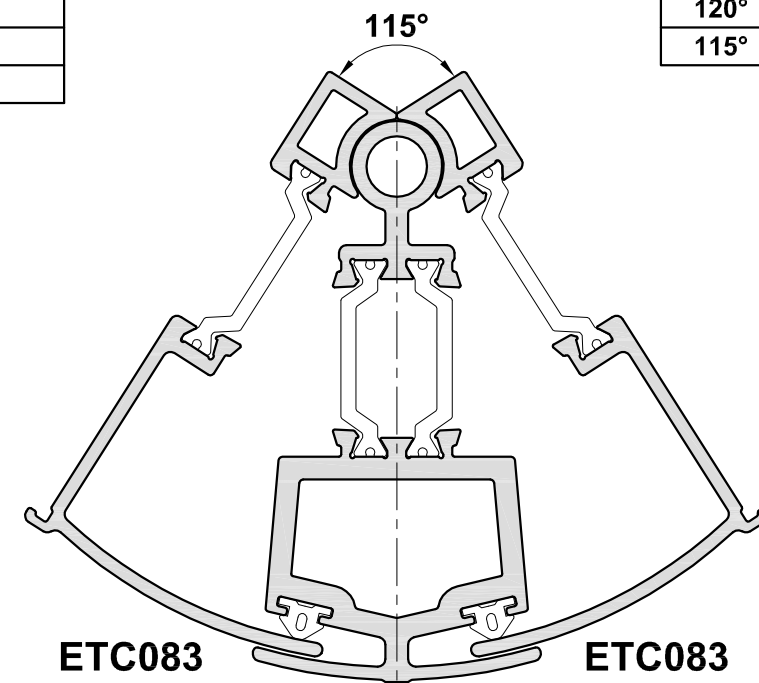
ANGLE	DEDUCTION 'A'
129°	11.5
125°	11.5
120°	11
115°	10.5



ETC081 ETC081
ETC080



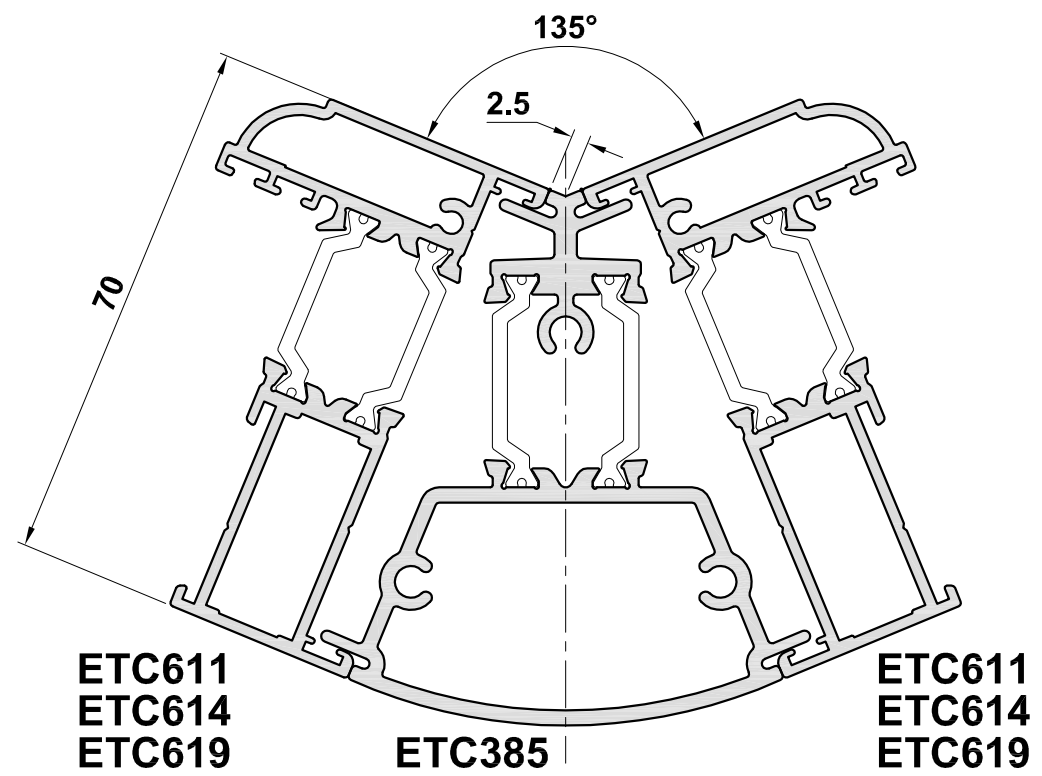
ETC082 ETC082
ETC080



ETC083 ETC083
ETC080

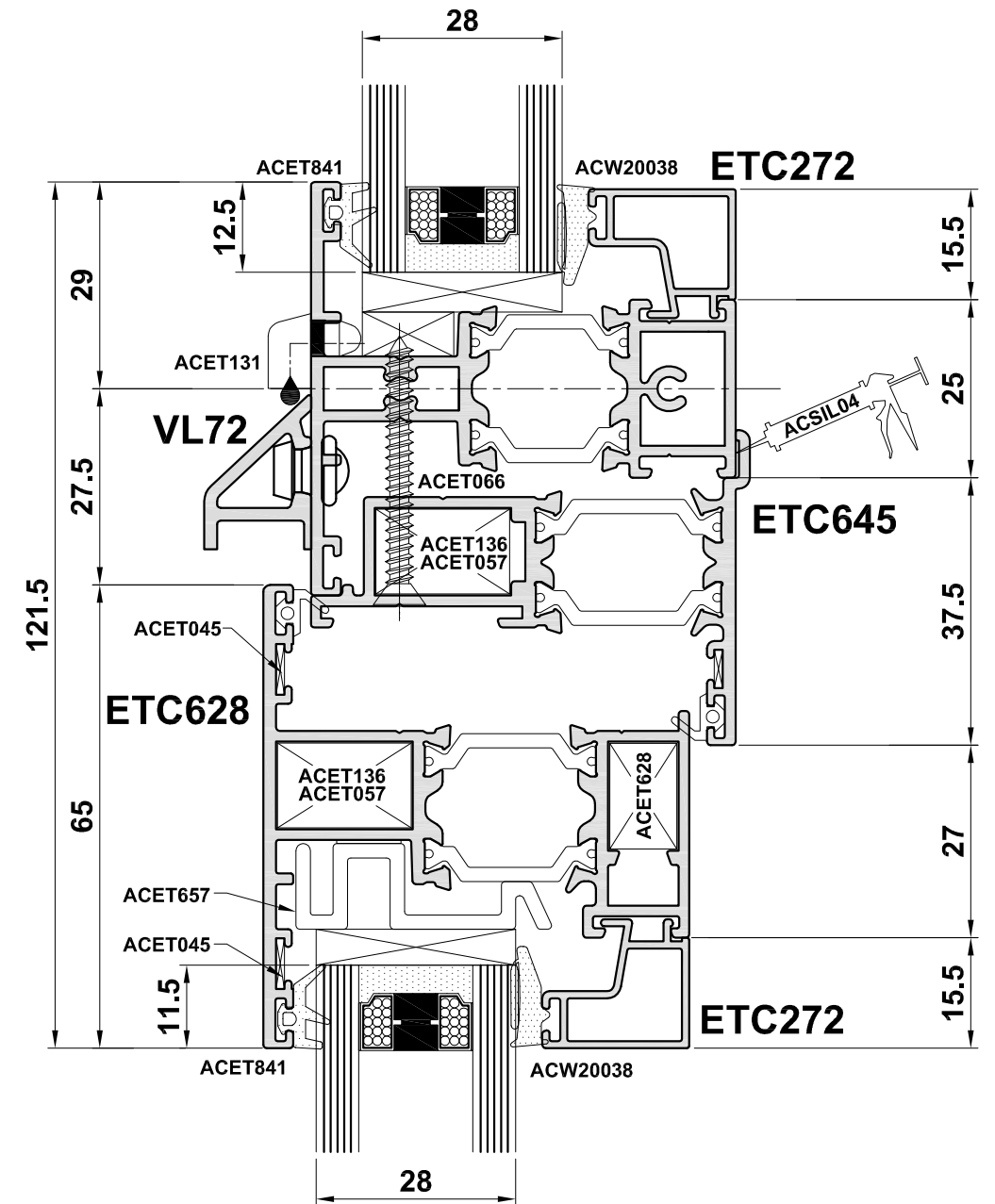
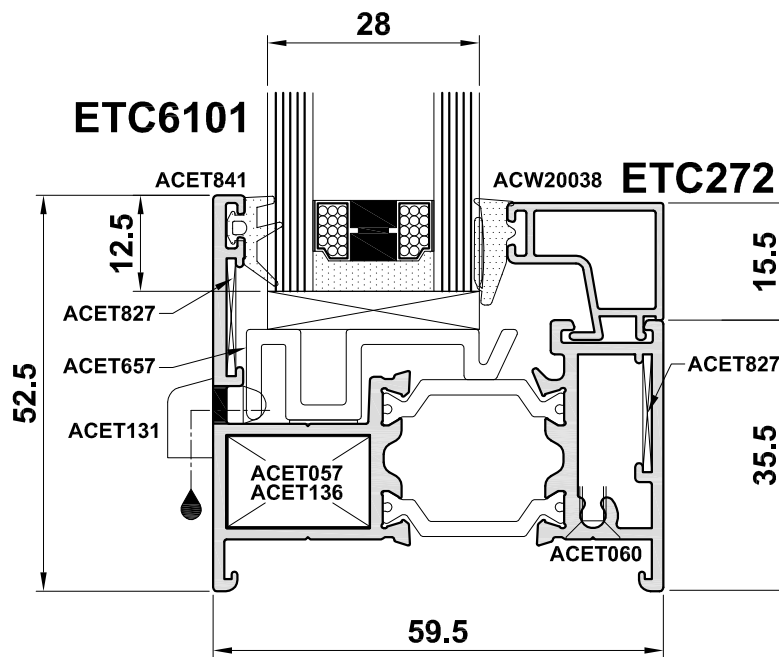
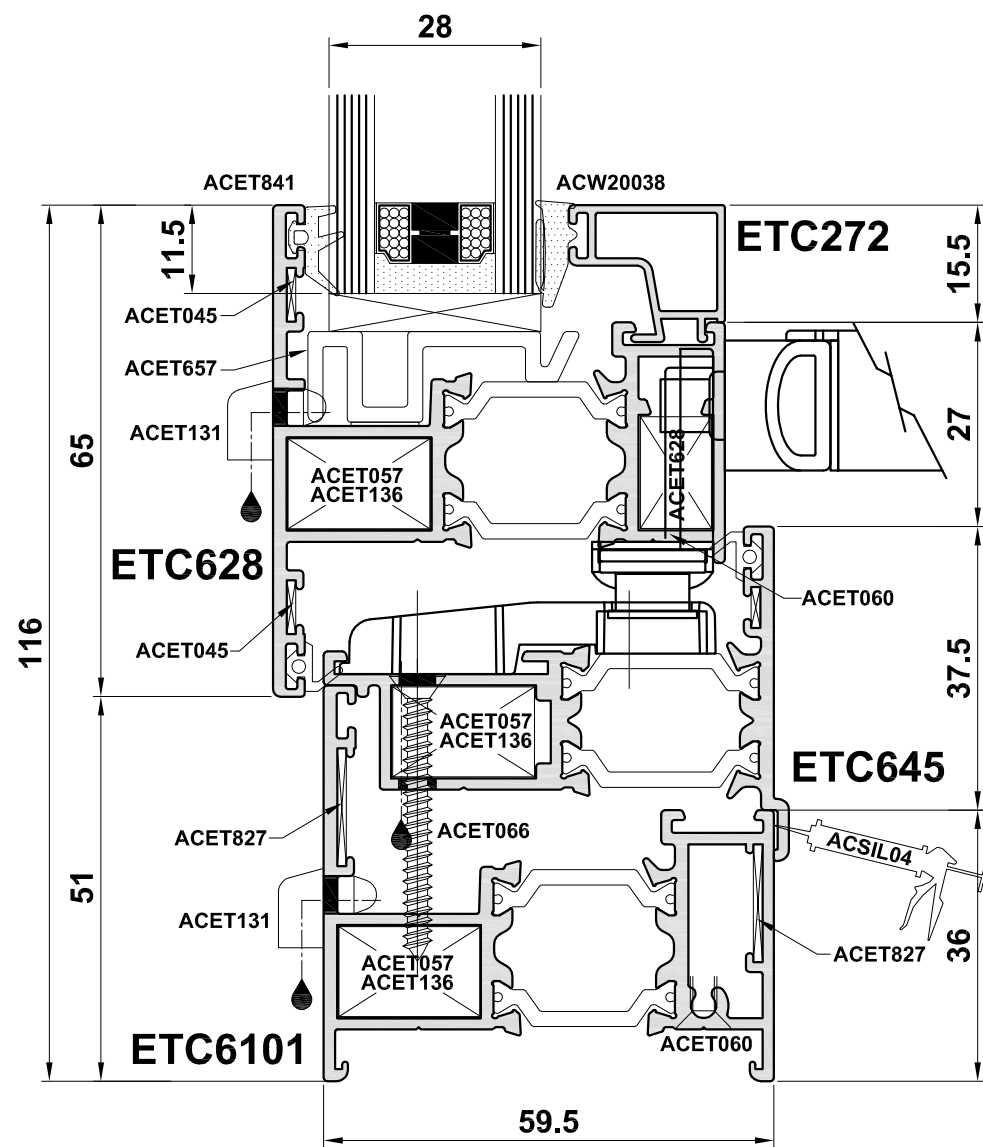
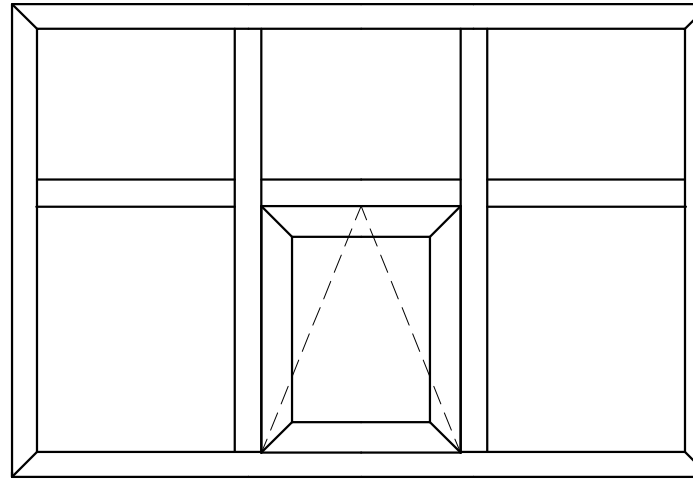
Do Not Scale From This Drawing

ETC385 Bay Pole Deductions



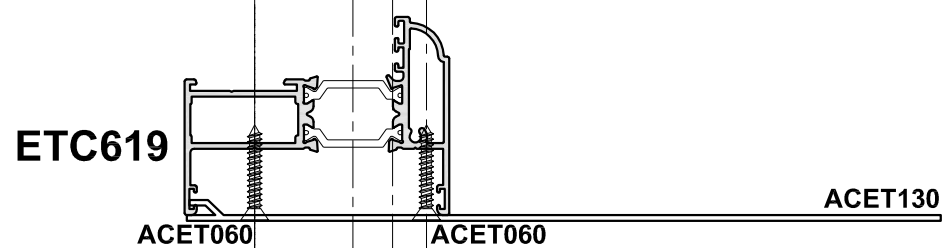
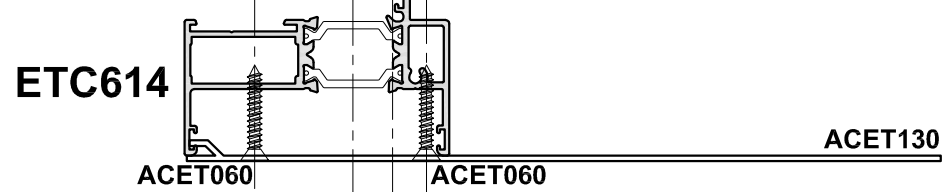
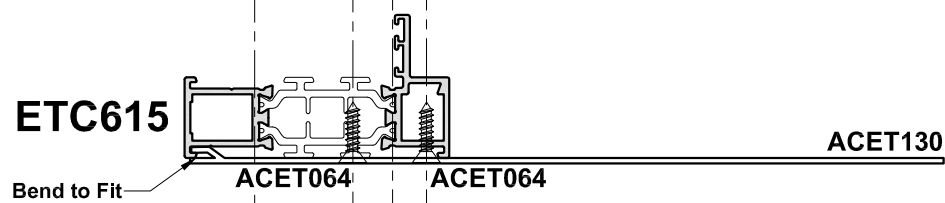
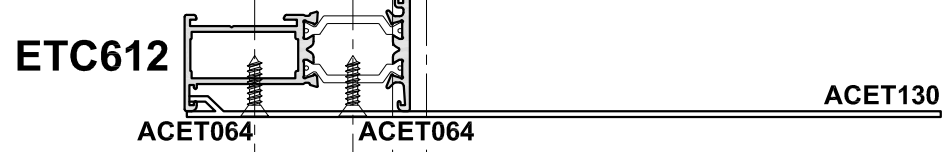
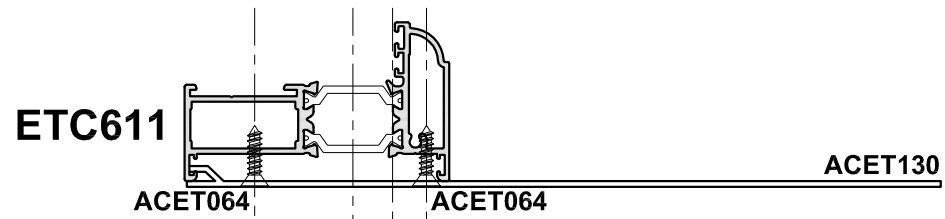
Note: ETC385 cannot be used with ETC615

Internally Glazed Example



Do Not Scale From This Drawing

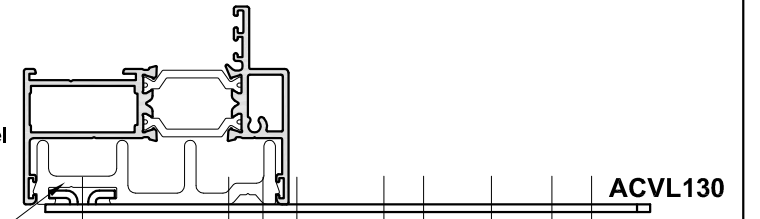
Fixing Strap Guide



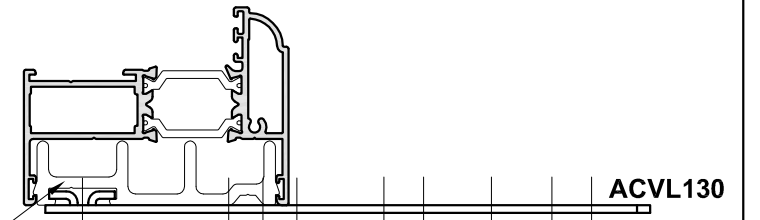
NOTE:
Fixing straps should be spaced a minimum of 150mm in from each end & at a maximum of 300mm apart.

ACUN130
2mm Galvanised Steel

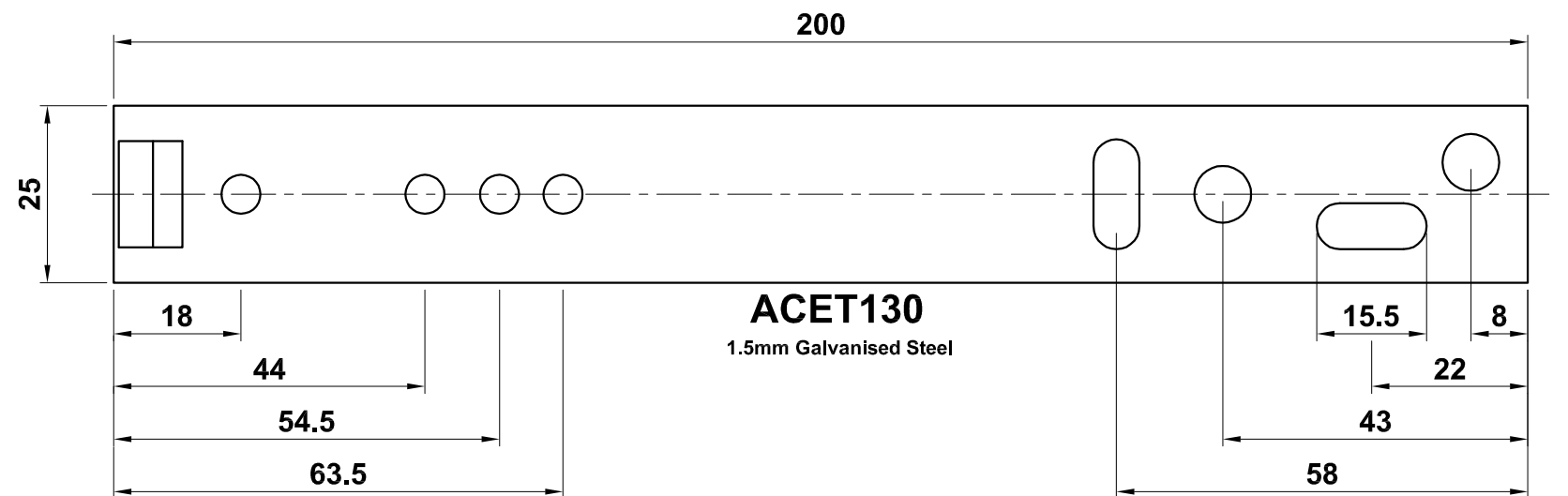
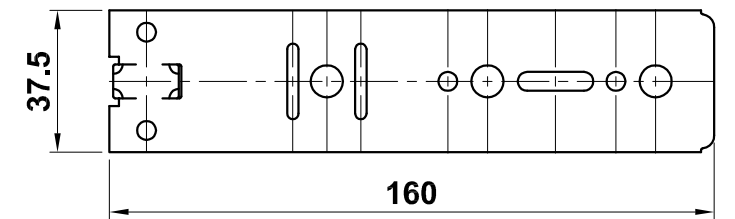
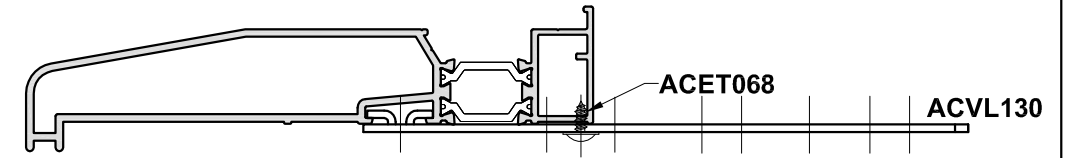
ETC052



ETC052



ETC451
ETC452
ETC457
ETC457
ETC479



Section F

Sawing Tables

Cutting Information



Cutting Information

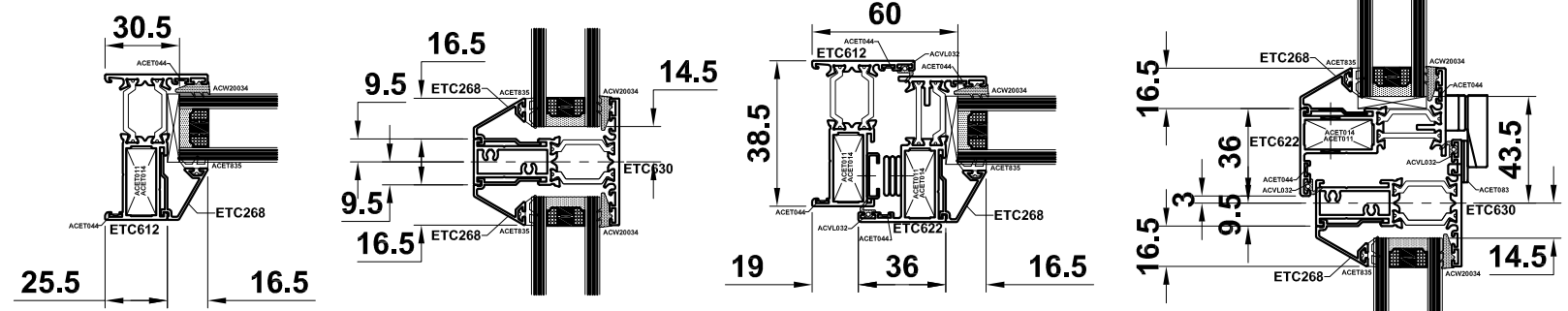
PART DESCRIPTIONS		TYPICAL STYLES															
		①	① ①	①	①	①	①	①	①	①	①	①	①	①	①	①	①
Outer Frame	Head & Cill	W	W	W	W	W	W	W	W	W	W	W	W	W	W	W	W
	Jambs	H	H	H	H	H	H	H	H	H	H	H	H	H	H	H	H
	Transoms		W - 51		W - 51	W - 51	W - 51		OF to €M - 35	W - 51		OF to €M - 35	€M to €M - 19	W - 51	OF to €M - 35	W - 51	
	Mullions							H - 51	H - 51	OF to €T - 22	H - 51	H - 51	H - 51	OF to €T - 22	H - 51		
Vent (1)	Horizontal Components			W - 38	W - 38	W - 38	W - 38	OF to €M - 22	OF to €M - 22	OF to €M - 22	OF to €M - 22	OF to €M - 22	OF to €M - 22	OF to €M - 22	OF to €M - 22	OF to €M - 22	W - 38
	Vertical Components			H - 38	OF to €T - 22	OF to €T - 22	€T to €T - 6	H - 38	H - 38	OF to €T - 22	H - 38	OF to €T - 22	H - 38	OF to €T - 22	OF to €T - 22	OF to €T - 22	OF to €T - 22
Vent (2)	Horizontal Components					W - 38			OF to €M - 22			OF to €M - 22	€M to €M - 6	€M to €M - 6	OF to €M - 22		
	Vertical Components					OF to €T - 22			OF to €T - 22			OF to €T - 22	OF to €T - 22	OF to €T - 22	OF to €T - 22	OF to €T - 22	
Vent (1)	Glass Width			W - 120	W - 120	W - 120	W - 120	OF to €M - 103.5	OF to €M - 103.5	OF to €M - 103.5	OF to €M - 103.5	OF to €M - 103.5	OF to €M - 103.5	OF to €M - 103.5	OF to €M - 103.5	OF to €M - 103.5	W - 120
	Glass Height			H - 120	OF to €T - 103.5	OF to €T - 103.5	€T to €T - 87	H - 120	H - 120	OF to €T - 103.5	H - 120	OF to €T - 103.5	H - 120	OF to €T - 103.5	OF to €T - 103.5	OF to €T - 103.5	OF to €T - 103.5
Vent (2)	Glass Width					W - 120			OF to €M - 103.5			OF to €M - 103.5	€M to €M - 87	€M to €M - 87	OF to €M - 103.5		
	Glass Height					OF to €T - 103.5			OF to €T - 103.5			OF to €T - 103.5	OF to €T - 103.5	OF to €T - 103.5	OF to €T - 103.5	OF to €T - 103.5	
Fixed Panel (1)	Glass Width	W - 61	W - 61		W - 61		W - 61	OF to €M - 45	OF to €M - 45	W - 61	€M to €M - 29	€M to €M - 29	€M to €M - 29	W - 61	OF to €M - 45	W - 61	
	Glass Height	H - 61	OF to €T - 45		OF to €T - 45		OF to €T - 45	H - 61	OF to €T - 45	OF to €T - 45	H - 61	H - 61	OF to €T - 45	OF to €T - 45	H - 61	OF to €T - 45	

LEGEND:

- W = Overall window outer frame width - outside
- H = Overall window outer frame height - outside
- € = Centre line of transom/mullion
- O/F = Extreme edge of outer frame

Sections:

- Outerframe: ETC612
- Sash: ETC622
- Transom/Mullion: ETC630



Do Not Scale From This Drawing

Cutting Information

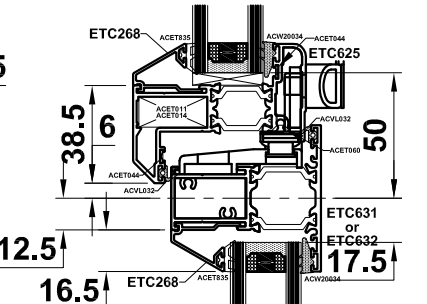
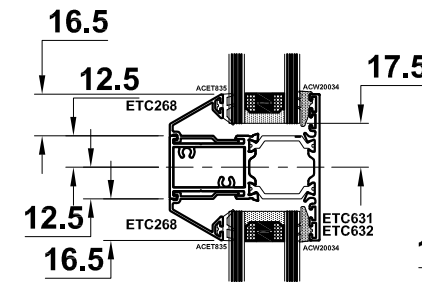
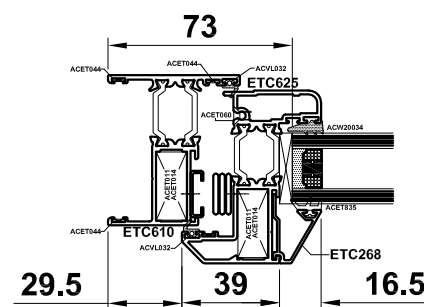
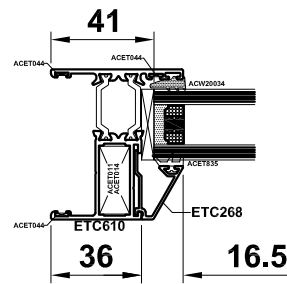
PART DESCRIPTIONS	TYPICAL STYLES	CUTTING INFORMATION															
		①	① ①	①	①	①	①	①	①	①	①	①	①	①	①	①	
Outer Frame	Head & Cill	W	W	W	W	W	W	W	W	W	W	W	W	W	W	W	
	Jambs	H	H	H	H	H	H	H	H	H	H	H	H	H	H	H	
	Transoms		W - 72		W - 72	W - 72	W - 72		OF to €M - 48.5	W - 72		OF to €M - 48.5	€M to €M - 25	W - 72	OF to €M - 48.5	W - 72	
	Mullions							H - 72	H - 72	OF to €T - 35.5	H - 72	H - 72	H - 72	OF to €T - 35.5	H - 72		
Vent (1)	Horizontal Components			W - 59	W - 59	W - 59	W - 59	OF to €M - 35.5	OF to €M - 35.5	OF to €M - 35.5	OF to €M - 35.5	OF to €M - 35.5	OF to €M - 35.5	OF to €M - 35.5	OF to €M - 35.5	W - 59	
	Vertical Components			H - 59	OF to €T - 35.5	OF to €T - 35.5	€T to €T - 12	H - 59	H - 59	OF to €T - 35.5	H - 59	OF to €T - 35.5	H - 59	OF to €T - 35.5	OF to €T - 35.5	OF to €T - 35.5	
Vent (2)	Horizontal Components					W - 59		OF to €M - 35.5				OF to €M - 35.5	€M to €M - 12	€M to €M - 12	OF to €M - 35.5		
	Vertical Components					OF to €T - 35.5		OF to €T - 35.5				OF to €T - 35.5	OF to €T - 35.5	OF to €T - 35.5	OF to €T - 35.5		
Vent (1)	Glass Width			W - 146	W - 146	W - 146	W - 146	OF to €M - 123	OF to €M - 123	OF to €M - 123	OF to €M - 123	OF to €M - 123	OF to €M - 123	OF to €M - 123	OF to €M - 123	W - 146	
	Glass Height			H - 146	OF to €T - 123	OF to €T - 123	€T to €T - 100	H - 146	H - 146	OF to €T - 123	H - 146	OF to €T - 123	H - 146	OF to €T - 123	OF to €T - 123	OF to €T - 123	
Vent (2)	Glass Width					W - 146		OF to €M - 123				OF to €M - 123	€M to €M - 100	€M to €M - 100	OF to €M - 123		
	Glass Height					OF to €T - 123		OF to €T - 123				OF to €T - 123	OF to €T - 123	OF to €T - 123	OF to €T - 123		
Fixed Panel (1)	Glass Width	W - 82	W - 82		W - 82		W - 82	OF to €M - 58.5	OF to €M - 58.5	W - 82	€M to €M - 35	€M to €M - 35	€M to €M - 35	W - 82	OF to €M - 58.5	W - 82	
	Glass Height	H - 82	OF to €T - 58.5		OF to €T - 58.5		OF to €T - 58.5	H - 82	OF to €T - 58.5	OF to €T - 58.5	H - 82	H - 82	OF to €T - 58.5	OF to €T - 58.5	H - 82	OF to €T - 58.5	

LEGEND:

- W = Overall window outer frame width - outside
- H = Overall window outer frame height - outside
- € = Centre line of transom/mullion
- O/F = Extreme edge of outer frame

Sections:

Outerframe:	ETC610
	ETC614
	ETC619
Sash:	ETC620
	ETC625
Transom/Mullion:	ETC631
	ETC632



Do Not Scale From This Drawing

Cutting Information

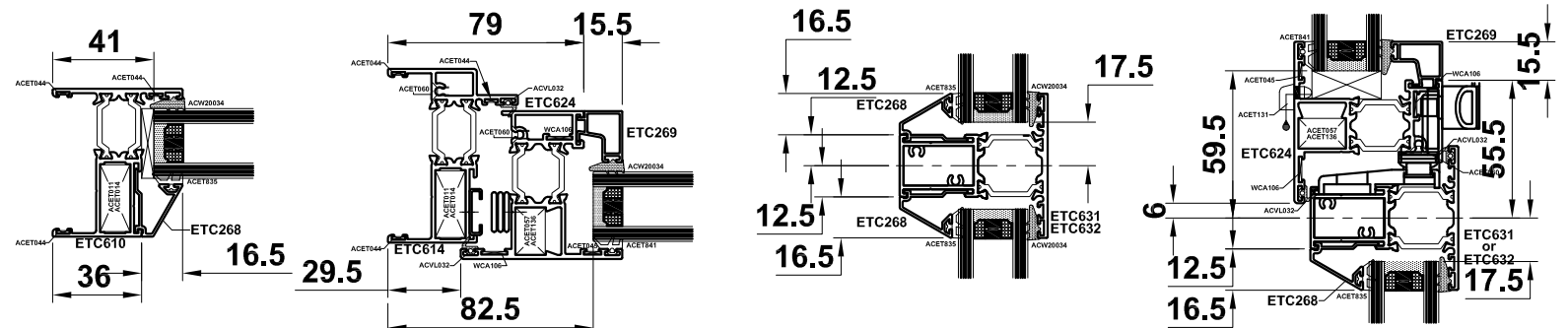
PART DESCRIPTIONS		TYPICAL STYLES															
Outer Frame	Head & Cill	W	W	W	W	W	W	W	W	W	W	W	W	W	W	W	
	Jambs	H	H	H	H	H	H	H	H	H	H	H	H	H	H	H	
	Transoms		W - 72		W - 72	W - 72	W - 72		OF to €M - 48.5	W - 72		OF to €M - 48.5	€M to €M - 25	W - 72	OF to €M - 48.5	W - 72	
	Mullions							H - 72	H - 72	OF to €T - 35.5	H - 72	H - 72	H - 72	OF to €T - 35.5	H - 72		
Vent (1)	Horizontal Components			W - 59	W - 59	W - 59	W - 59	OF to €M - 35.5	OF to €M - 35.5	OF to €M - 35.5	OF to €M - 35.5	OF to €M - 35.5	OF to €M - 35.5	OF to €M - 35.5	OF to €M - 35.5	W - 59	
	Vertical Components			H - 59	OF to €T - 35.5	OF to €T - 35.5	€T to €T - 12	H - 59	H - 59	OF to €T - 35.5	H - 59	OF to €T - 35.5	H - 59	OF to €T - 35.5	OF to €T - 35.5	OF to €T - 35.5	
Vent (2)	Horizontal Components					W - 59		OF to €M - 35.5				OF to €M - 35.5	€M to €M - 12	€M to €M - 12	OF to €M - 35.5		
	Vertical Components					OF to €T - 35.5		OF to €T - 35.5				OF to €T - 35.5	OF to €T - 35.5	OF to €T - 35.5	OF to €T - 35.5		
Vent (1)	Glass Width			W - 165	W - 165	W - 165	W - 165	OF to €M - 142	OF to €M - 142	OF to €M - 142	OF to €M - 142	OF to €M - 142	OF to €M - 142	OF to €M - 142	OF to €M - 142	W - 165	
	Glass Height			H - 165	OF to €T - 142	OF to €T - 142	€T to €T - 119	H - 165	H - 165	OF to €T - 142	H - 165	OF to €T - 142	H - 165	OF to €T - 142	OF to €T - 142	OF to €T - 142	
Vent (2)	Glass Width					W - 165		OF to €M - 142				OF to €M - 142	€M to €M - 119	€M to €M - 119	OF to €M - 142		
	Glass Height					OF to €T - 142		OF to €T - 142				OF to €T - 142	OF to €T - 142	OF to €T - 142	OF to €T - 142		
Fixed Panel (1)	Glass Width	W - 82	W - 82		W - 82		W - 82	OF to €M - 58.5	OF to €M - 58.5	W - 82	€M to €M - 35	€M to €M - 35	€M to €M - 35	W - 82	OF to €M - 58.5	W - 82	
	Glass Height	H - 82	OF to €T - 58.5		OF to €T - 58.5		OF to €T - 58.5	H - 82	OF to €T - 58.5	OF to €T - 58.5	H - 82	H - 82	OF to €T - 58.5	OF to €T - 58.5	H - 82	OF to €T - 58.5	

LEGEND:

- W = Overall window outer frame width - outside
- H = Overall window outer frame height - outside
- € = Centre line of transom/mullion
- O/F = Extreme edge of outer frame

Sections:

- Outerframe: ETC610, ETC614, ETC619
- Sash: ETC623, ETC624
- Transom/Mullion: ETC631, ETC632



Do Not Scale From This Drawing

SAWING TABLES : CUTTING INFORMATION	